

SAW Filter 465.1375MHz
Part No: MA04074

Model: TA0266A
Rev No: 1

A. MAXIMUM RATING:

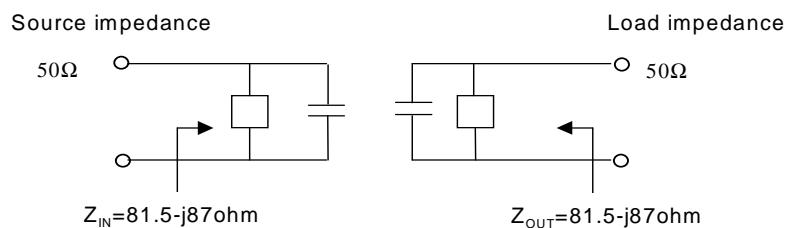
1. Input Power Level: 0dBm
2. DC voltage: 10V
3. Operating Temperature: -10°C to +50°C
4. Storage Temperature: -40°C to +85°C

B. ELECTRICAL CHARACTERISTICS:

Item	Min.	Typ.	Max.
Center frequency Fc (dB)	-	465.1375	-
Insertion loss (Fc ± 2.5875MHz) IL (dB)	-	-	4.0
Amplitude ripple (Fc ± 2.5875MHz) (dB)	-	-	2.0
Attenuation (Reference level from 0dB)			
365.1375 ~ 424.3375MHz (dB)	50	-	-
451.5 ~ 457.0MHz (dB)	15	-	-
495.1375 ~ 565.1375MHz (dB)	50	-	-
Source impedance Z _S (Ω)	-	81.5-j87	-
Load impedance Z _L (Ω)	-	81.5-j87	-

Note 1: The standard definitions is in JIS C 6703

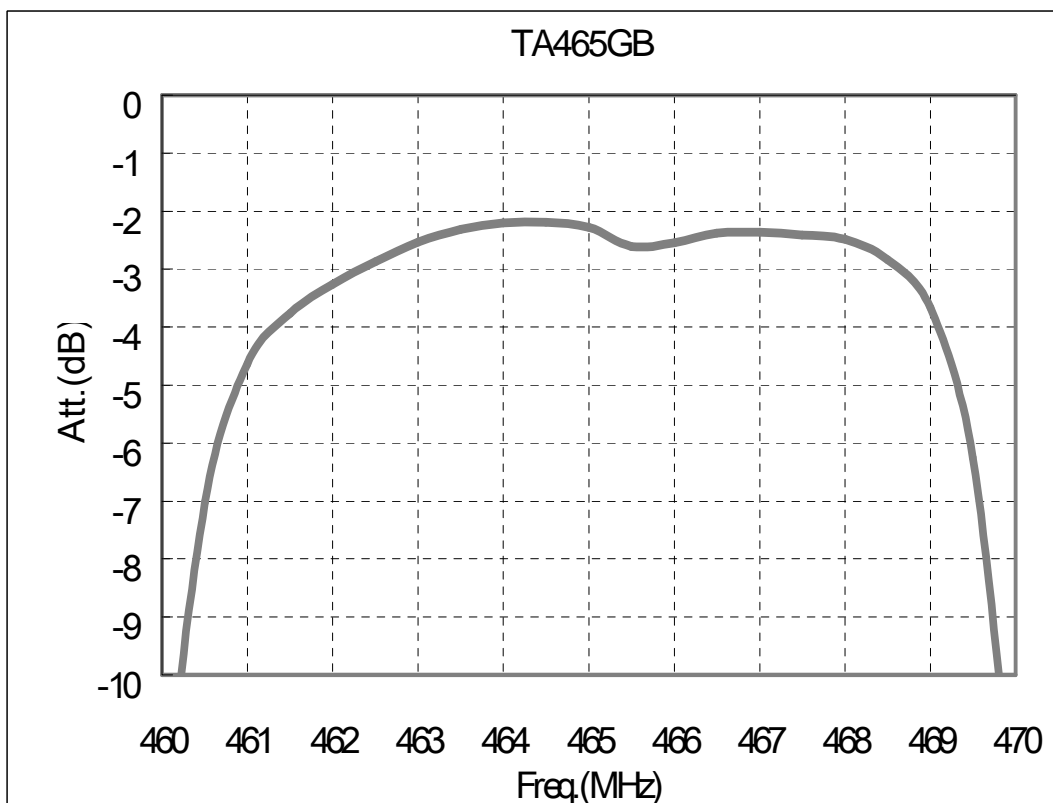
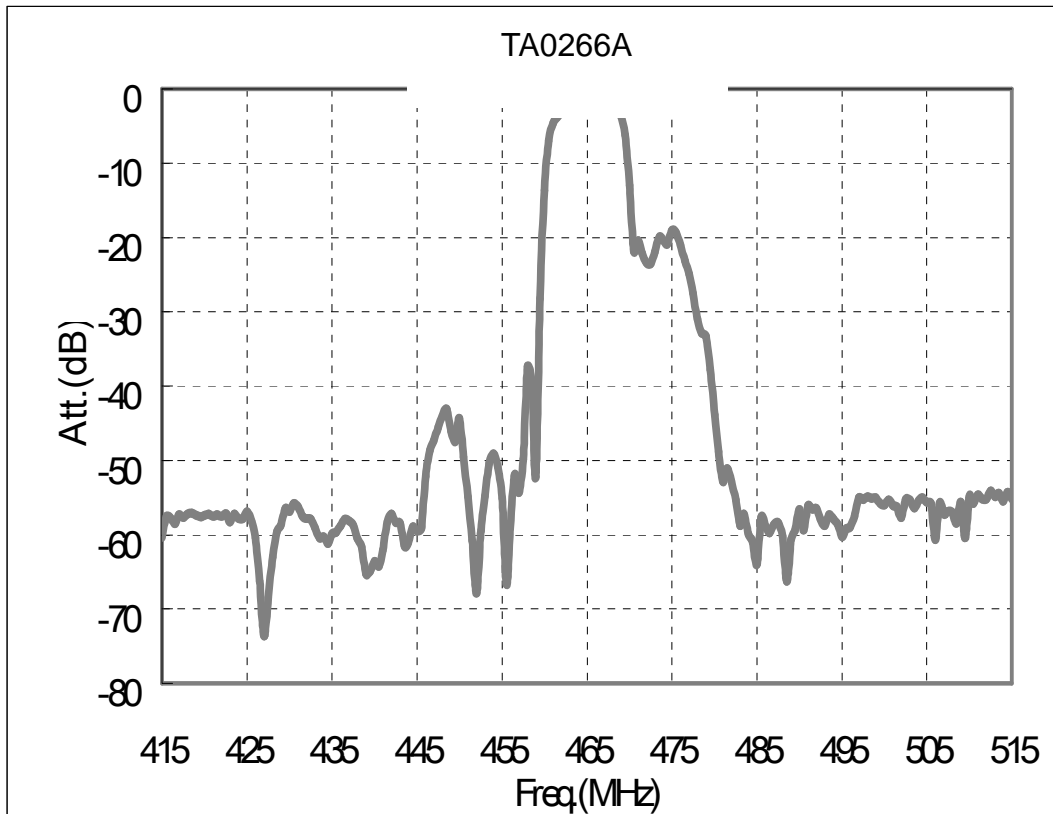
Note 2:



SAW Filter 465.1375MHz
Part No: MA04074

Model: TA0266A
Rev No: 1

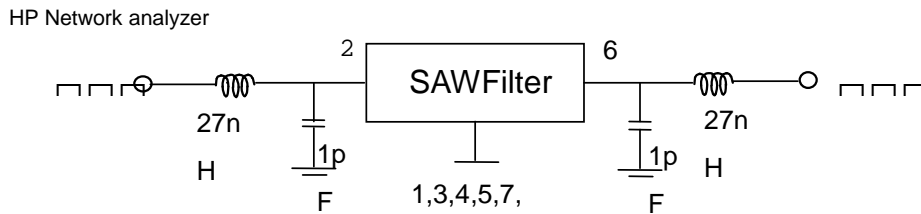
C. FREQUENCY CHARACTERISTICS:



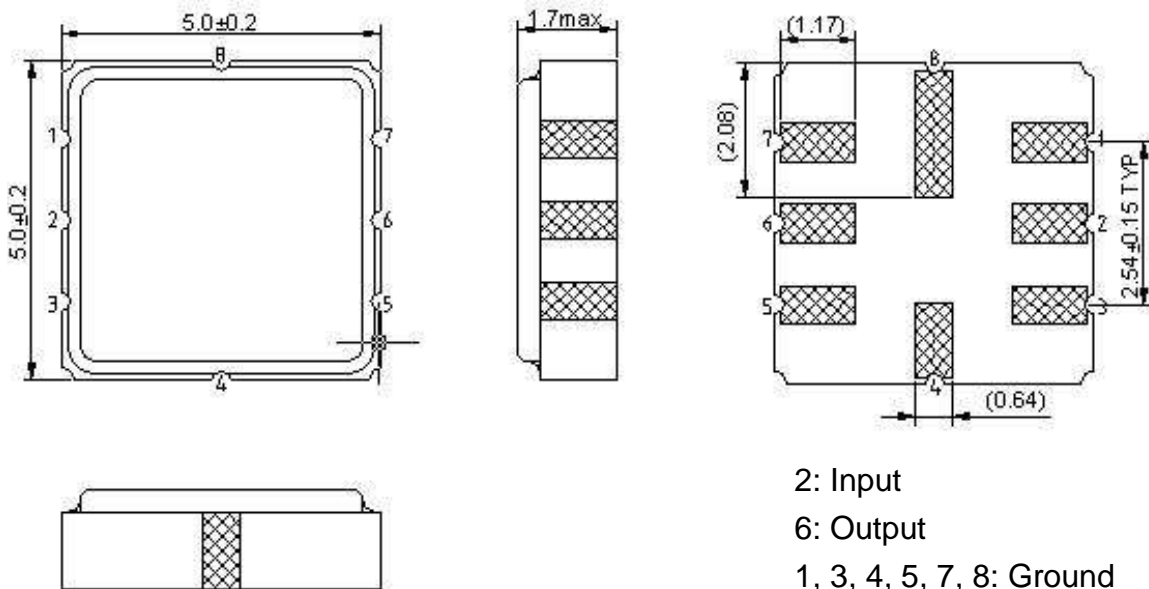
SAW Filter 465.1375MHz
Part No: MA04074

Model: TA0266A
Rev No: 1

D. MEASUREMENT CIRCUIT:



E. OUTLINE DRAWING:



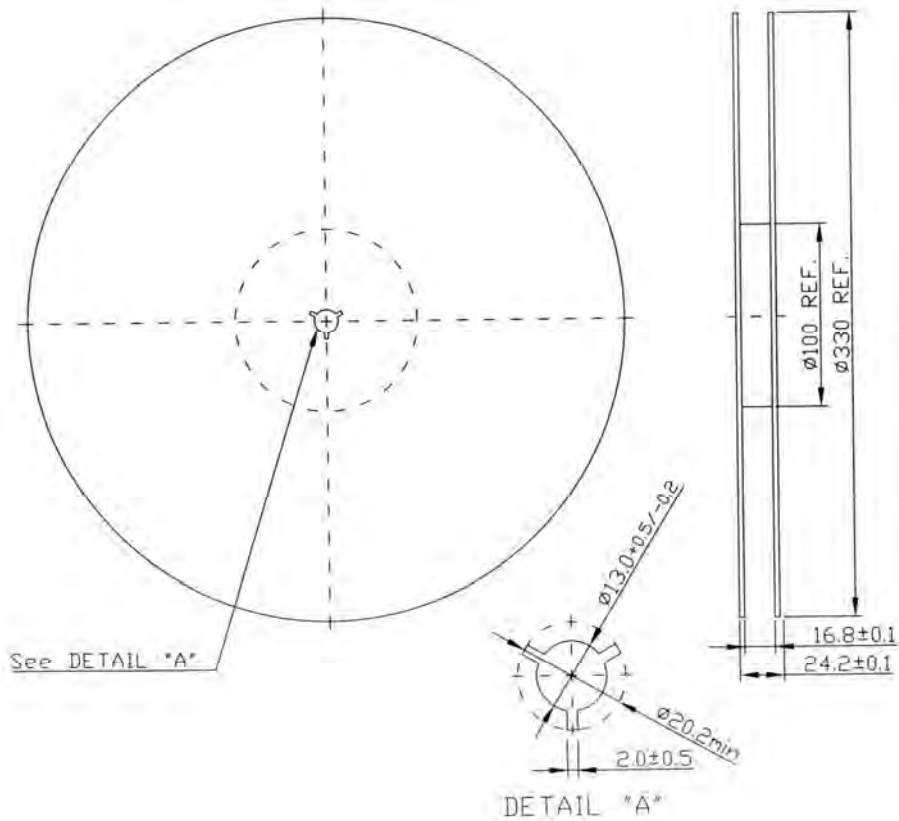
2: Input
 6: Output
 1, 3, 4, 5, 7, 8: Ground
 Unit: mm

SAW Filter 465.1375MHz
Part No: MA04074

Model: TA0266A
Rev No: 1

F. PACKING:

1. REEL DIMENSION



2. TAPE DIMENSION

