

**SAW Filter 914.50MHz**  
**Part No: MA04566**

**Model: TA0282A**  
**Rev No: 1**

**A. MAXIMUM RATING:**

1. Input Power Level: 10dBm
2. DC voltage: 0V
3. Operating Temperature: -20°C to 65°C
4. Storage Temperature: -40°C to +85°C

**B. CHARACTERISTICS:**

Item	Min.	Typ.	Max.
Center frequency Fc MHz	-	914.5	-
Insertion loss 910.5 ~ 918.5MHz IL max (dB)	-	2.6	4.0
Amplitude ripple 910.5 ~ 918.5MHz (dB)	-	0.5	2.0
Attenuation (Relative to IL max)			
10 ~ 830MHz (dB)	47	58	-
830 ~ 875MHz (dB)	38	54	-
959 ~ 980MHz (dB)	20	50	-
980 ~ 1200MHz (dB)	42	54	-
Source impedance Z <sub>S</sub> (Ω)	-	50	-
Load impedance Z <sub>L</sub> (Ω)	-	50	-

Note: No matching network required for operation at 50Ω

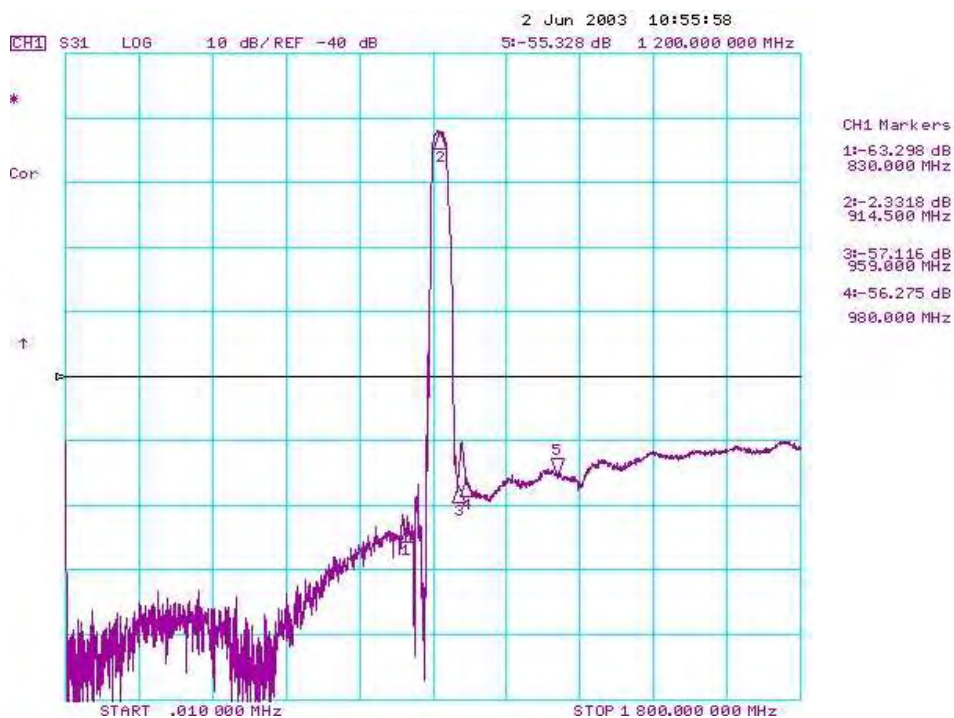
**SAW Filter 914.50MHz**  
**Part No: MA04566**

**Model: TA0282A**  
**Rev No: 1**

**C. TRANSFER FUNCTION:**



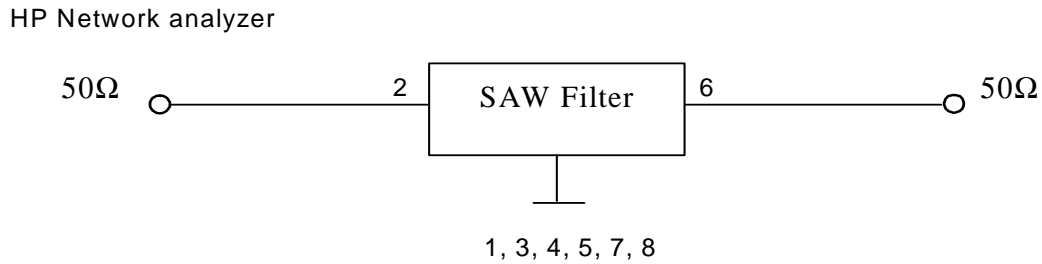
**Wideband**



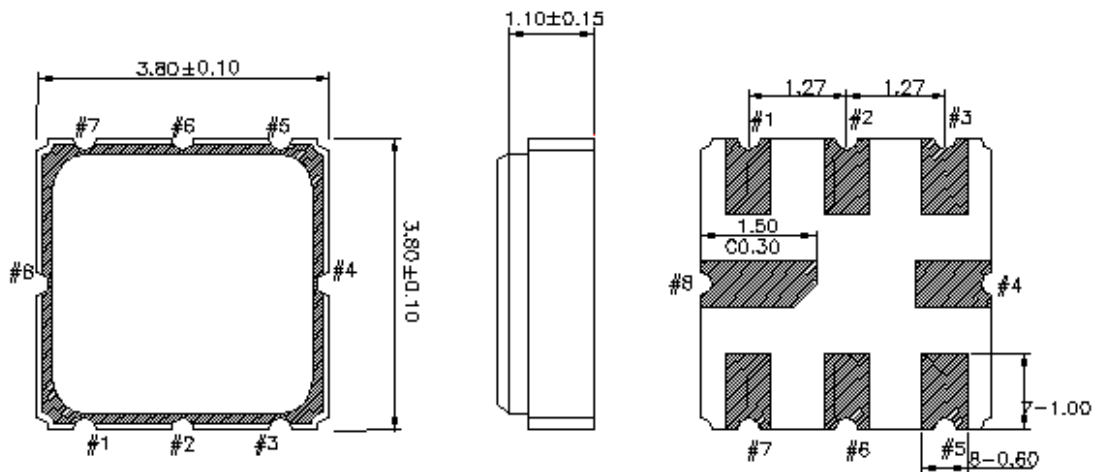
**SAW Filter 914.50MHz**  
**Part No: MA04566**

**Model: TA0282A**  
**Rev No: 1**

**D. MEASUREMENT CIRCUIT:**



**E. OUTLINE DRAWING:**



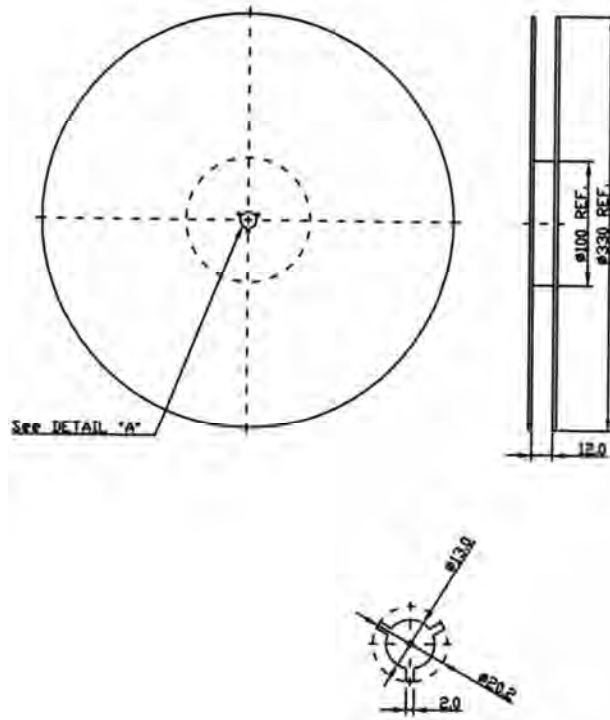
- 2: Input
- 6: Output
- 1, 3, 4, 5, 7, 8: Ground
- Unit: mm

**SAW Filter 914.50MHz**  
**Part No: MA04566**

**Model: TA0282A**  
**Rev No: 1**

**F. PACKING:**

**1. REEL DIMENSION**



**2. TAPE DIMENSION**

