

SAW Filter 460MHz
Part No: MA05224

Model: TA0312A
Rev No: 1

A. MAXIMUM RATING:

1. Input Power Level: 10dBm
2. DC voltage: 3V
3. Operating Temperature: -40°C to +85°C
4. Storage Temperature: -40°C to +85°C

B. ELECTRICAL CHARACTERISTICS:

Item	Unit	Min.	Typ.	Max.
Center frequency F_c	MHz	-	460	-
Insertion Loss IL min (reference level)	dB	-	1.5	3.0
1dB Bandwidth BW -1dB	MHz	-	21.6	-
3dB Bandwidth BW -3dB	MHz	20	24.5	-
Absolute Attenuation: (Reference level from 0dB)				
$F_c - 40.8$ to $F_c - 100$ MHz	dB	42	57	-
$F_c + 40$ to $F_c + 100$ MHz	dB	40	46	-
Source impedance Z_s	Ω	-	50	-
Load impedance Z_L	Ω	-	50	-

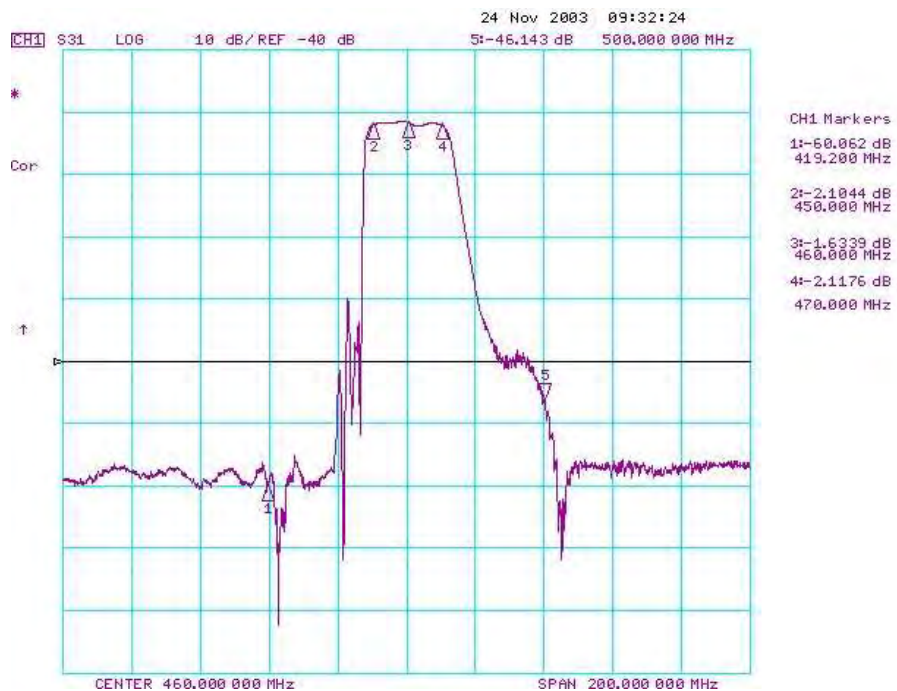
Note:

IL min is the minimum of the pass band attenuation. The center frequency F_c is the mean value of the upper and lower frequencies at the 3dB filter attenuation level relative to the IL min.

SAW Filter 460MHz
Part No: MA05224

Model: TA0312A
Rev No: 1

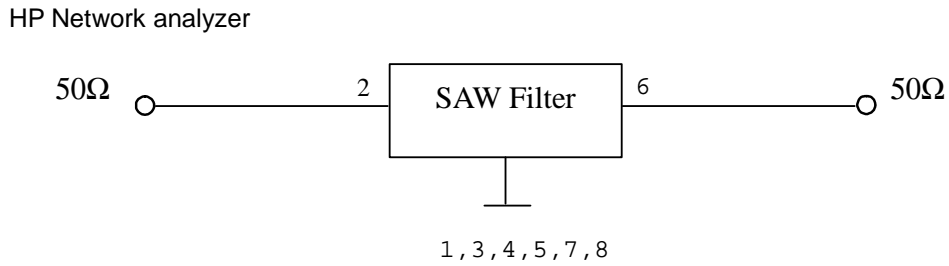
C. FREQUENCY CHARACTERISTICS:



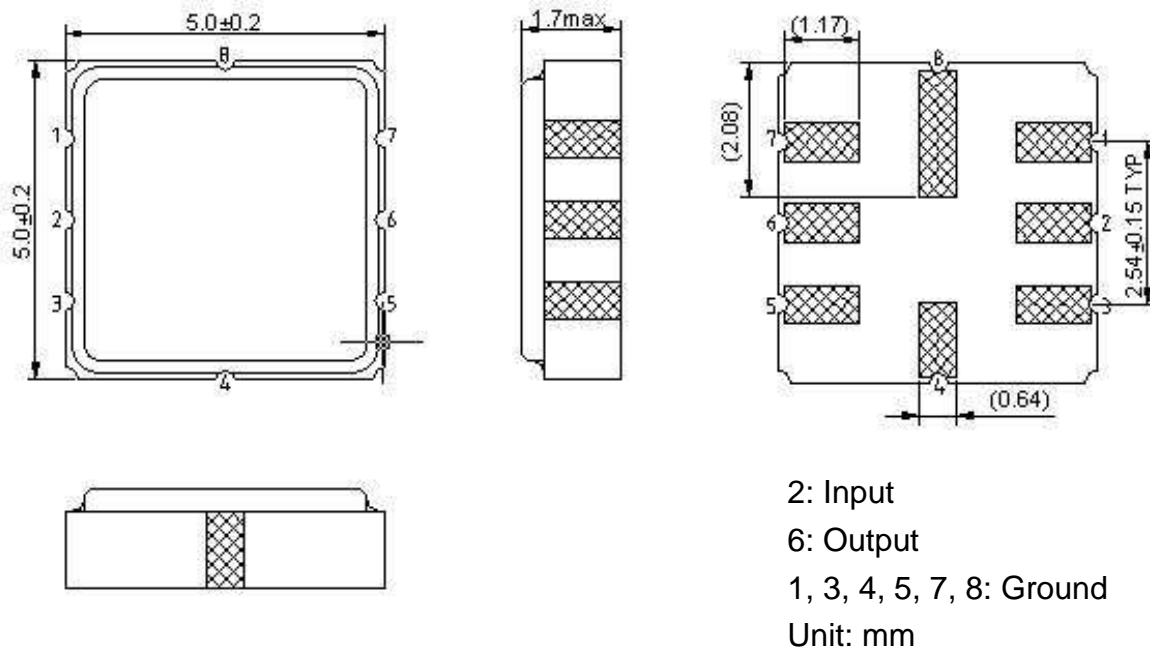
SAW Filter 460MHz
Part No: MA05224

Model: TA0312A
Rev No: 1

D. MEASUREMENT CIRCUIT:



E. OUTLINE DRAWING:

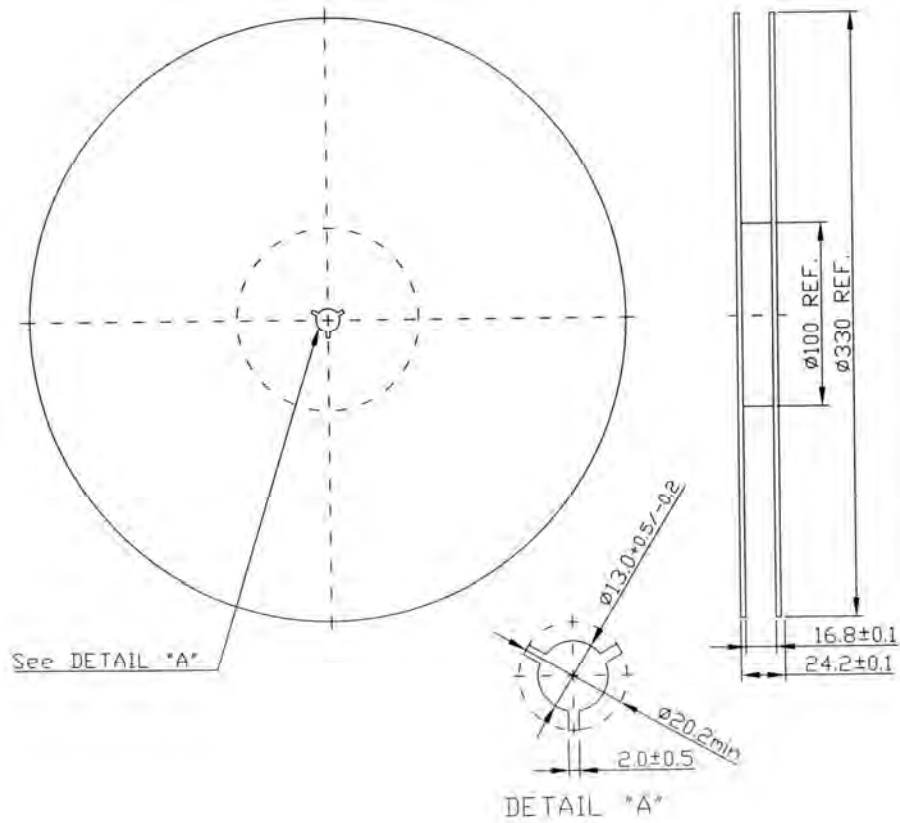


SAW Filter 460MHz
Part No: MA05224

Model: TA0312A
Rev No: 1

F. PACKING:

1. REEL DIMENSION



2. TAPE DIMENSION

