

SAW Filter 139MHz
Part No: MA05254

Model: TA0245A
Rev No: 2

A. MAXIMUM RATING:

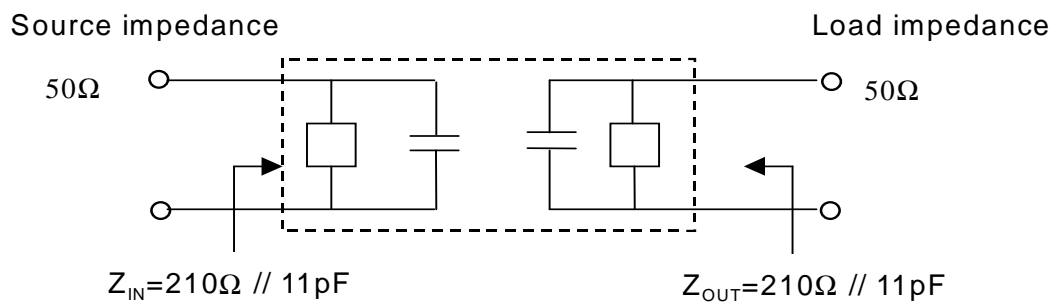
1. Input Power Level: 0dBm
2. DC voltage: 10V
3. Operating Temperature: -10°C to +50°C
4. Storage Temperature: -40°C to +85°C

B. ELECTRICAL SPECIFICATION:

Characteristics	Specification	Note
Center frequency Fc (MHz)	139	1
Insertion Loss IL (Within Fc ± 4MHz) (dB)	6.5 Max.	1
Attenuation: (Reference level from 0dB) (dB)		
Fc -100MHz to -38.8MHz (dB)	50 Min.	1
Fc +38.8MHz to +100MHz (dB)	42 Min.	
Impedance at Fc Input $Z_{IN} = R_{IN} // C_{IN}$	210Ω // 11pF	2
Output $Z_{OUT} = R_{OUT} // C_{OUT}$	210Ω // 11pF	2

Note 1: The standard definitions is in JIS C 6703

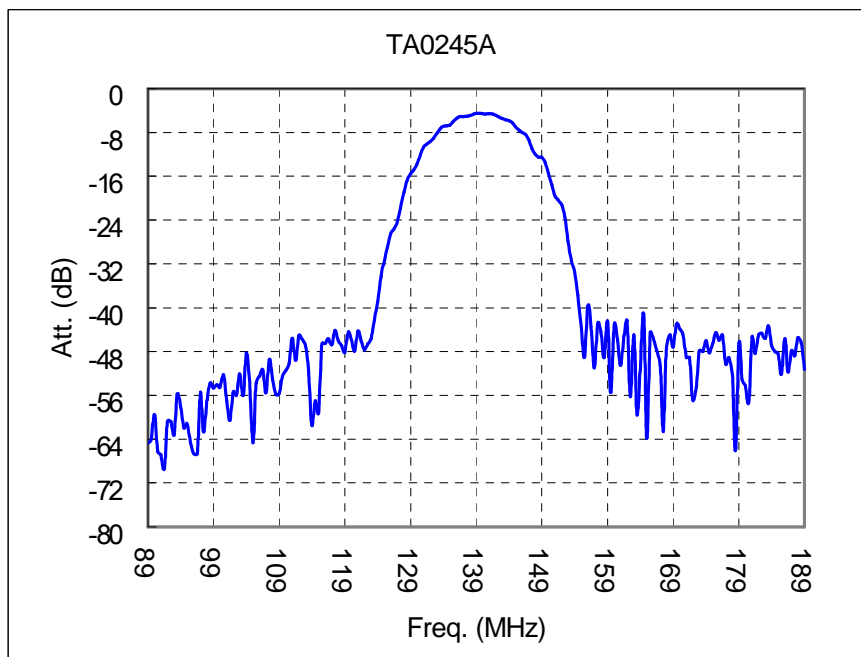
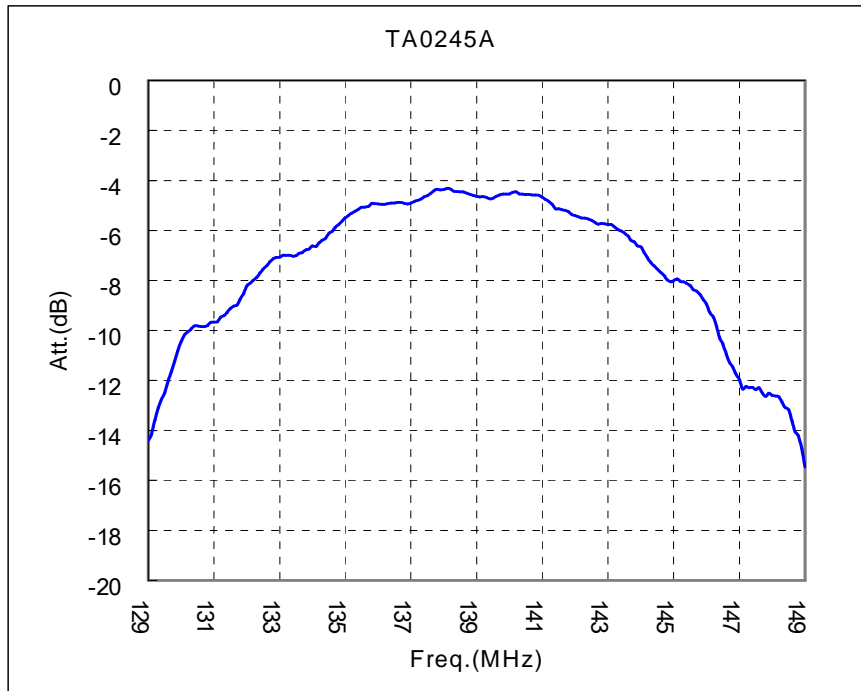
Note 2:



SAW Filter 139MHz
Part No: MA05254

Model: TA0245A
Rev No: 2

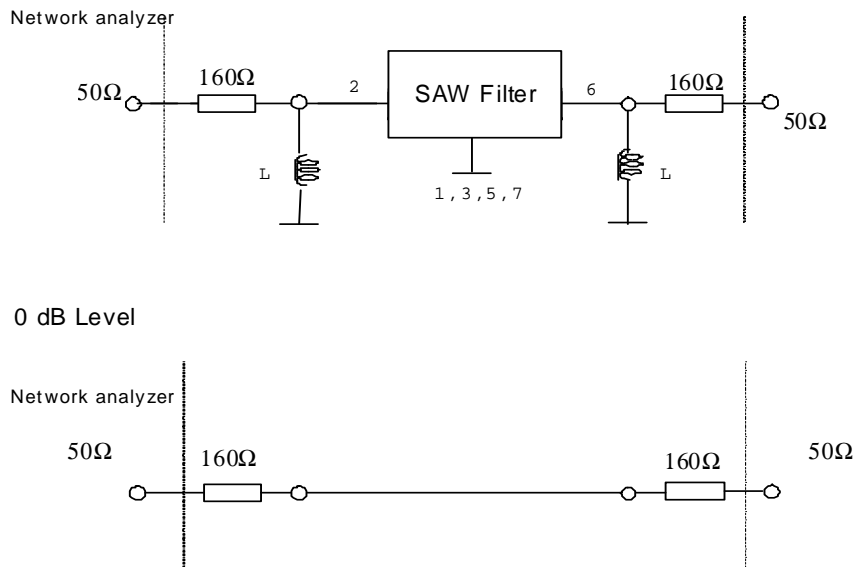
C.FREQUENCY CHARACTERISTICS:



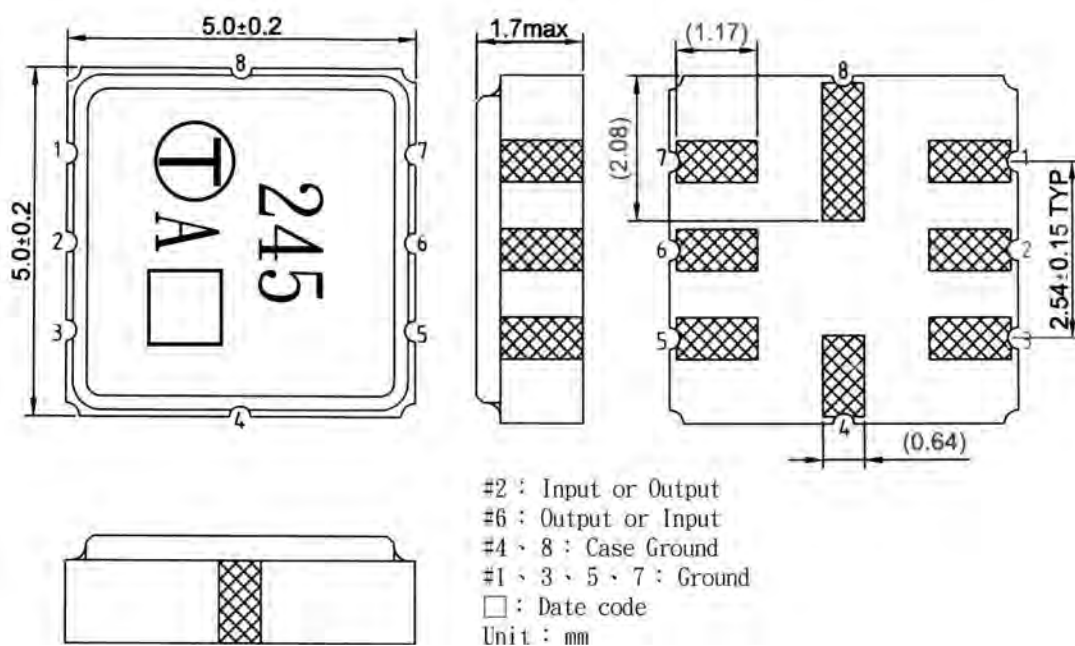
SAW Filter 139MHz
Part No: MA05254

Model: TA0245A
Rev No: 2

D. MEASUREMENT CIRCUIT:



E. OUTLINE DRAWING:

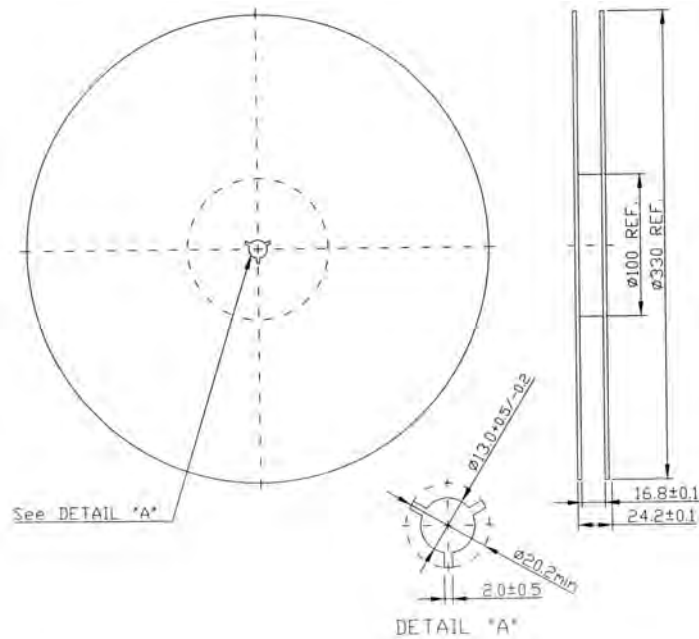


SAW Filter 139MHz
Part No: MA05254

Model: TA0245A
Rev No: 2

F. PACKING:

1. REEL DIMENSION



2. TAPE DIMENSION

