

**SAW Filter 433.92MHz**  
**Part No: MA05276**

**Model: TA0300A**  
**Rev No: 1**

**A. MAXIMUM RATING:**

1. Input Power Level: 10dBm
2. DC voltage: 12V
3. Operating Temperature: -40°C to +85°C
4. Storage Temperature: -40°C to +85°C

**B. ELECTRICAL CHARACTERISTICS:**

Reference temperature: TA = -40 to 85°C

Item	Min.	Typ.	Max.	Note
Center frequency Fc (MHz)	-	433.92	-	1
Minimum IL (dB) IL min	-	2.2	3.0	
Pass band (relative to IL min) 433.42 ~ 434.42 MHz (dB)	-	-	3.0	1
Pass bandwidth (relative to IL min) BW3 (kHz)	1000	1250	-	
Attenuation: (relative to IL min) (dB)				
10 ~ 414MHz (dB)	40	50	-	1
414 ~ 428MHz (dB)	30	40	-	
428 ~ 432.42MHz (dB)	15	20	-	
435.42 ~ 442MHz (dB)	10	15	-	
442 ~ 550MHz (dB)	25	30	-	
550 ~ 1000 MHz (dB)	45	50	-	
Impedance at Fc; Input $Z_{IN} = R_{IN} // C_{IN}$ Output $Z_{OUT} = R_{OUT} // C_{OUT}$	279Ω // 4.1pF			
Turnover To (°C)				

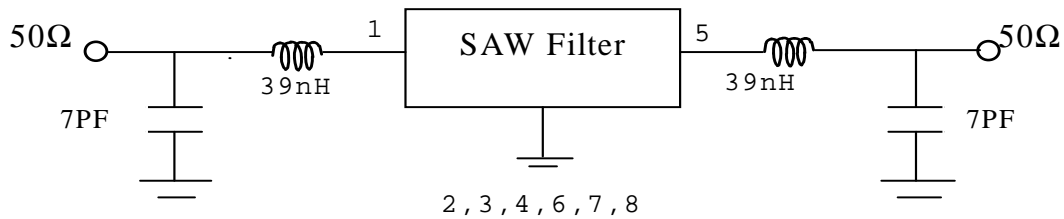
Note 1: The standard definitions is in JIS C 6703

**SAW Filter 433.92MHz**  
**Part No: MA05276**

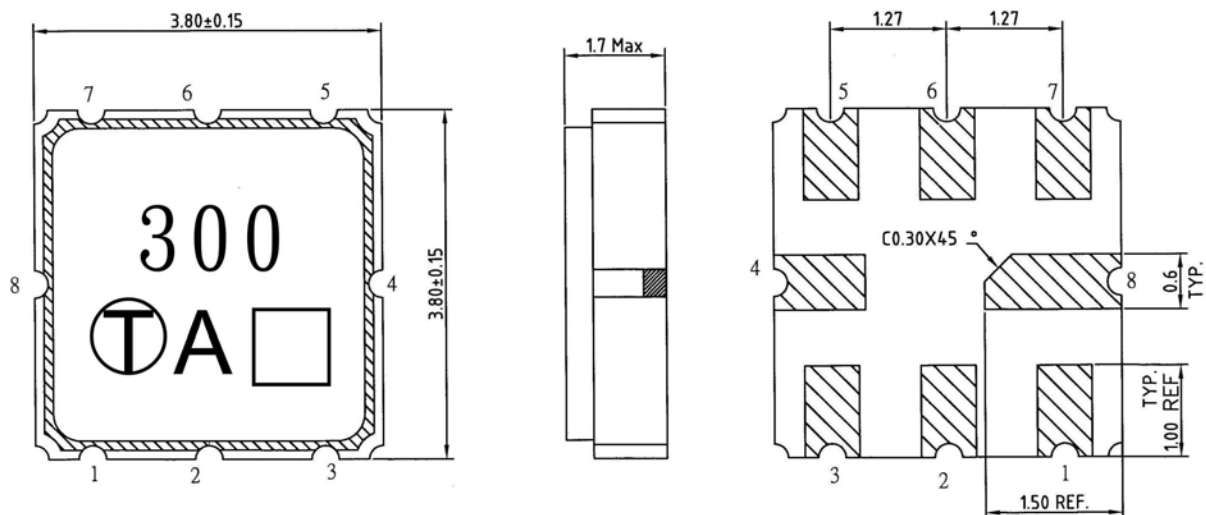
**Model: TA0300A**  
**Rev No: 1**

**C. MEASUREMENT CIRCUIT:**

HP Network analyzer



**D. OUTLINE DRAWING:**

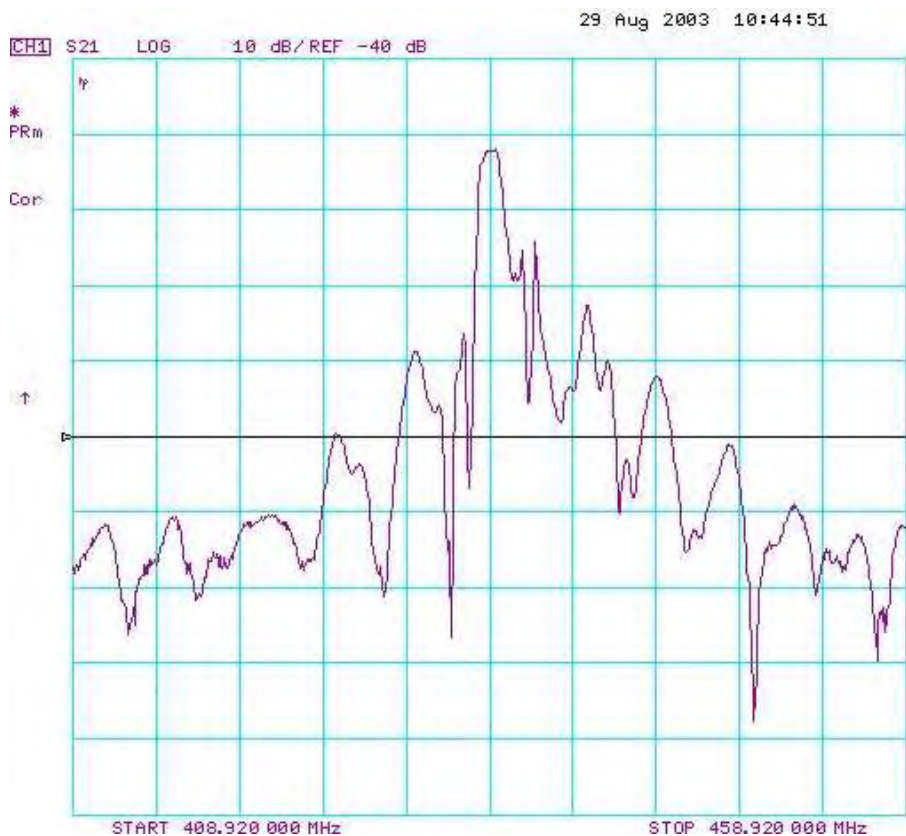


- #1 : Input or Output
  - #5 : Output or Input
  - #4、8 : Case Ground
  - #2、3、6、7 : Ground
  - : Date code
- Unit : mm

**SAW Filter 433.92MHz**  
**Part No: MA05276**

**Model: TA0300A**  
**Rev No: 1**

**E. FREQUENCY CHARACTERISTICS:**

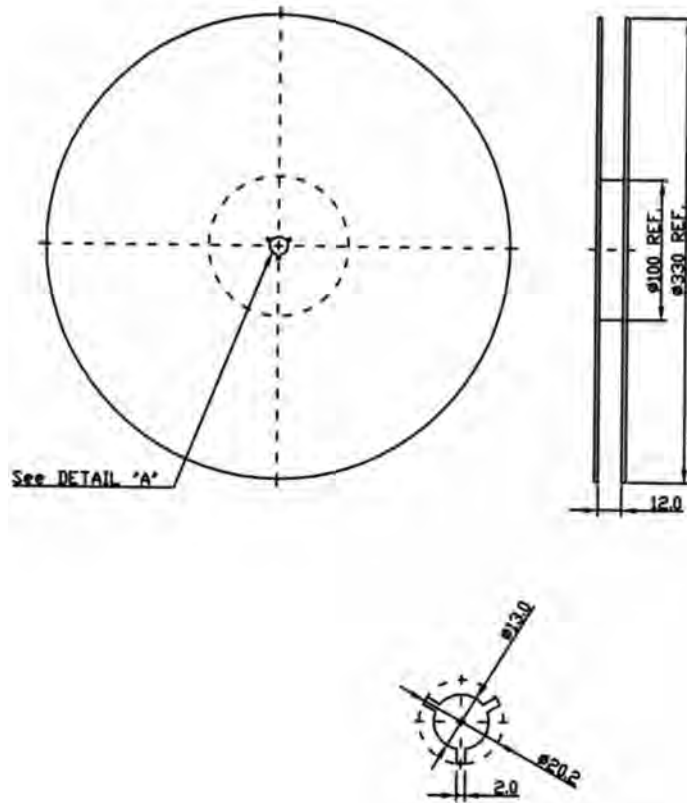


**SAW Filter 433.92MHz**  
**Part No: MA05276**

**Model: TA0300A**  
**Rev No: 1**

**F. PACKING:**

**1. REEL DIMENSION**



**2. TAPE DIMENSION**

