

SAW Filter 1220MHz
Part No: MA05464

Model: TA0194A
Rev No: 3

A. MAXIMUM RATING:

1. Operating Temperature: -40°C ~ +85°C
2. Storage Temperature: -40°C ~ +85°C

B. CHARACTERISTICS:

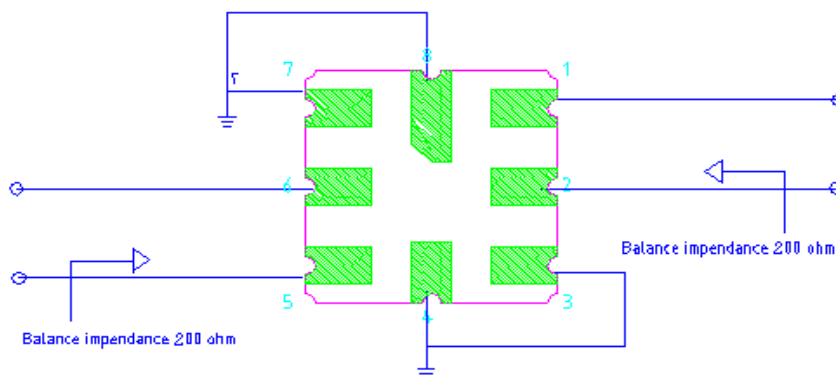
Balanced to Balanced operation

Terminating source impedance: $Z_S = 200\Omega$

Terminating load impedance: $Z_L = 200\Omega$

Characteristics	Value			Note
	Min.	Typ.	Max.	
Center frequency Fc MHz	-	1220	-	-
Insertion loss (1216 ~ 1224MHz) IL dB	-	3.7	4.8	-
Ripple (1216 ~ 1224MHz) dB	-	0.8	1.5	-
Attenuation: (Reference level from 0dB)				
500.Fc -93MHz dB	50	60	-	-
Fc -93 Fc -85MHz dB	46	53	-	-
Fc -85 Fc -68MHz dB	46	53	-	-
Fc -88MHz dB	50	55	-	-
Fc -72MHz dB	48	65	-	-
Fc -44MHz dB	50	54	-	-
Fc -36MHz dB	46	62	-	-
Fc +70 2000MHz dB	50	61	-	-
Group delay ripple (p-p) (1216 ~ 1224MHz) nS	-	40	-	-

C. MEASUREMENT CIRCUIT:

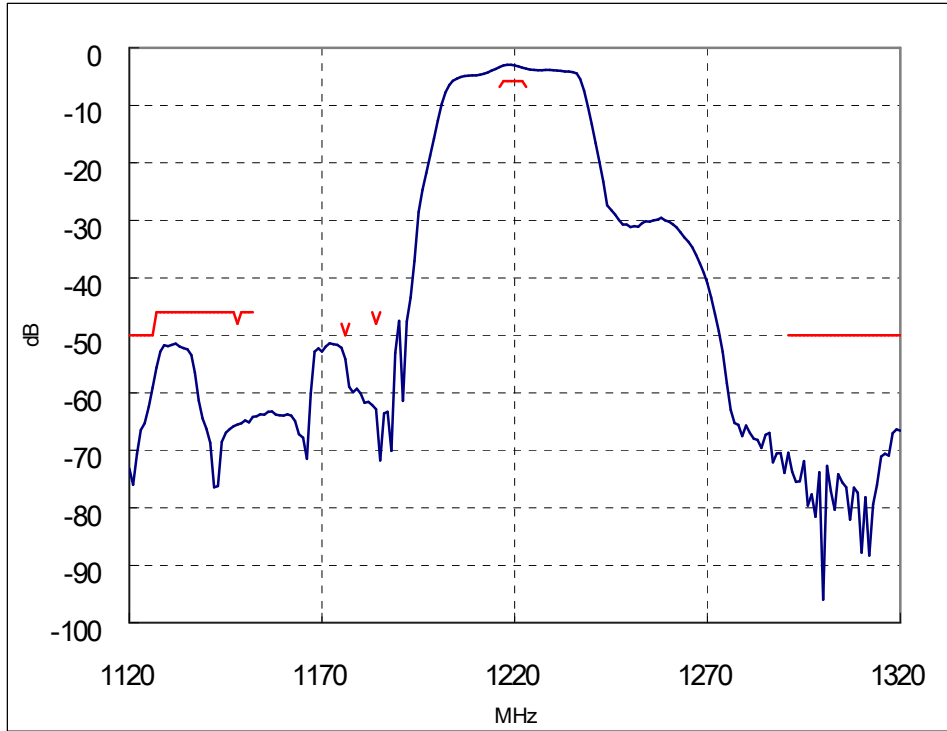


SAW Filter 1220MHz
Part No: MA05464

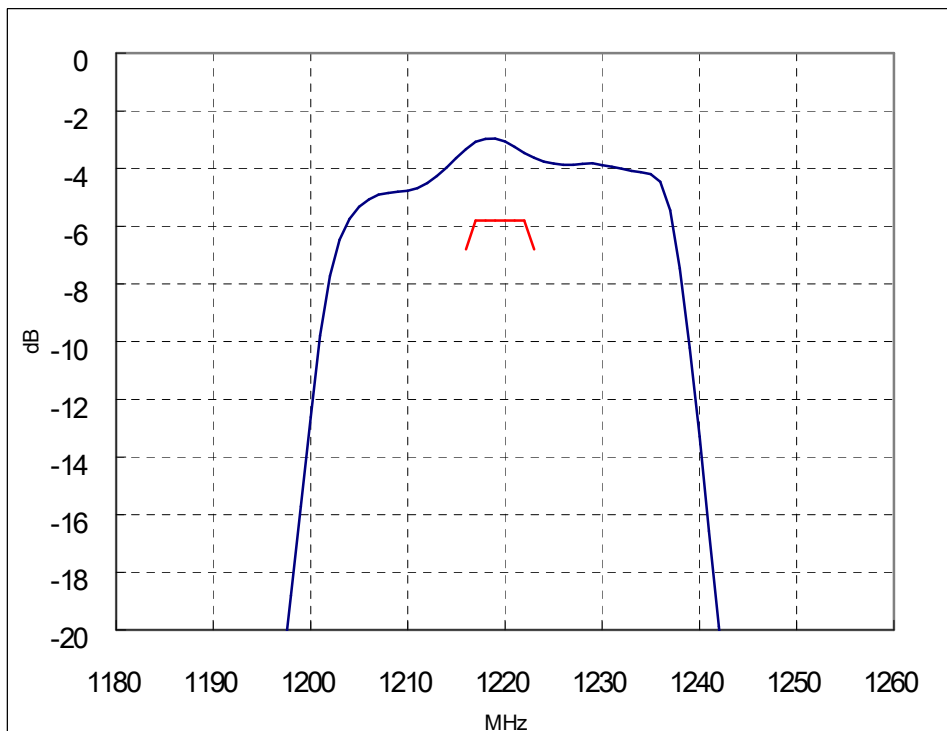
Model: TA0194A
Rev No: 3

D. FREQUENCY CHARACTERISTICS:

1. Sdd21 Response



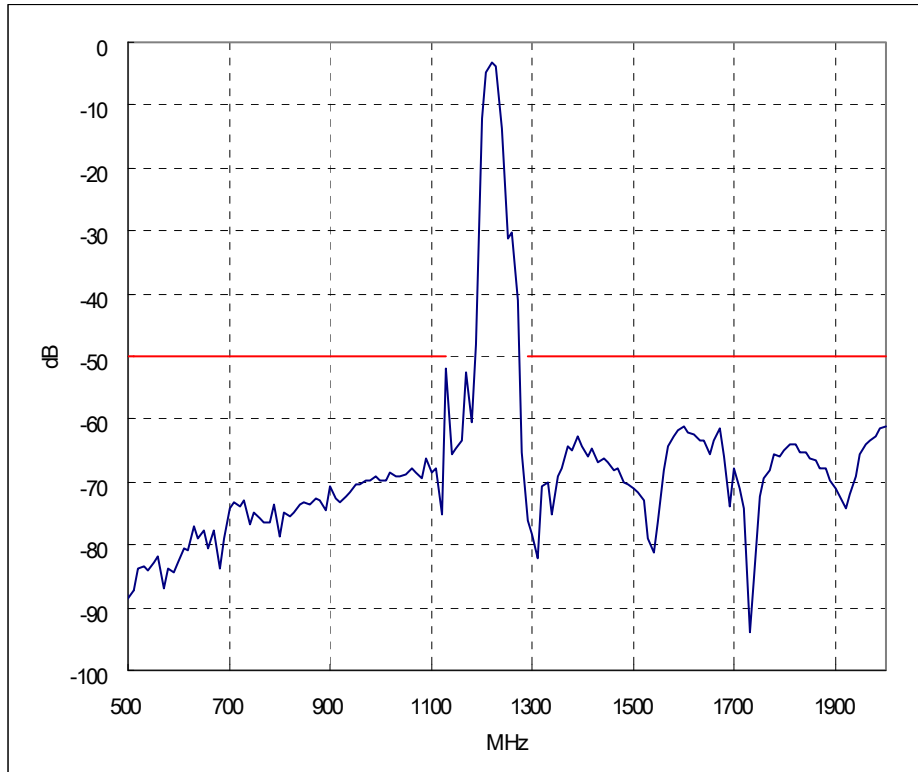
2. Sdd21 Response (Inband)



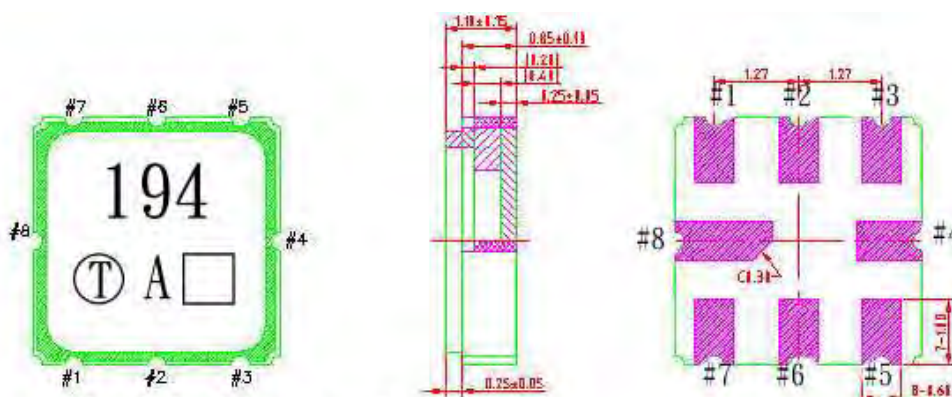
SAW Filter 1220MHz
Part No: MA05464

Model: TA0194A
Rev No: 3

3. Sdd21 Response (wideband)



E. OUTLINE DRAWING:



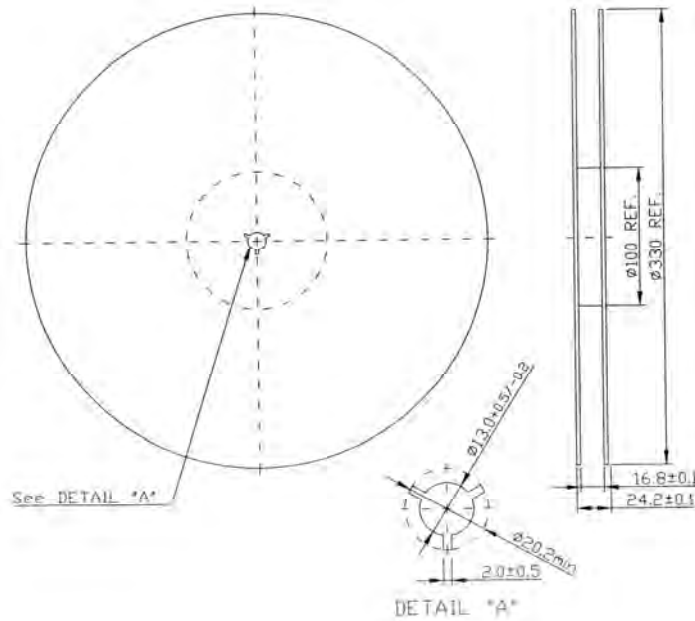
Pin 1, 2: Balance input
 Pin 5, 6: Balance output
 pin3, 4, 7, 8: To be Ground

SAW Filter 1220MHz
Part No: MA05464

Model: TA0194A
Rev No: 3

F. PACKING:

1. REEL DIMENSION



2. TAPE DIMENSION

