

**SAW Filter 1150.0MHz**  
**Part No: MA05554**

**Model: TA0314A**  
**Rev No: 1**

**A. MAXIMUM RATING:**

1. Input Power Level: 10dBm
2. DC voltage: 5V
3. Operating Temperature: -10°C to +85°C
4. Storage Temperature: -40°C to +85°C

**B. ELECTRICAL CHARACTERISTICS:**

Balanced to balanced operation

Terminating source impedance:  $Z_S = 100\Omega$

Terminating load impedance:  $Z_L = 100\Omega$

Item	Unit	Min.	Typ.	Max.
Center frequency $F_c$	MHz	-	1150	-
Insertion Loss 1142 ~ 1158MHz IL min (reference level)	dB	-	2.5	5.0
Ripple 1145 ~ 1155MHz	dB	-	0.6	-
Ripple 1142 ~ 1158MHz	dB	-	0.7	2.0
Absolute Group Delay (at 1150MHz)	ns		38	80
Group Delay Variation 1142 ~ 1158MHz	ns		12	90
Attenuation: (Reference level from IL min)				
500 ~ 1118MHz	dB	35	42	-
1118 ~ 1128 MHz	dB	4	20	-
1180 ~ 1220MHz	dB	20	24	-
1220 ~ 1600MHz	dB	35	40	-

Note:

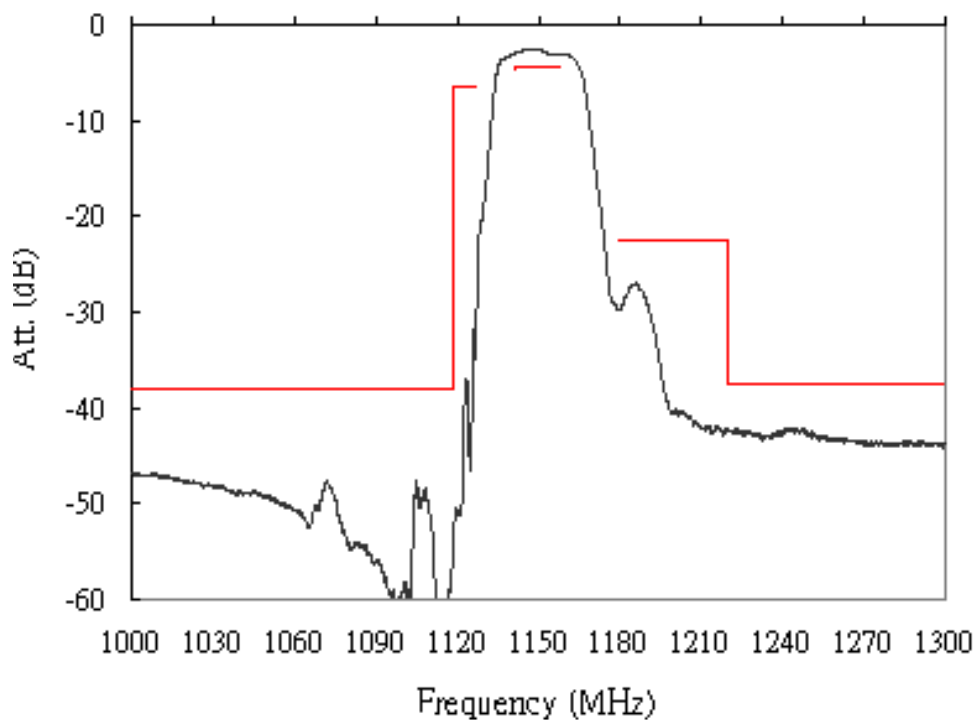
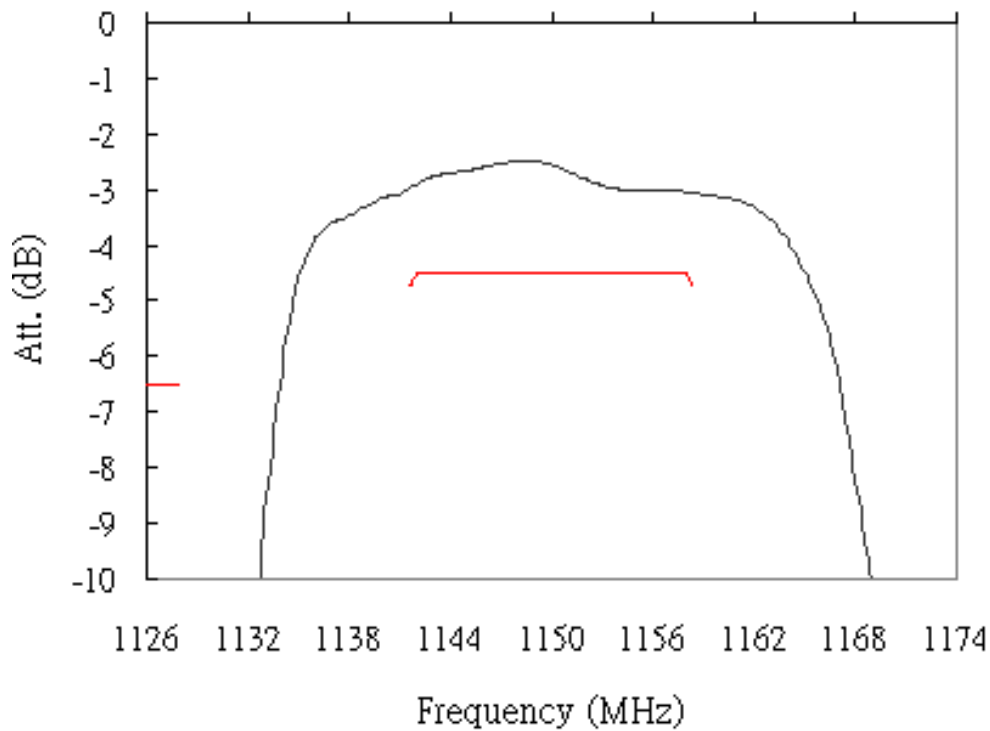
IL min is the minimum of the pass band attenuation. The center frequency  $F_c$  is the mean value of the upper and lower frequencies at the 2dB filter attenuation level relative to the IL min.

**SAW Filter 1150.0MHz**  
**Part No: MA05554**

**Model: TA0314A**  
**Rev No: 1**

**C. FREQUENCY CHARACTERISTICS:**

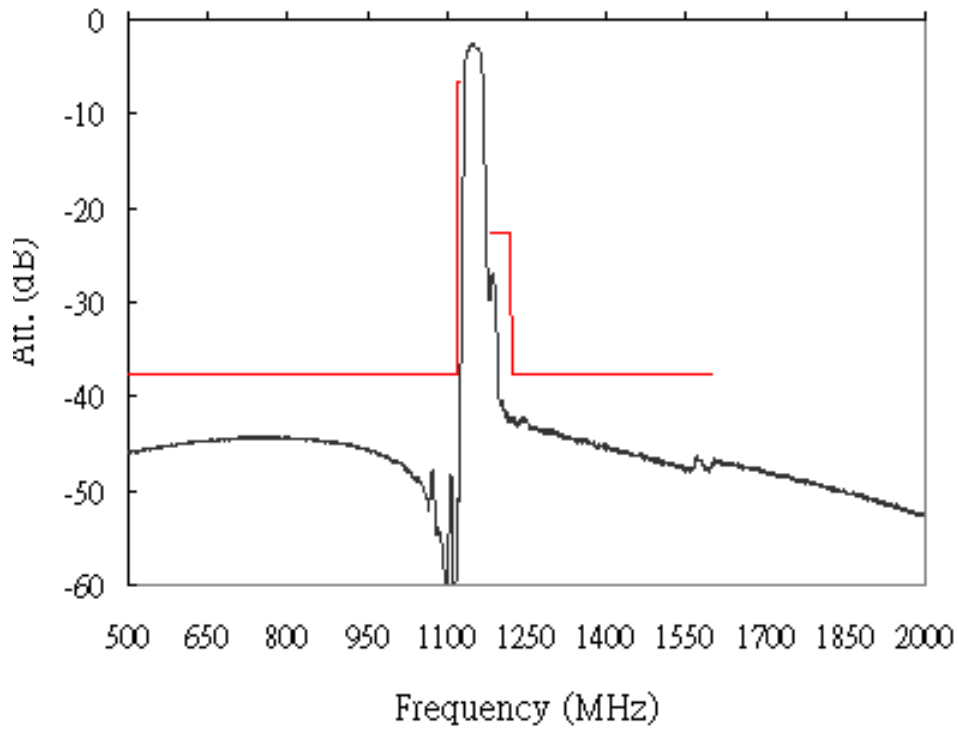
Transfer Function



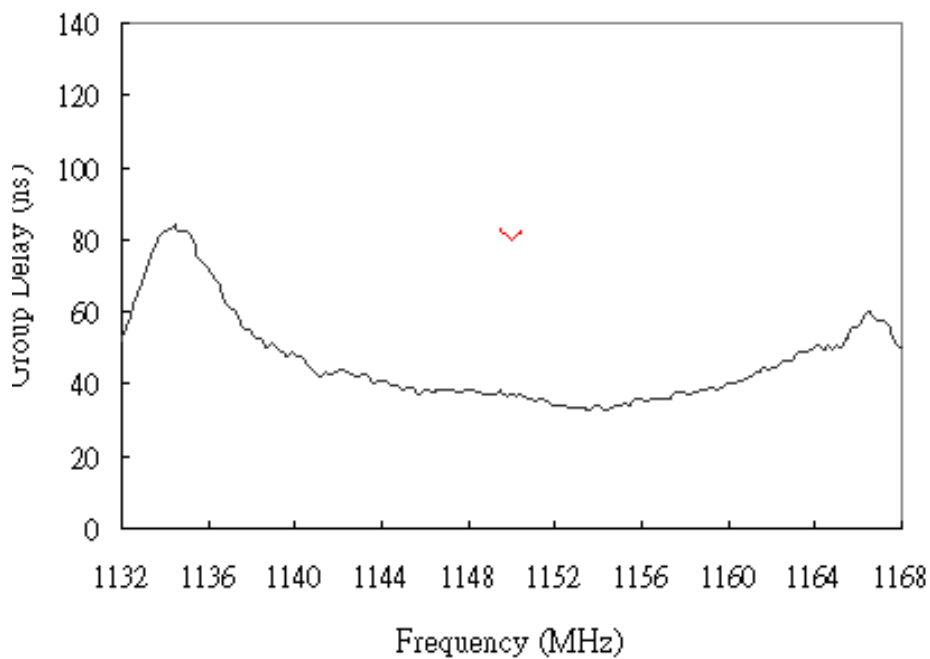
**SAW Filter 1150.0MHz**  
**Part No: MA05554**

**Model: TA0314A**  
**Rev No: 1**

Wideband



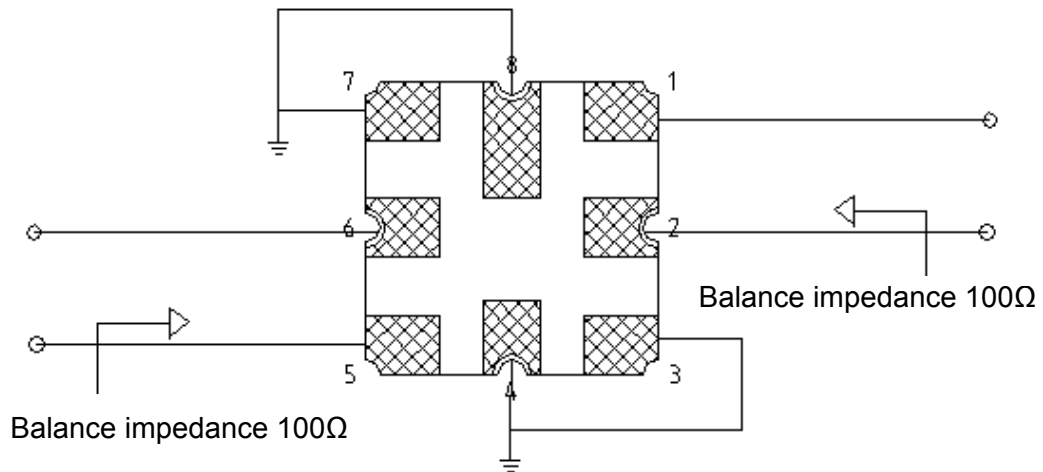
Group Delay



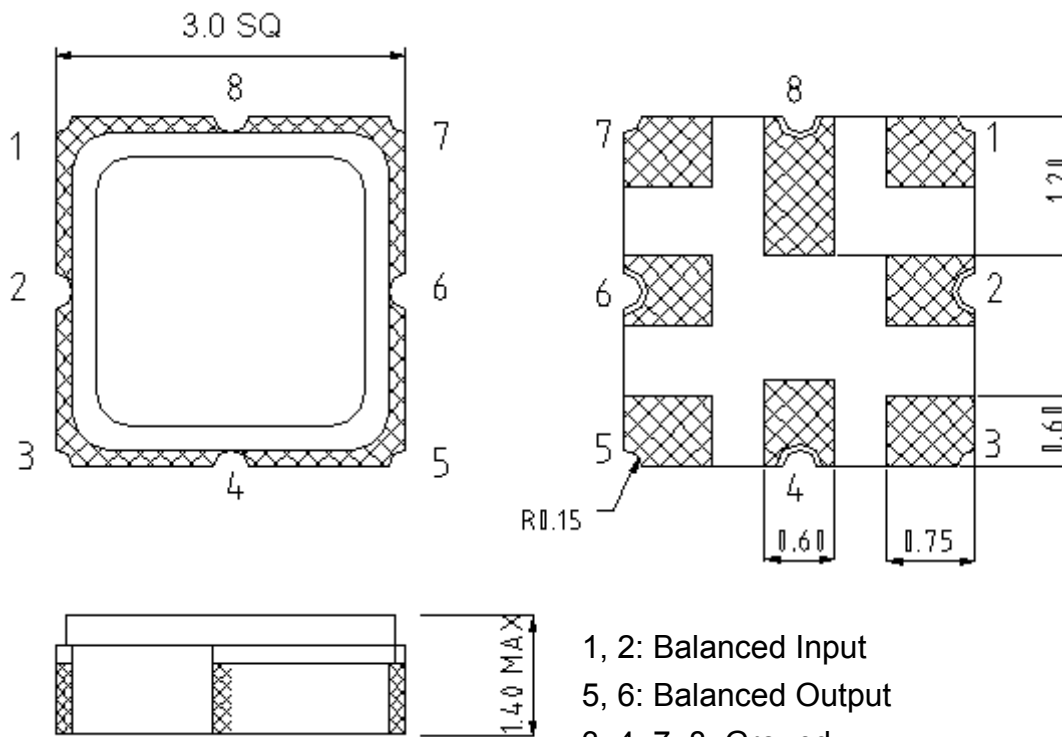
**SAW Filter 1150.0MHz**  
**Part No: MA05554**

**Model: TA0314A**  
**Rev No: 1**

**D. MEASUREMENT CIRCUIT:**



**E. OUTLINE DRAWING:**



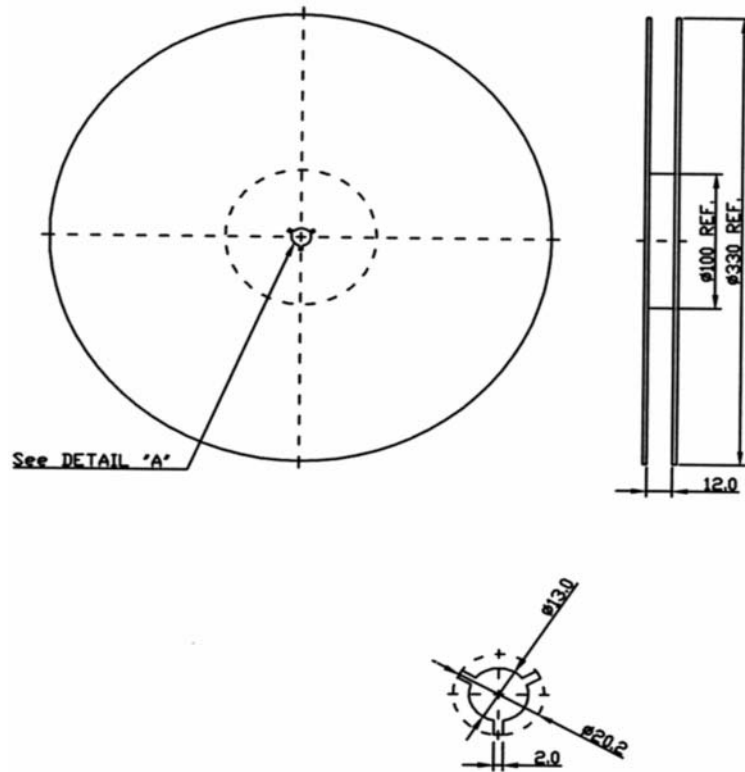
1, 2: Balanced Input  
 5, 6: Balanced Output  
 3, 4, 7, 8: Ground  
 Unit: mm

**SAW Filter 1150.0MHz**  
**Part No: MA05554**

**Model: TA0314A**  
**Rev No: 1**

**F. PACKING:**

1. REEL DIMENSION



2. TAPE DIMENSION

