

SAW Filter 868.3MHz
Part No: MA05578

Model: TA0257A
Rev No: 5

A. MAXIMUM RATING:

1. Input Power Level: 10dBm
2. DC voltage: 0V
3. Operating Temperature: -45°C to +90°C
4. Storage Temperature: -45°C to +90°C

B. ELECTRICAL CHARACTERISTICS:

Reference temperature: 25°C

Item	Min.	Typ.	Max.	Note
Center frequency Fc (MHz)	-	868.3	-	1
Minimum IL (868 ~ 868.78MHz) (dB) IL min	-	2.7	4.2	
Pass band (relative to IL min)				
868 ~ 868.78MHz (dB)	-	1.0	3.0	1
867.9 ~ 868.88MHz (dB)	-	1.5	6.0	
Pass bandwidth (relative to IL min) BW3 (kHz)	-	1500	-	
Attenuation: (relative to IL min) (dB)				
10 ~ 700MHz (dB)	50	55	-	
700 ~ 830MHz (dB)	40	45	-	
830 ~ 850MHz (dB)	35	40	-	
850 ~ 865.02MHz (dB)	25	28	-	1
871 ~ 874.5MHz (dB)	15	20	-	
874.5 ~ 883MHz (dB)	22	26	-	
883 ~ 900MHz (dB)	30	35	-	
900 ~ 1000MHz (dB)	40	45	-	
Impedance at Fc: Input $Z_{IN} = R_{IN} // C_{IN}$ Output $Z_{OUT} = R_{OUT} // C_{OUT}$	117Ω // 3.7pF 117Ω // 3.7pF			

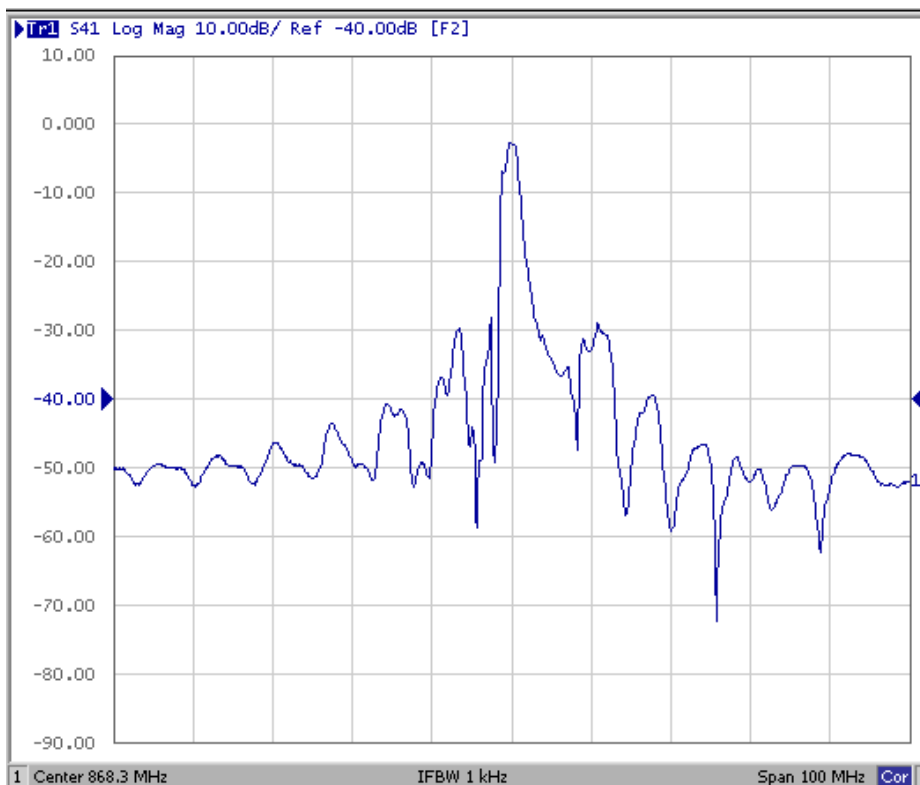
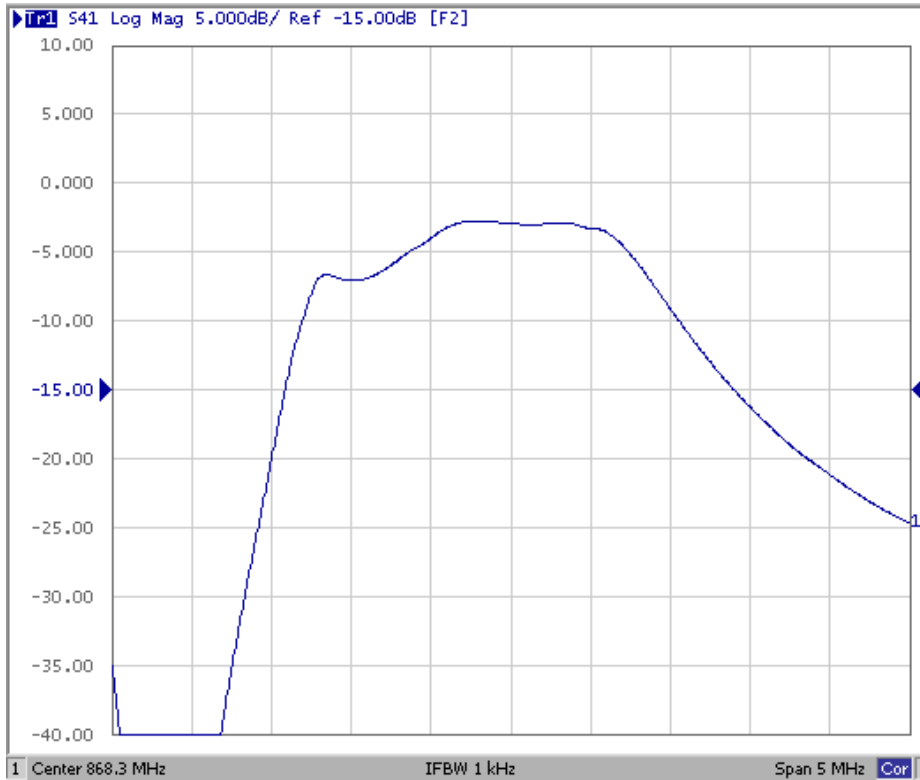
Note: The standard definitions is in JIS C 6703

SAW Filter 868.3MHz
Part No: MA05578

Model: TA0257A
Rev No: 5

C. FREQUENCY CHARACTERISTICS:

The response included the loss of matching circuit.

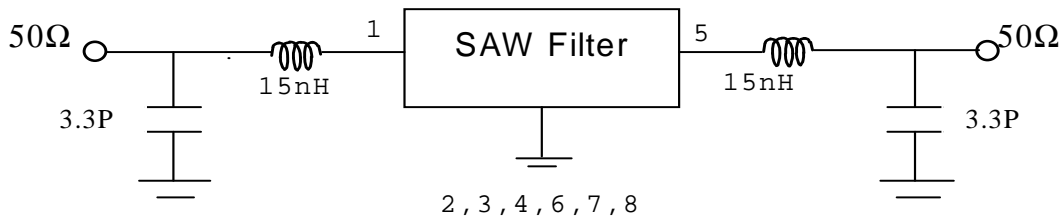


SAW Filter 868.3MHz
Part No: MA05578

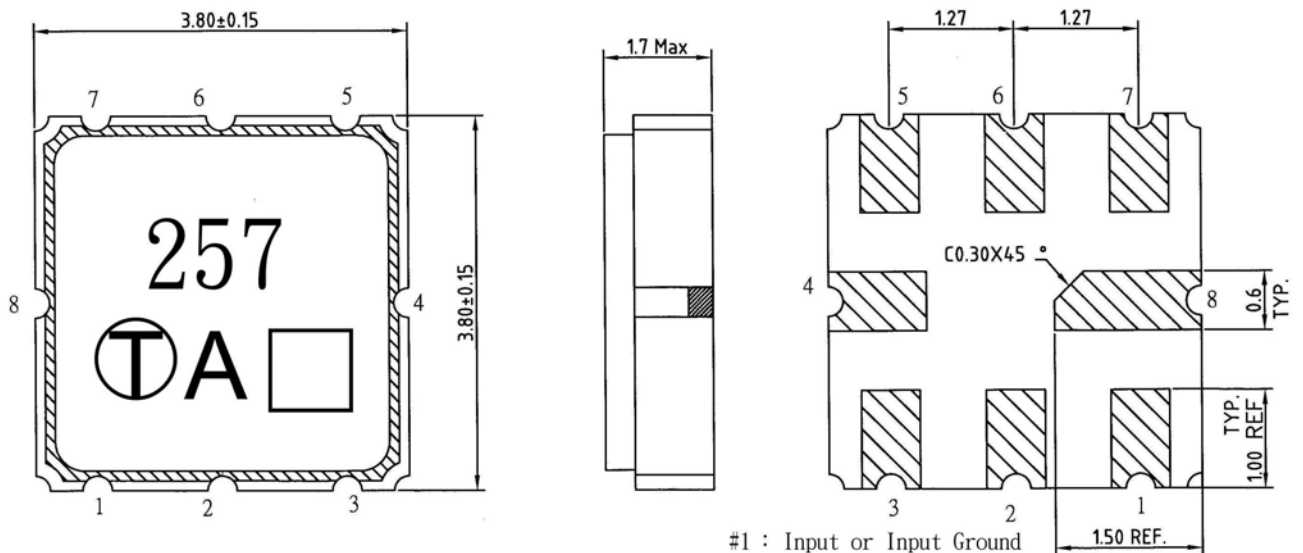
Model: TA0257A
Rev No: 5

D. MEASUREMENT CIRCUIT:

HP Network analyzer



E. OUTLINE DRAWING:



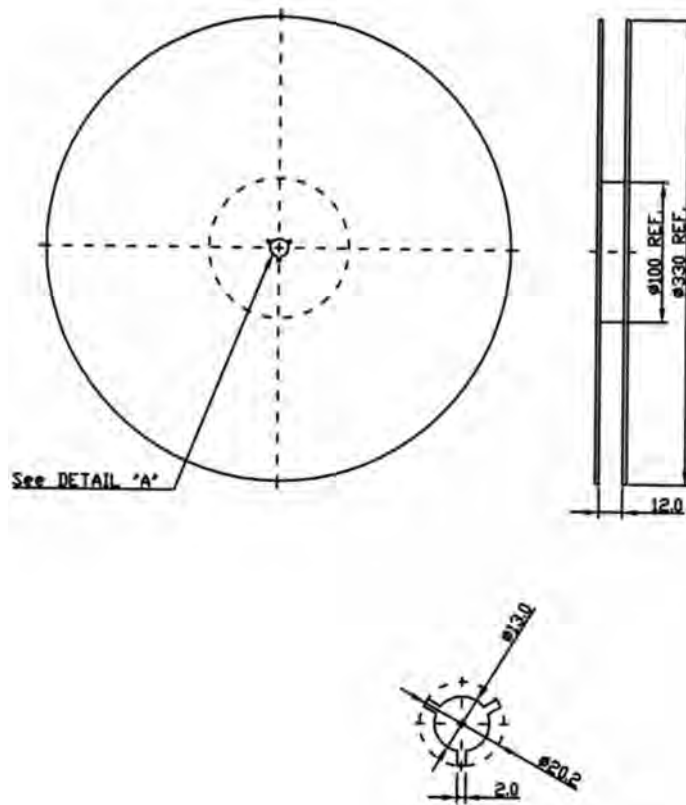
- #1 : Input or Input Ground
 - #2 : Input Ground or Input
 - #5 : Output
 - #6 : Output Ground
 - #4、8 : Case Ground
 - #3、7 : Ground
 - : Date code
- Unit : mm

SAW Filter 868.3MHz
Part No: MA05578

Model: TA0257A
Rev No: 5

F. PACKING:

1. REEL DIMENSION



2. TAPE DIMENSION

