

SAW Filter: 836.50MHz
Part No: MA05675

Model: TA836GG
Rev No: 3

A. MAXIMUM RATING:

Electrostatic Sensitive Device (ESD)

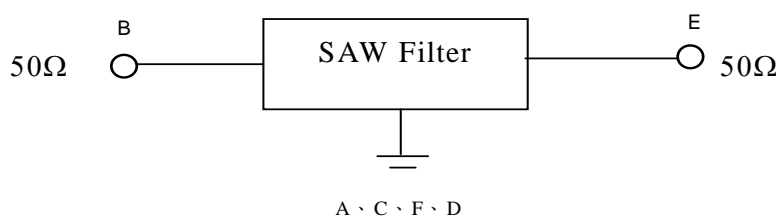
1. Input Power Level: +15dBm
2. DC voltage: -5 ~ +5V
3. Operating Temperature: -30°C ~ +85°C
4. Storage Temperature: -40°C ~ +100°C

B. ELECTRICAL CHARACTERISTICS:

Characteristics	Value			Note
	Min.	Typ.	Max.	
Center frequency Fc MHz	-	836.5	-	-
Insertion loss (824 ~ 849MHz) IL dB	-	2.8	3.5	-
V.S.W.R (824 ~ 849MHz) dB	-	1.6	2.0	-
Ripple (824 ~ 849MHz) dB	-	0.7	1.6	-
Attenuation: (Reference level from 0dB)				
D.C. ~ 800 MHz dB	50	55.8	-	-
869 ~ 1049 MHz dB	28	31.2	-	-
1049 ~ 1200 MHz dB	50	57.1	-	-
1200 ~ 2000MHz dB	45	48.6	-	-
Impedance at Fc; Input $Z_{IN} = R_{IN} // C_{IN}$	50Ω // 0 PF			-
Output $Z_{OUT} = R_{OUT} // C_{OUT}$	50Ω // 0 PF			-

C. MEASUREMENT CIRCUIT:

Network analyzer

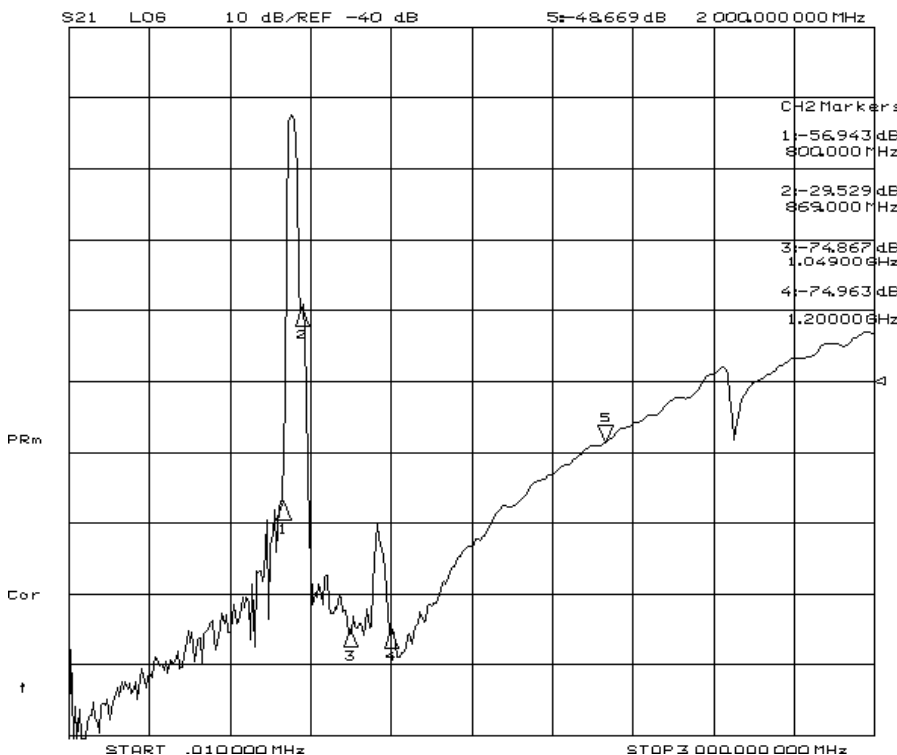
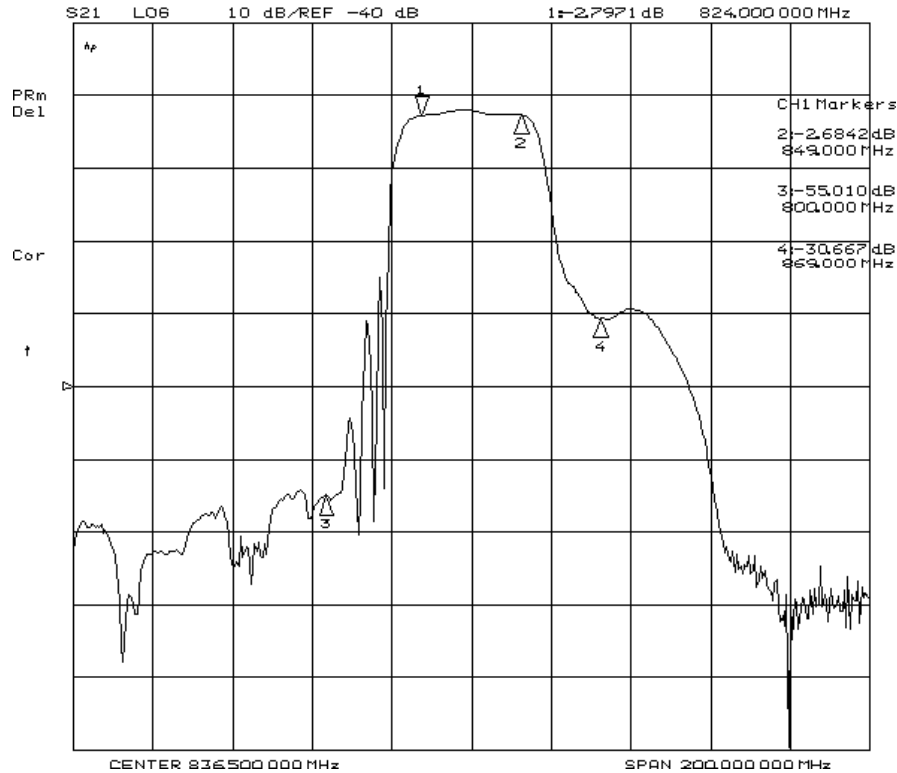


SAW Filter: 836.50MHz
Part No: MA05675

Model: TA836GG
Rev No: 3

D. FREQUENCY CHARACTERISTICS:

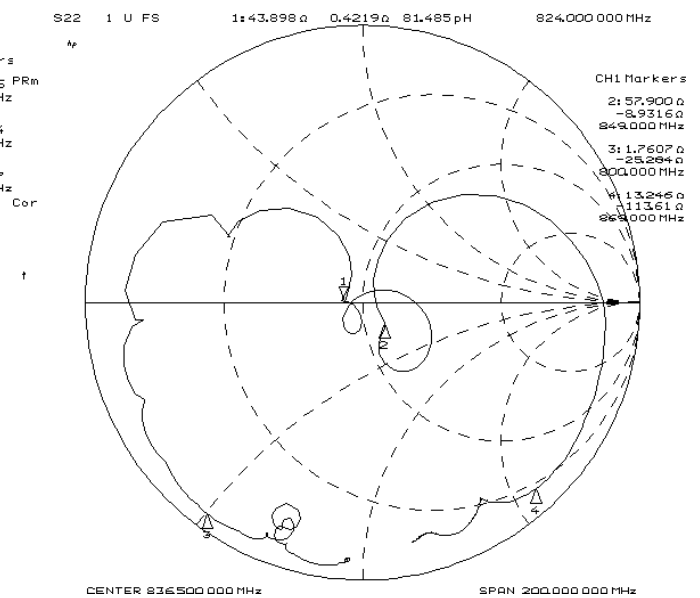
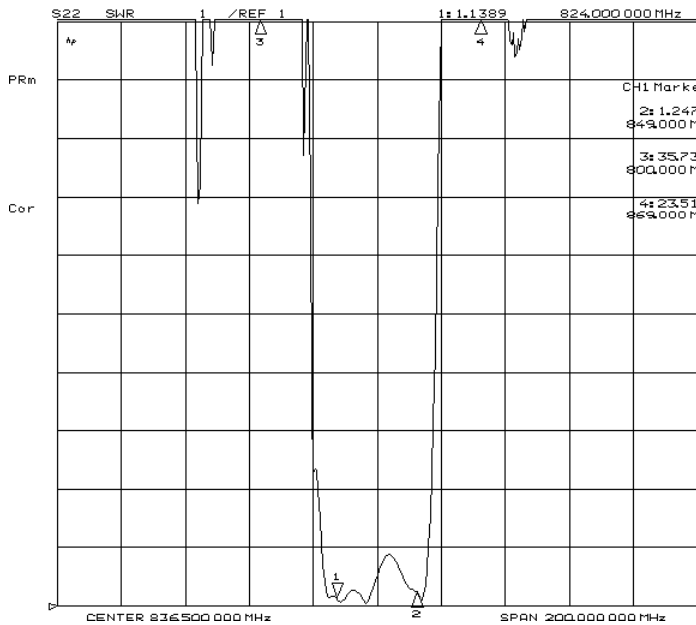
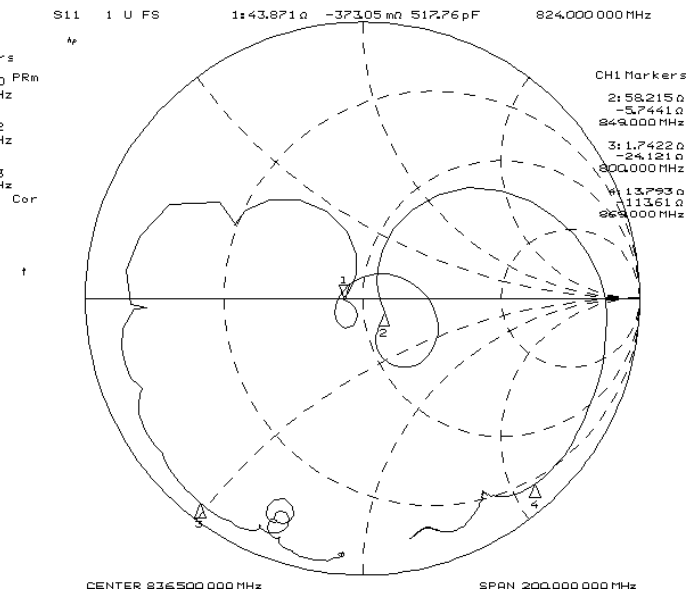
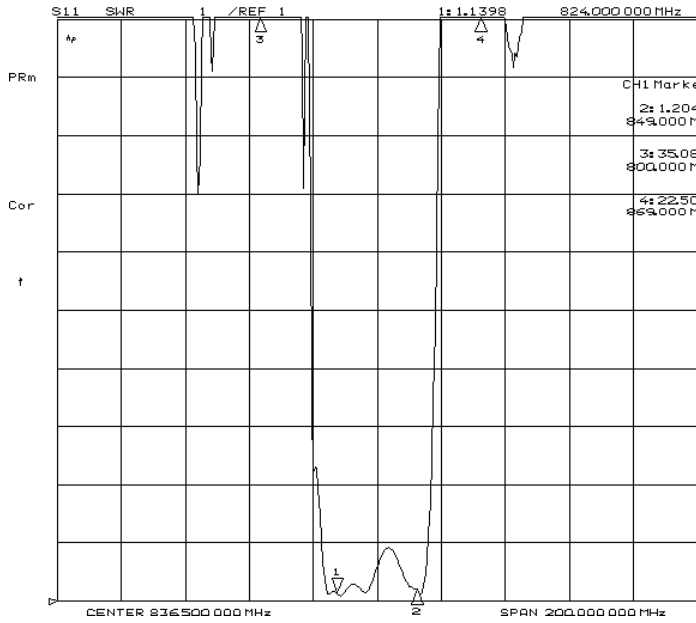
1. Frequency Response



SAW Filter: 836.50MHz
Part No: MA05675

Model: TA836GG
Rev No: 3

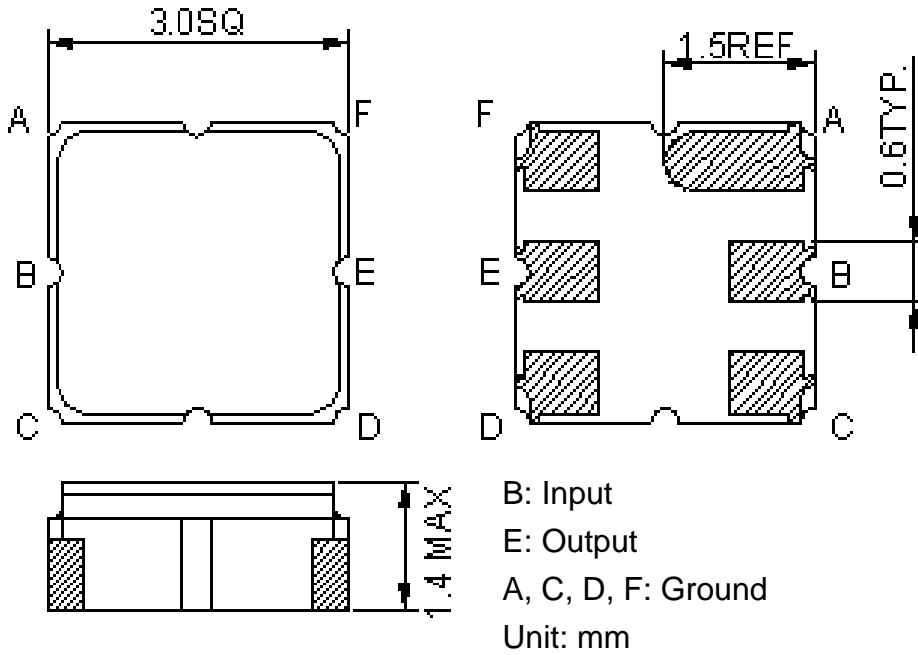
2. VSWR and Smith Chart



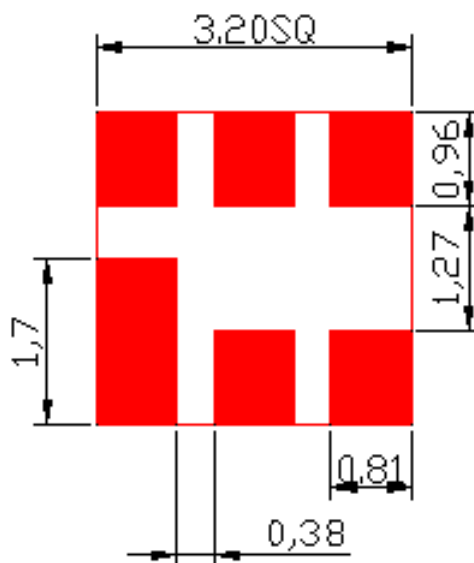
SAW Filter: 836.50MHz
Part No: MA05675

Model: TA836GG
Rev No: 3

E. OUTLINE DRAWING:



F. PCB FOOTPRINT:



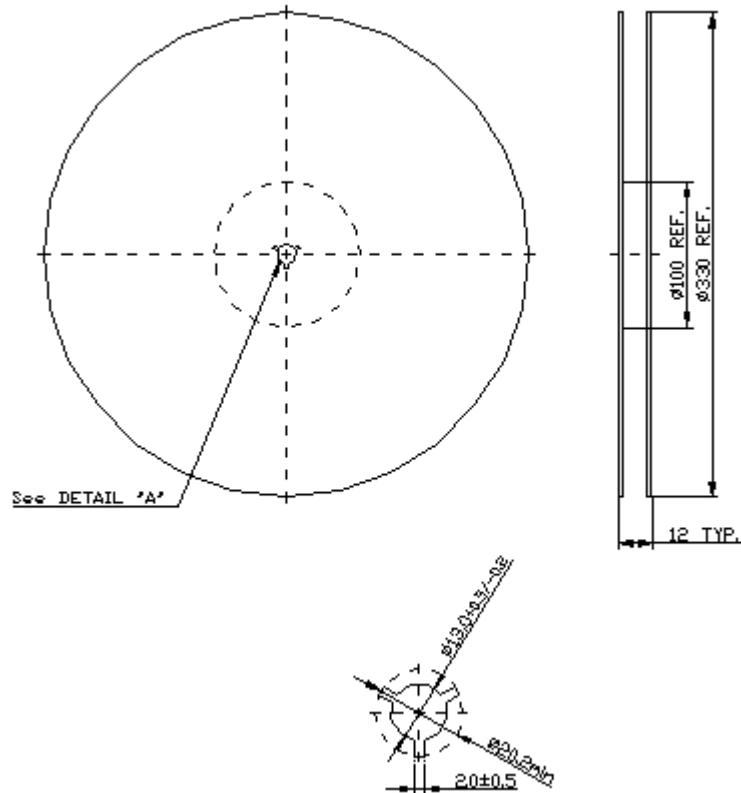
SAW Filter: 836.50MHz
Part No: MA05675

Model: TA836GG
Rev No: 3

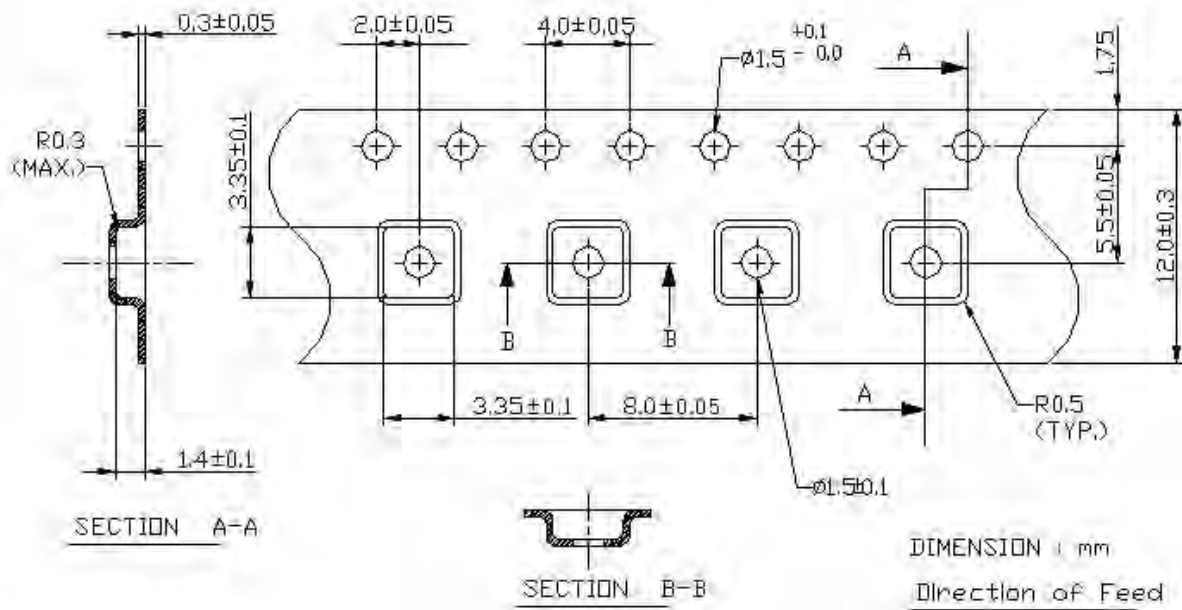
G. PACKING:

1. Reel Dimension

(Reel Count: 7" = 1000; 13" = 3000 or per the request of customer order)



2. Tape Dimension



SAW Filter: 836.50MHz
Part No: MA05675

Model: TA836GG
Rev No: 3

H. RECOMMENDED REFLOW PROFILE:

1. Preheating shall be fixed at 150 ~ 180°C for 60 ~ 90 seconds.
2. Ascending time to preheating temperature 150°C shall be 30 seconds min.
3. Heating shall be fixed at 220°C for 50 ~ 80 seconds and at 245 ~ 260°C peak (min. 10 sec).
4. Time: 2 times.

