

SAW Filter 433MHz
Part No: MA05693

Model: TA0286A
Rev No: 1

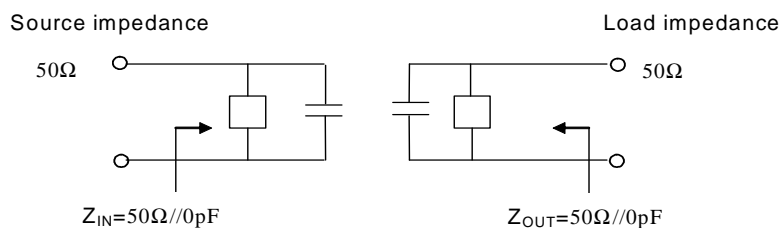
A. MAXIMUM RATING:

1. Input Power Level: 0dBm
2. DC voltage: 10V
3. Operating Temperature: -10°C to +50°C
4. Storage Temperature: -40°C to +85°C

B. ELECTRICAL CHARACTERISTICS:

Item	Min.	Typ.	Max.
Center frequency F_c (dB)	-	433	-
Insertion loss ($F_c \pm 4\text{MHz}$) IL (dB)	-	2.7	4.5
Amplitude ripple ($F_c \pm 4\text{MHz}$) (dB)	-	0.7	2.5
Attenuation (Reference level from 0dB)			
$F_c -100 \sim F_c -40.8\text{MHz}$ (dB)	42	50	-
$F_c +40 \sim F_c +100 \text{MHz}$ (dB)	40	46	-
Source impedance Z_S (Ω)	-	50 Ω // 0pF	-
Load impedance Z_L (Ω)	-	50 Ω // 0pF	-

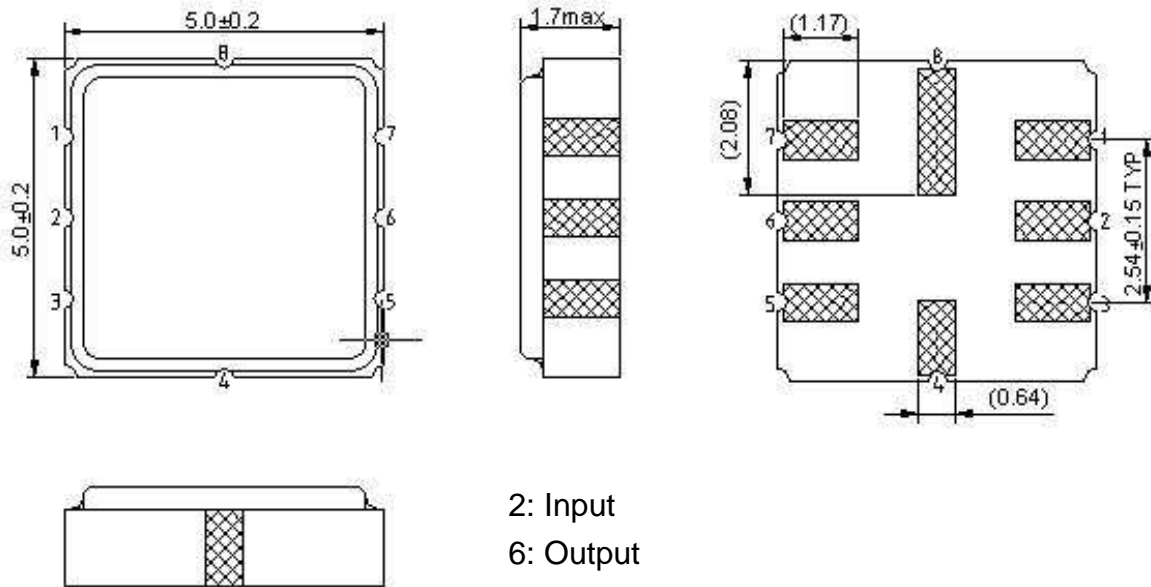
Note: The standard definitions is in JIS C 6703



SAW Filter 433MHz
Part No: MA05693

Model: TA0286A
Rev No: 1

C. OUTLINE DRAWING:

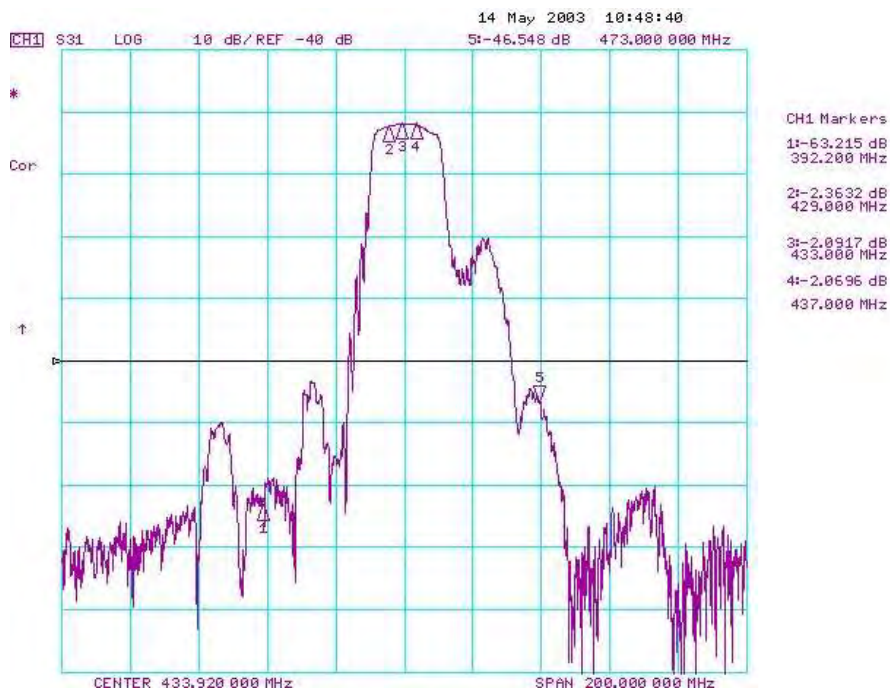
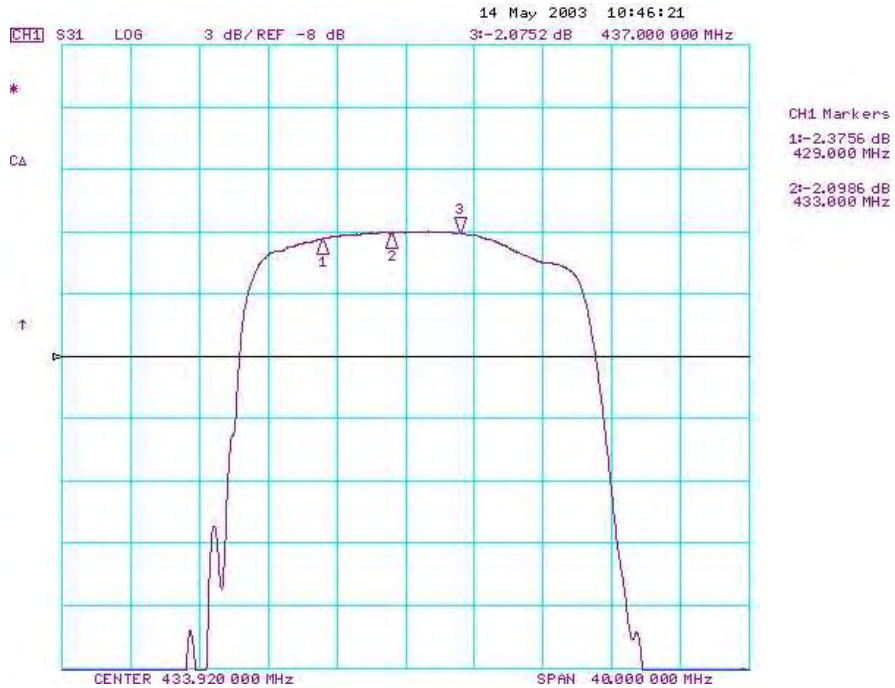


2: Input
6: Output
1, 3, 4, 5, 7, 8: Ground
Unit: mm

SAW Filter 433MHz
Part No: MA05693

Model: TA0286A
Rev No: 1

D. FREQUENCY CHARACTERISTICS:

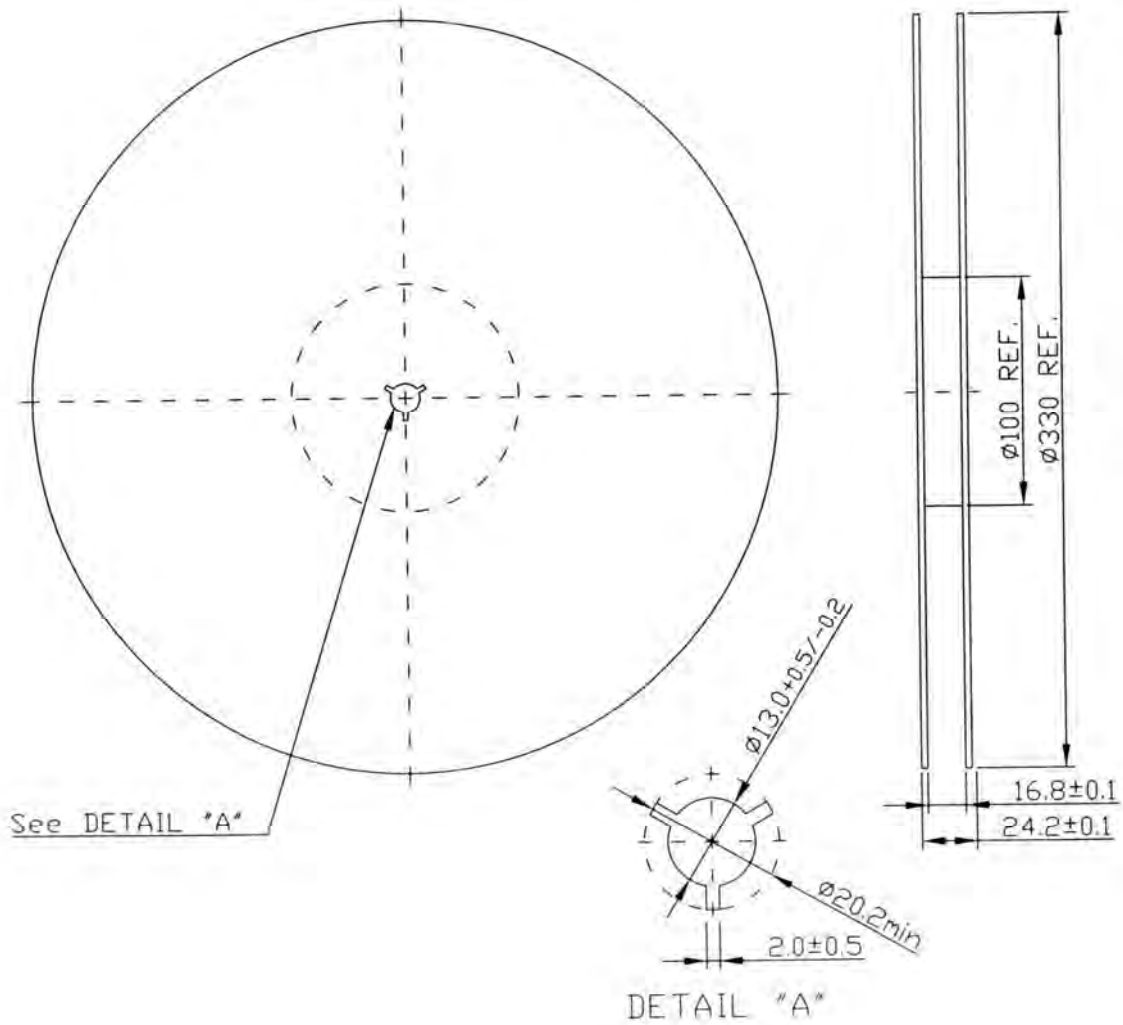


SAW Filter 433MHz
Part No: MA05693

Model: TA0286A
Rev No: 1

E. PACKING:

1. REEL DIMENSION



2. TAPE DIMENSION

