

**SAW Filter 942.50MHz**  
**Part No: MA05955**

**Model: TA942GG**  
**Rev No: 3**

**A. MAXIMUM RATING:**

Electrostatic Sensitive Device (ESD)

1. Input Power Level: 10dBm
2. DC voltage: 3V
3. Operating Temperature: -30°C to +85°C
4. Storage Temperature: -40°C to +85°C

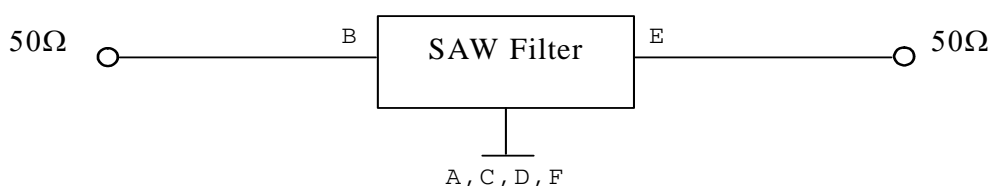
**B. ELECTRICAL CHARACTERISTICS:**

Item	Min.	Typ.	Max.
Center frequency Fc (MHz)	-	942.5	-
Insertion loss (925 ~ 960MHz) IL (dB)	-	2.2	3.0
Amplitude ripple (925 ~ 960MHz) (dB)	-	0.8	1.5
Attenuation (Reference level from 0dB)			
DC ~ 905MHz (dB)	17.0	20.5	-
905 ~ 915MHz (dB)	5.0	15.0	-
980 ~ 1000MHz (dB)	13.0	30.0	-
1000 ~ 2000 MHz (dB)	20.0	23.0	-
VSWR (925 ~ 960MHz)	-	2.2	2.7
Source impedance Z <sub>S</sub> (Ω)	-	50	-
Load impedance Z <sub>L</sub> (Ω)	-	50	-

Note: The standard definitions is in JIS C 6703

**C. MEASUREMENT CIRCUIT:**

HP Network analyzer

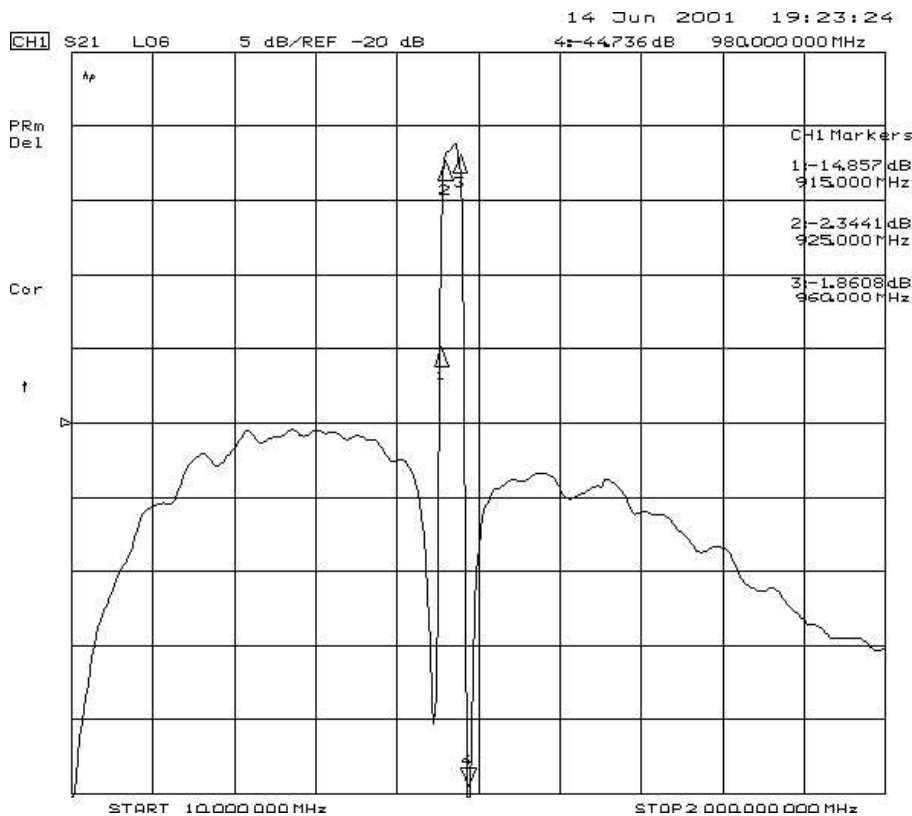
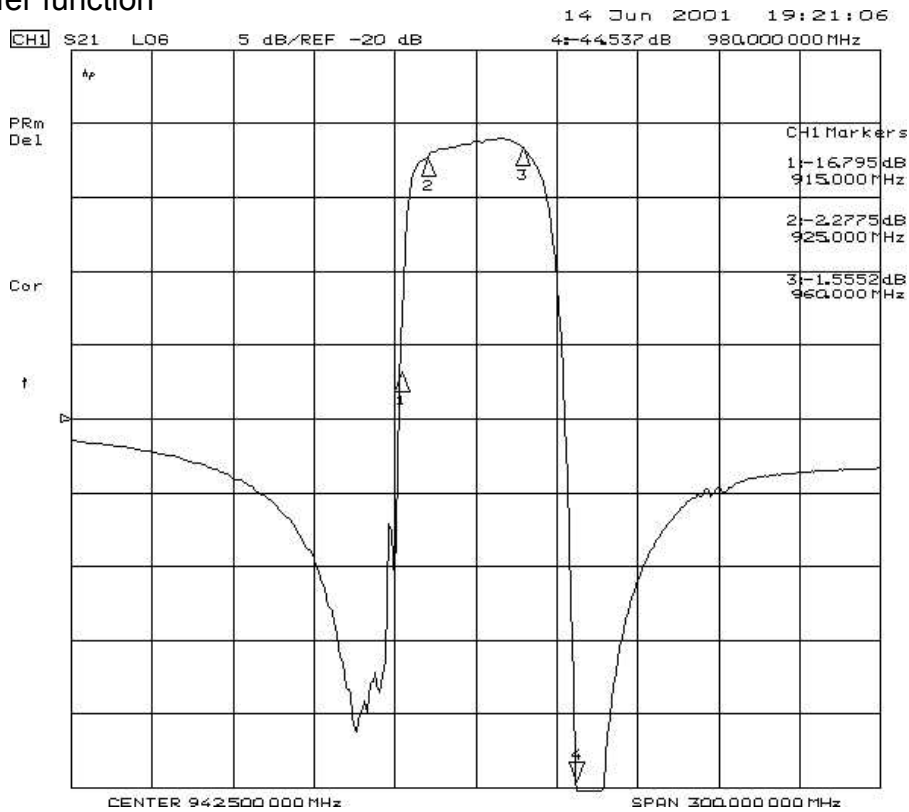


**SAW Filter 942.50MHz**  
**Part No: MA05955**

**Model: TA942GG**  
**Rev No: 3**

**D. FREQUENCY CHARACTERISTICS:**

1. Transfer function

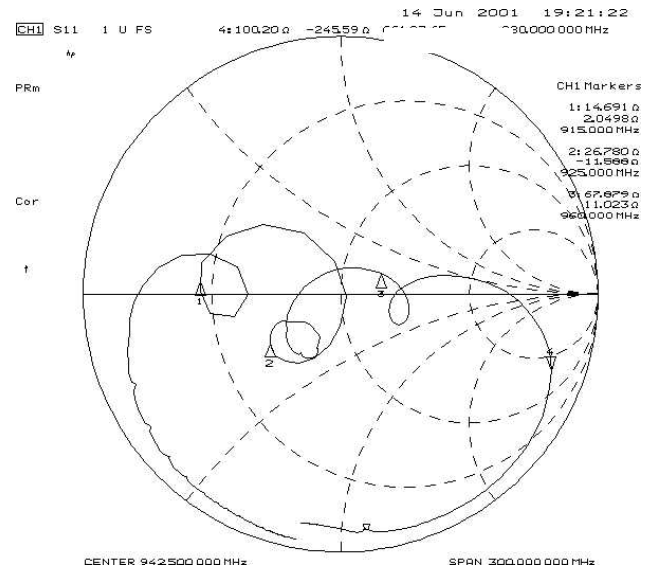
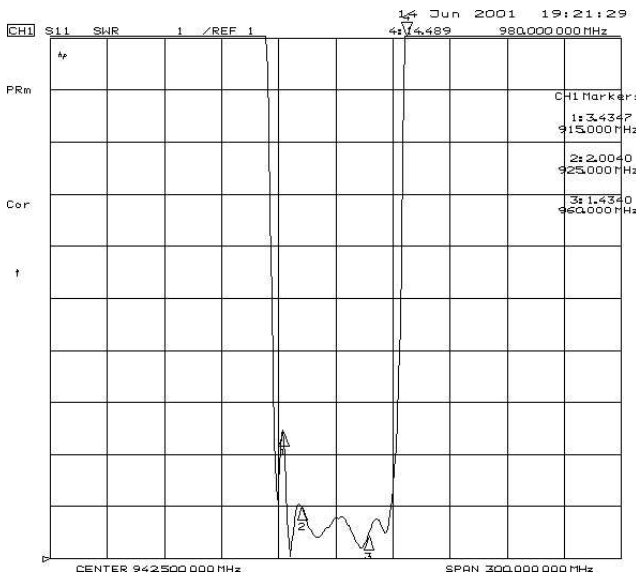


**SAW Filter 942.50MHz**  
**Part No: MA05955**

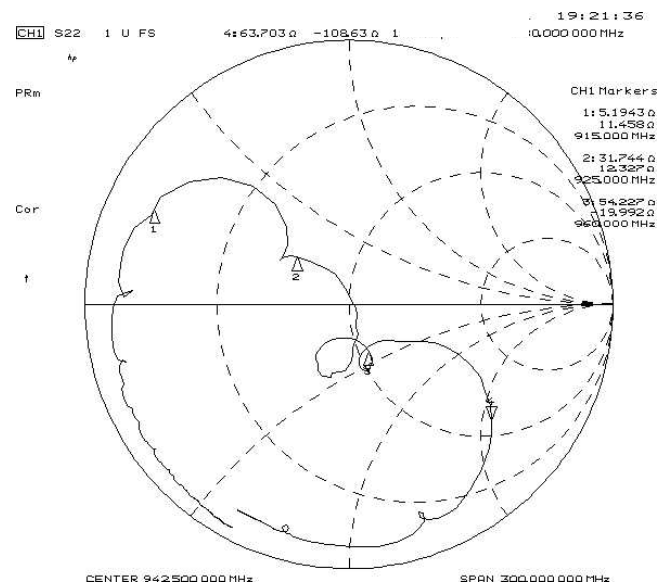
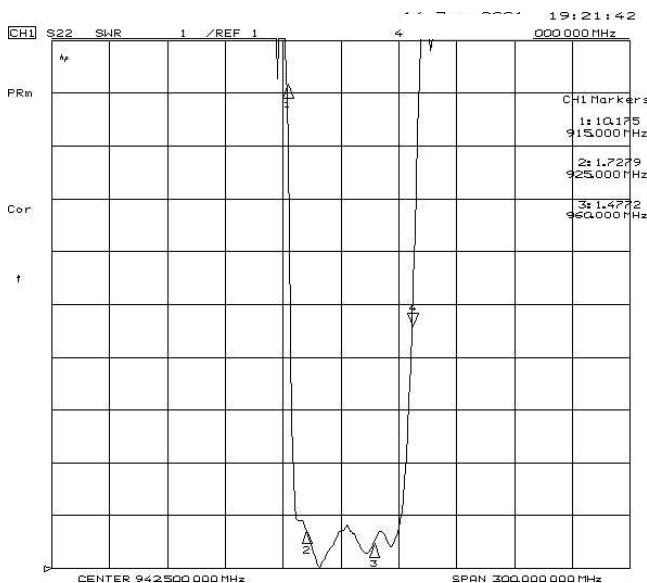
**Model: TA942GG**  
**Rev No: 3**

2. Reflections Functions

S11 VSWR



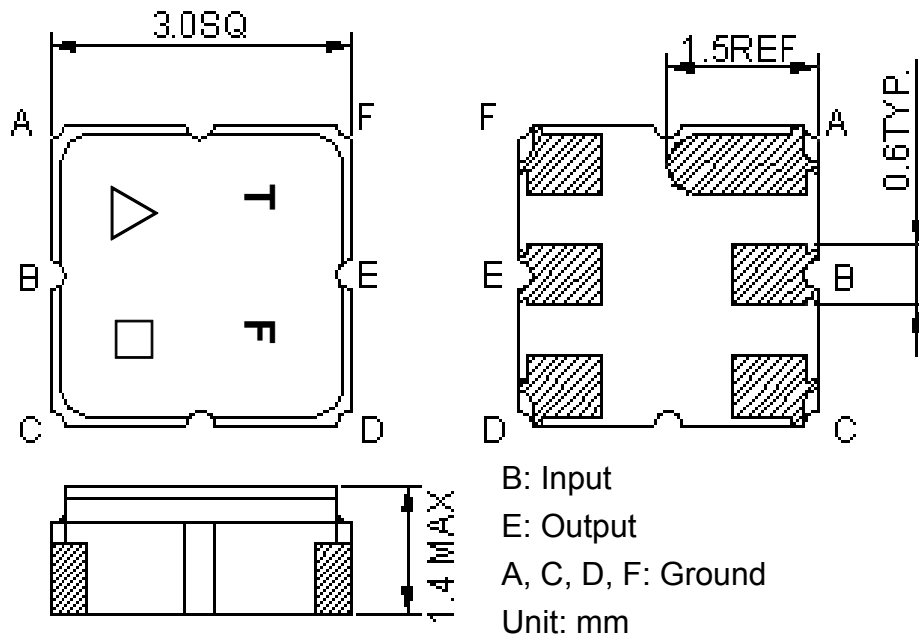
S22 VSWR



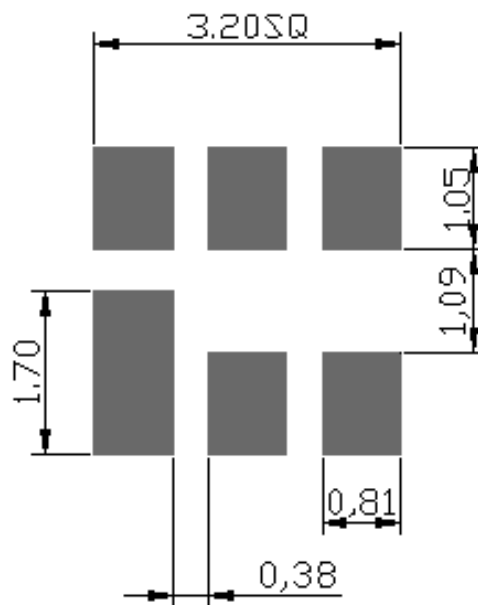
**SAW Filter 942.50MHz**  
**Part No: MA05955**

**Model: TA942GG**  
**Rev No: 3**

**E. OUTLINE DRAWING:**



**F. PCB FOOTPRINT:**

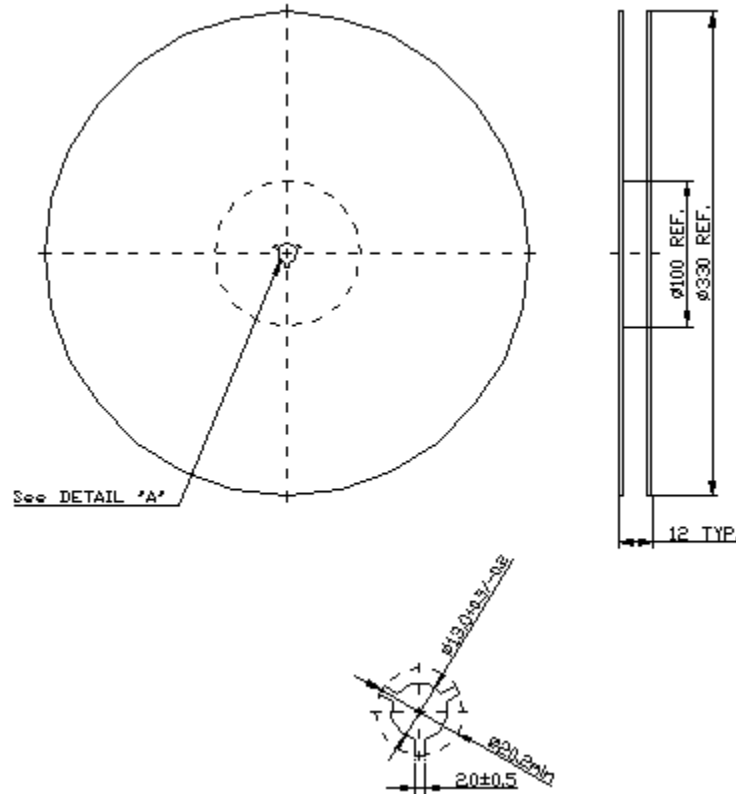


**SAW Filter 942.50MHz**  
**Part No: MA05955**

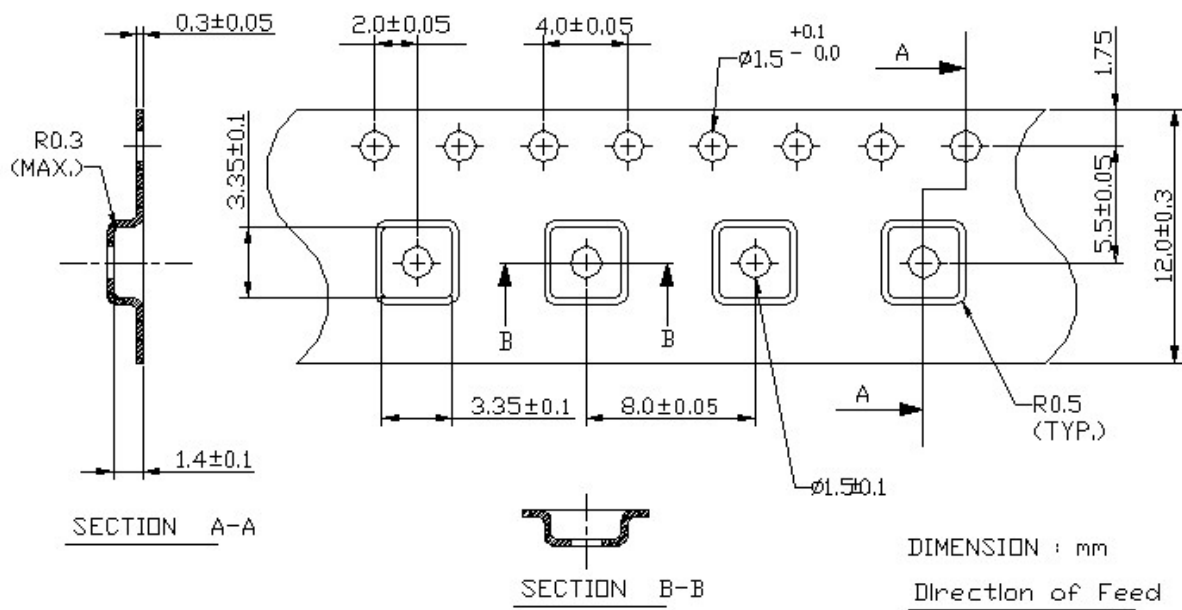
**Model: TA942GG**  
**Rev No: 3**

**G. PACKING:**

1. Reel Dimension (Reel Count: 7" = 1000; 13" = 3000 or per the request of customer order)



**2. Tape Dimension**



**SAW Filter 942.50MHz**  
**Part No: MA05955**

**Model: TA942GG**  
**Rev No: 3**

**H. RECOMMENDED REFLOW PROFILE:**

1. Preheating shall be fixed at 150 ~ 180°C for 60 ~ 90 seconds.
2. Ascending time to preheating temperature 150°C shall be 30 seconds min.
3. Heating shall be fixed at 220°C for 50 ~ 80 seconds and at 245 ~ 260°C peak (min. 10sec).
4. Time: 2 times.

