

SAW Filter 315MHz
Part No: MA06217

Model: TA0301A
Rev No: 3

A. MAXIMUM RATING:

1. Input Power Level: 10dBm
2. DC voltage: 6V
3. Operating Temperature: -40°C to +125°C
4. Storage Temperature: -40°C to +125°C

B. ELECTRICAL CHARACTERISTICS:

TA= -40°C to +95°C

Item	Min.	Typ.	Max.	Note
Center frequency Fc (MHz)	-	315	-	1
Minimum IL (314.82 ~ 315.22MHz) (dB) IL min	-	2.2	4.0	
Pass band (relative to IL min)				
314.77 ~ 315.2MHz (dB)	-	1.5	3.0	1
314.71 ~ 315.26 MHz (dB)	-	2.0	6.0	
Pass bandwidth (relative to IL min) BW3 (kHz)	800	920	-	
Attenuation: (relative to IL min) (dB)				
10 ~ 270MHz (dB)	45	50	-	
270 ~ 309MHz (dB)	30	35	-	1
309 ~ 313.94MHz (dB)	15	20	-	
316 ~ 335MHz (dB)	10	15	-	
335 ~ 400MHz (dB)	35	40	-	
400 ~ 1000MHz (dB)	45	50	-	
Impedance at Fc; Input $Z_{IN} = R_{IN} // C_{IN}$	373Ω // 5.0pF			
Output $Z_{OUT} = R_{OUT} // C_{OUT}$	373Ω // 5.0pF			

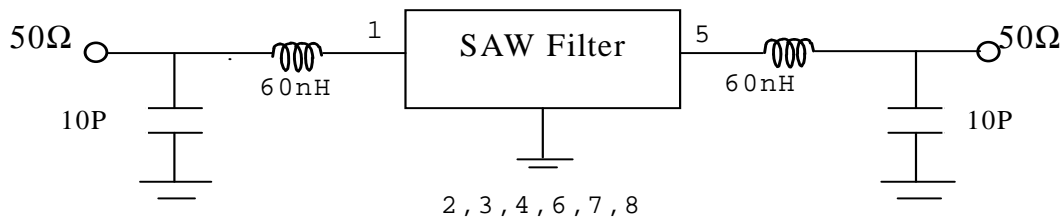
Note 1: The standard definitions is in JIS C 6703

SAW Filter 315MHz
Part No: MA06217

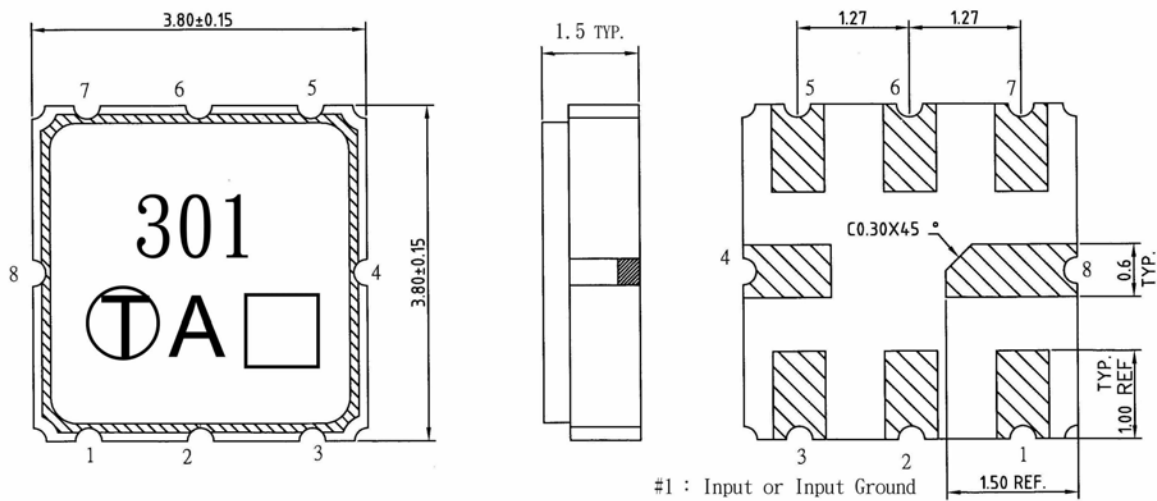
Model: TA0301A
Rev No: 3

C. MEASUREMENT CIRCUIT:

HP Network analyzer



D. OUTLINE DRAWING:

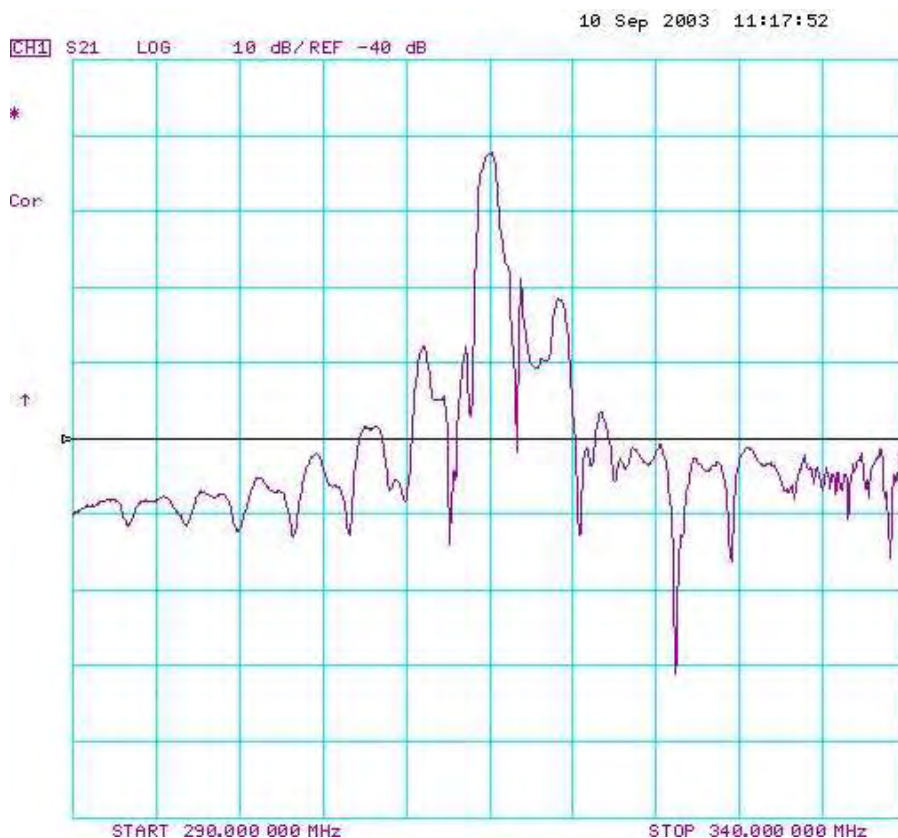


- #1 : Input or Input Ground
 - #2 : Input Ground or Input
 - #5 : Output
 - #6 : Output Ground
 - #4、8 : Case Ground
 - #3、7 : Ground
 - : Date code
- Unit : mm

SAW Filter 315MHz
Part No: MA06217

Model: TA0301A
Rev No: 3

E. FREQUENCY CHARACTERISTICS:

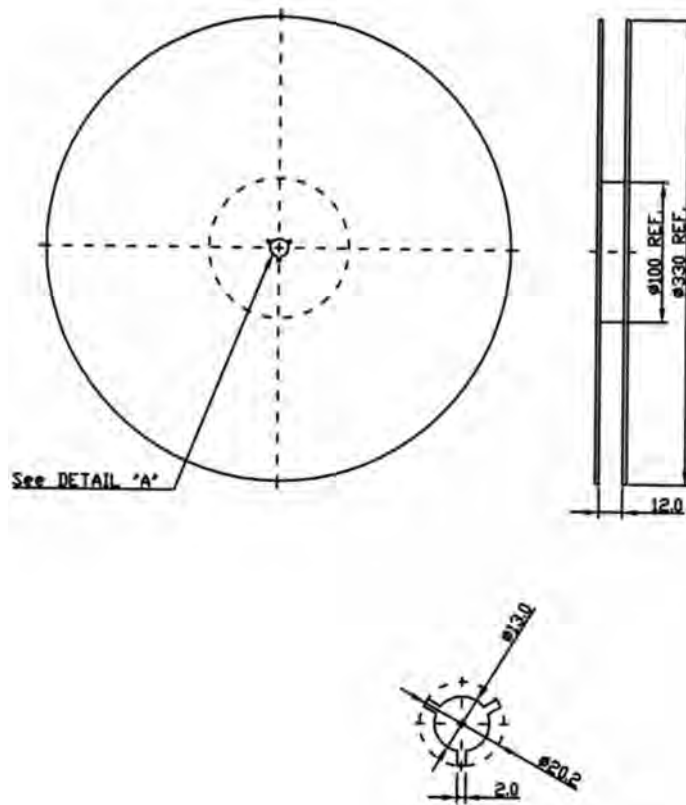


SAW Filter 315MHz
Part No: MA06217

Model: TA0301A
Rev No: 3

F. PACKING:

1. REEL DIMENSION



2. TAPE DIMENSION

