

SAW Filter 942.5MHz
Part No: MA06345

Model: TA0231A
Rev No: 2

A. MAXIMUM RATING:

1. Operating Temperature: -20°C ~ +75°C
2. Storage Temperature: -40°C ~ +85°C

B. ELECTRICAL CHARACTERISTICS:

Singled to Balanced operation

Terminating source impedance: $Z_S = 50\Omega$

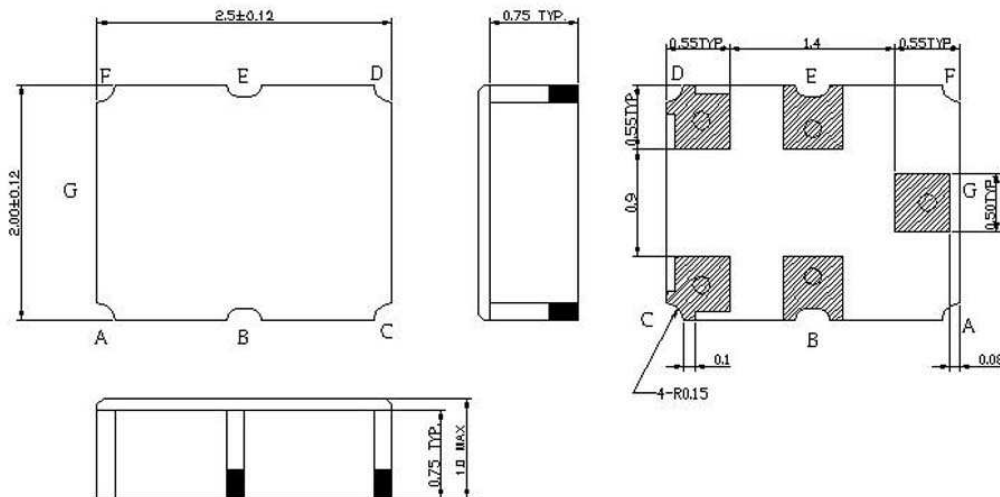
Terminating load impedance: $Z_L = 200 // 50nH$

Item	Value			Note
	Min.	Typ.	Max.	
Center frequency Fc MHz	-	942.5	-	-
Insertion loss (925 ~ 960MHz) IL (dB)	-	2.8	4.0	-
Ripple (925 ~ 960MHz) (dB)	-	1.0	2.4	-
Input VSWR (925 ~ 960MHz)	-	1.8	2.5	-
Output VSWR (925 ~ 960MHz)		1.8	2.5	
Attenuation: (Reference level from 0dB)				
0 ~ 880MHz (dB)	50	52	-	-
880 ~ 905MHz (dB)	30	44	-	-
905 ~ 915MHz (dB)	10	27	-	-
980 ~ 1050MHz (dB)	21	27	-	-
1050 ~ 6000MHz (dB)	50	54	-	-
Symmetry in band (referenced to the matched operating condition)				
Output amplitude balance ($ S_{31}/S_{21} $) (925 ~ 960MHz) (dB)	-1.3	0	1.3	
Output phase balance ($\phi(S_{31})-\phi(S_{21})+180^\circ$) (925 ~ 960MHz) degree	-10	0	10	

SAW Filter 942.5MHz
Part No: MA06345

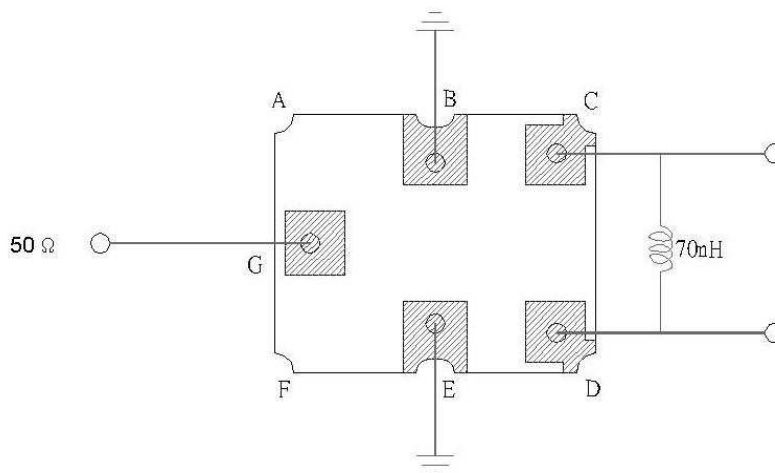
Model: TA0231A
Rev No: 2

C. OUTLINE DRAWING:



G: Unbalance input
 C, D: Balance output
 B, E: Ground

D. MEASUREMENT CIRCUIT:

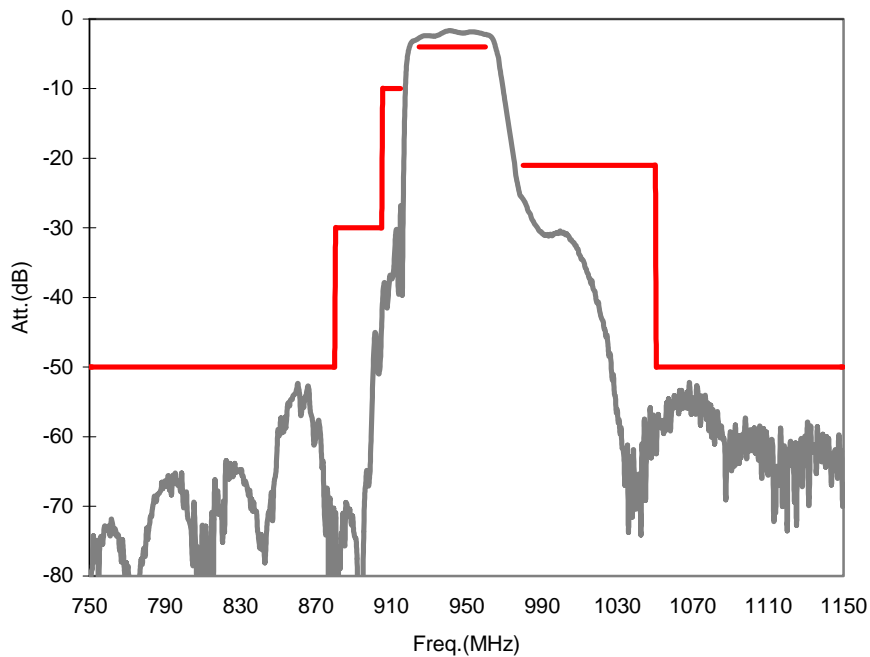


SAW Filter 942.5MHz
Part No: MA06345

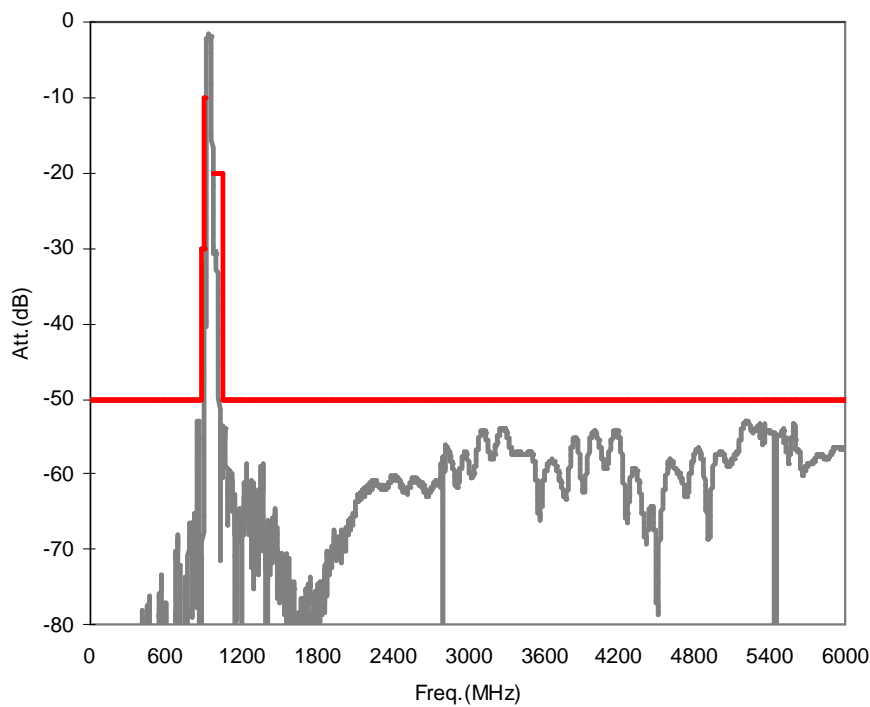
Model: TA0231A
Rev No: 2

E. FREQUENCY CHARACTERISTICS:

1. Transfer function (25°C)



2. (wideband)

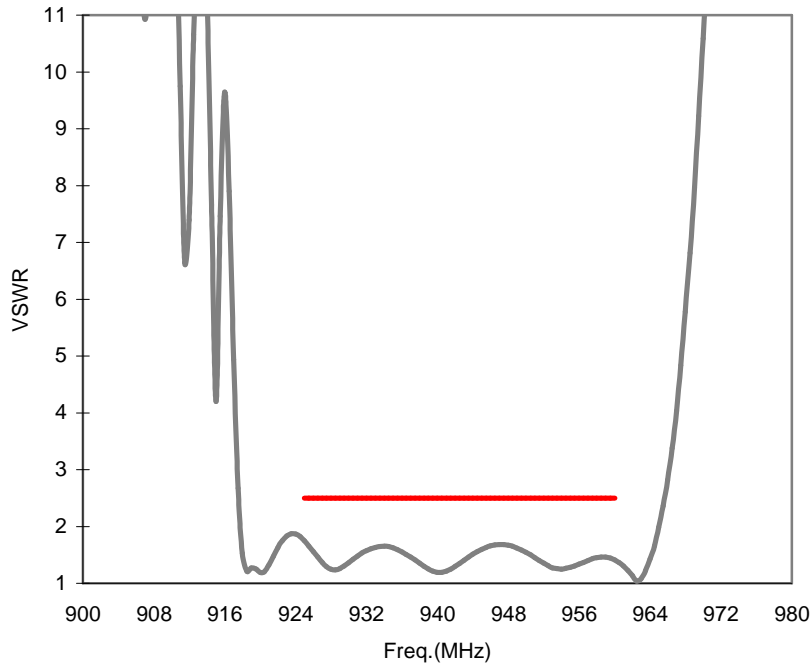


SAW Filter 942.5MHz
Part No: MA06345

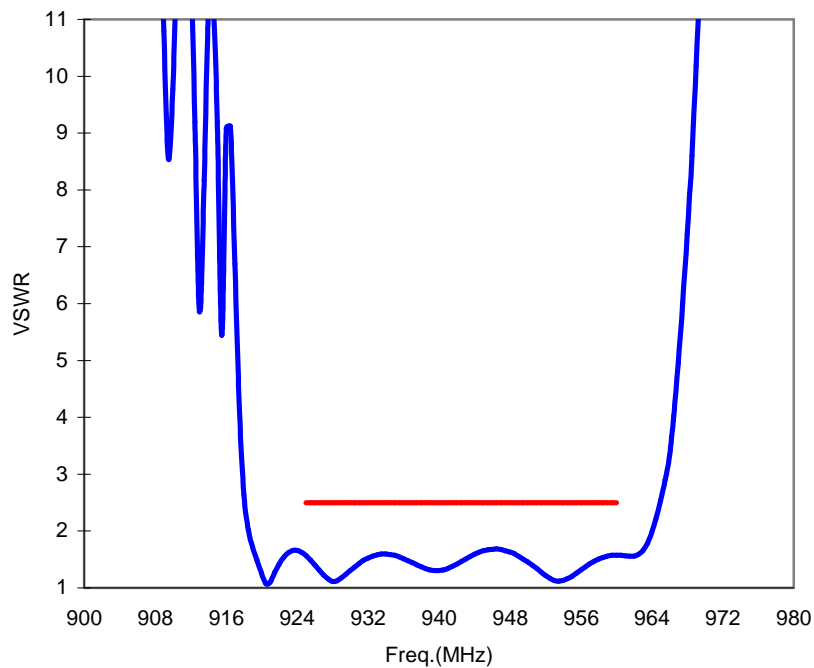
Model: TA0231A
Rev No: 2

3. VSWR (25°C)

Unbalanced Input



Balanced Output

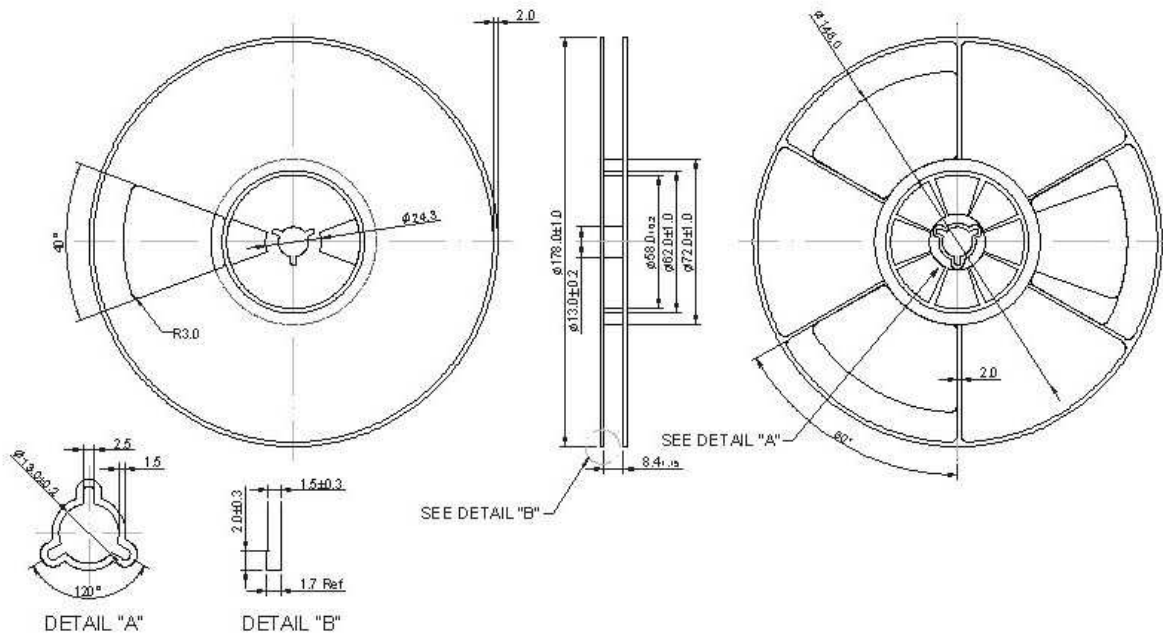


SAW Filter 942.5MHz
Part No: MA06345

Model: TA0231A
Rev No: 2

F. PACKING:

1. REEL DIMENSION



2. TAPE DIMENSION

