

SAW Filter 802.0MHz
Part No: MA06357

Model: TA0450A
Rev No: 1

A. MAXIMUM RATING:

1. Input Power Level: 15dBm
2. DC voltage: 5V
3. Operating Temperature: -10°C to 60°C
4. Storage Temperature: -40°C to +85°C

B. CHARACTERISTICS:

Item	Unit	Min.	Typ.	Max.
Center frequency Fc MHz		-	802	-
Insertion loss 798 ~ 806MHz IL	dB	-	2.5	4.2
Amplitude ripple 798 ~ 806MHz	dB	-	0.3	2.0
VSWR 798 ~ 806MHz		-	1.4	2.2
Attenuation				
10.0 ~ 730.0 MHz	dB	40	59	-
730.0 ~ 765.0 MHz	dB	36	57	-
840.0 ~ 860.0 MHz	dB	35	55	-
860.0 ~ 880.0 MHz	dB	36	55	-
880.0 ~ 1000.0 MHz	dB	40	55	-
Source impedance Z _S	Ω	-	50	-
Load impedance Z _L	Ω	-	50	-

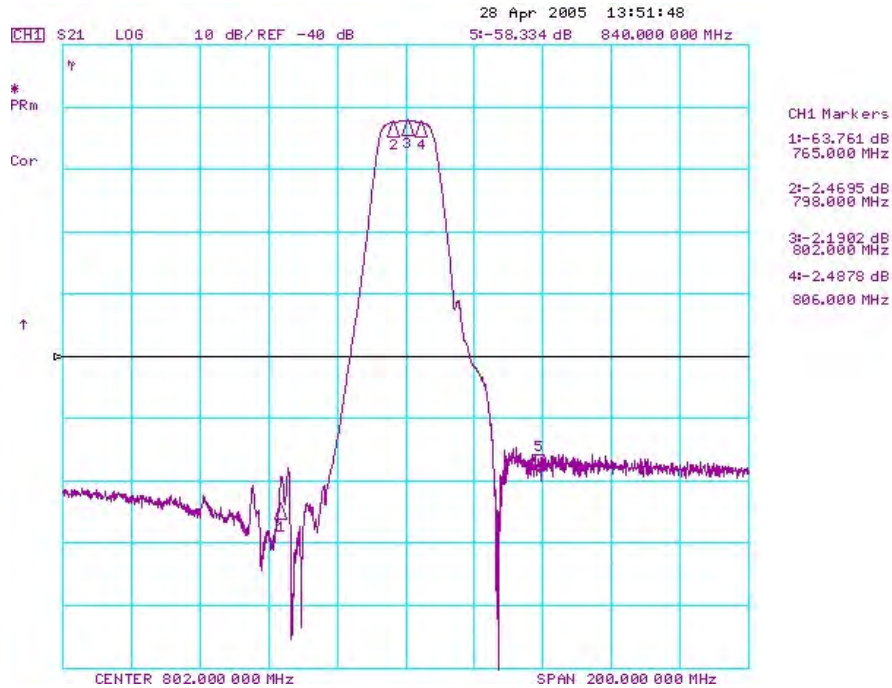
Note: No matching network required for operation at 50Ω

SAW Filter 802.0MHz
Part No: MA06357

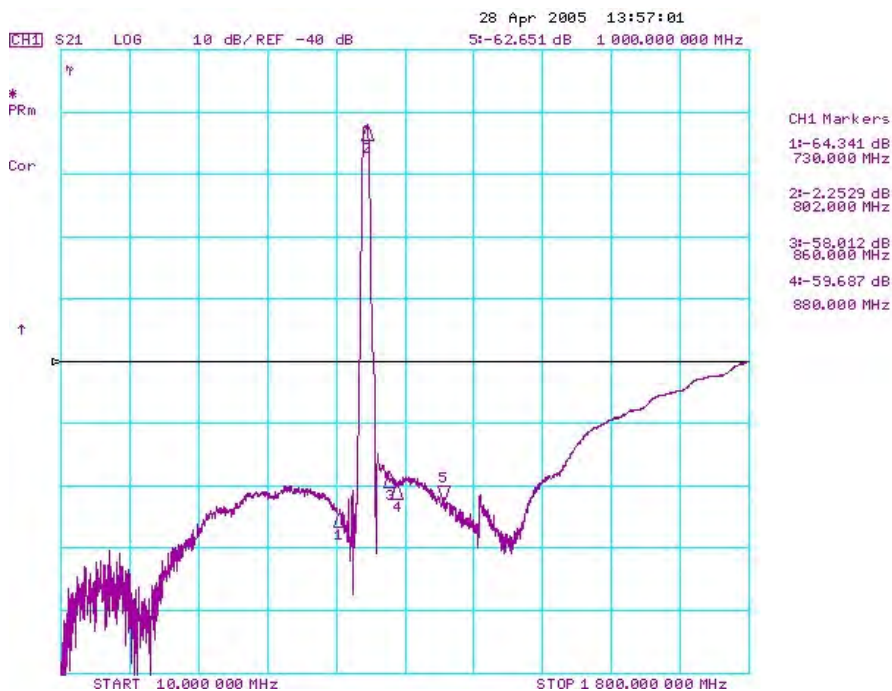
Model: TA0450A
Rev No: 1

C. FREQUENCY CHARACTERISTICS:

1. Transfer Function:



2. Wideband

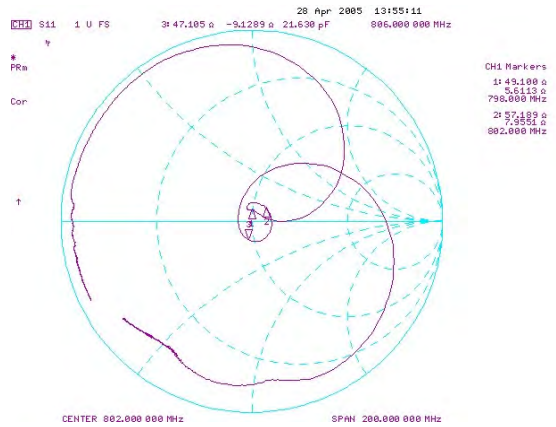
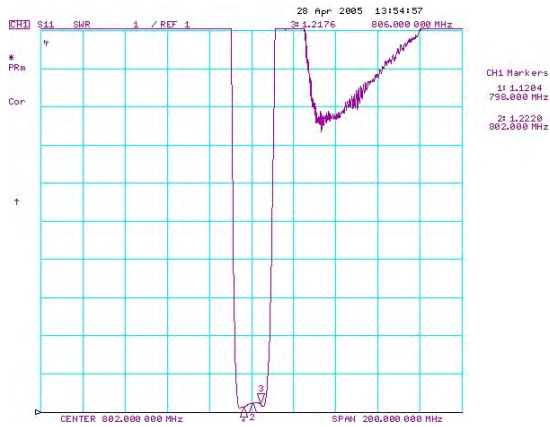


SAW Filter 802.0MHz
Part No: MA06357

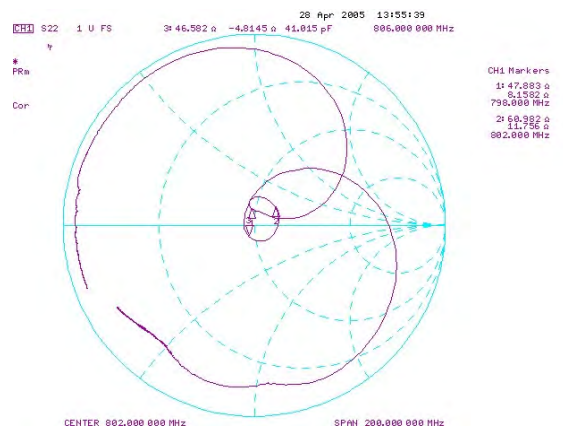
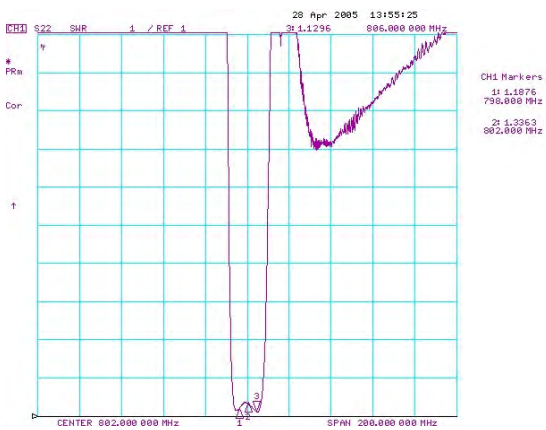
Model: TA0450A
Rev No: 1

3. Reflection Functions

S11



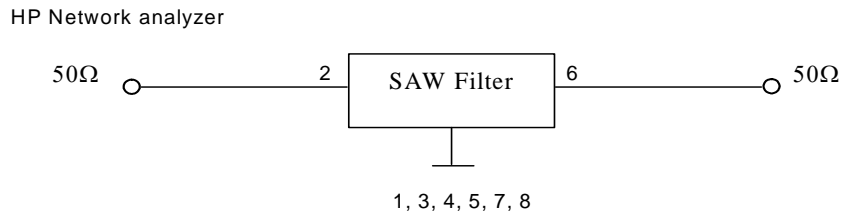
S22



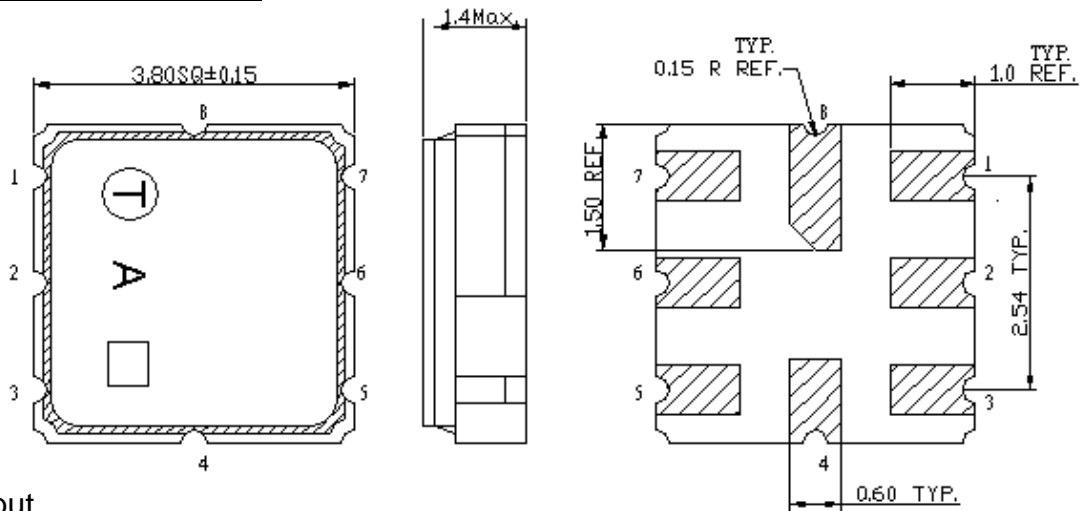
SAW Filter 802.0MHz
Part No: MA06357

Model: TA0450A
Rev No: 1

D. MEASUREMENT CIRCUIT:

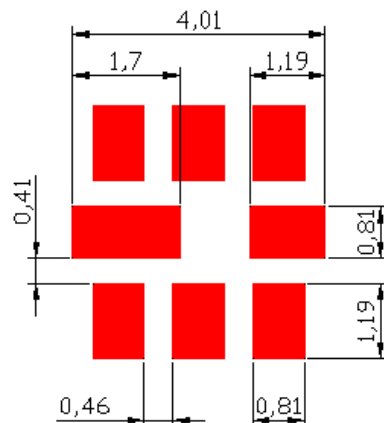


E. OUTLINE DRAWING:



- 2: Input
- 6: Output
- 1, 3, 4, 5, 7, 8: Ground
- Unit: mm

F. PCB FOOTPRINT:

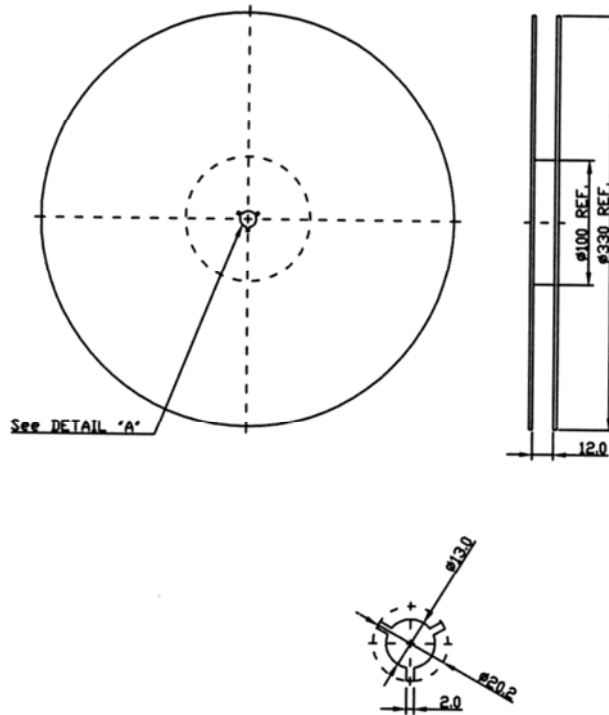


SAW Filter 802.0MHz
Part No: MA06357

Model: TA0450A
Rev No: 1

G. PACKING:

1. REEL DIMENSION



2. TAPE DIMENSION

