

SAW Filter 808.0MHz

Model: TA0451A

Part No: MA06358

REV. NO.: 1

A. MAXIMUM RATING:

1. Input Power Level: 15 dBm
2. DC voltage: 5 V
3. Operating Temperature: -10°C to 60°C
4. Storage Temperature: -40°C to +85°C

B. CHARACTERISTICS:

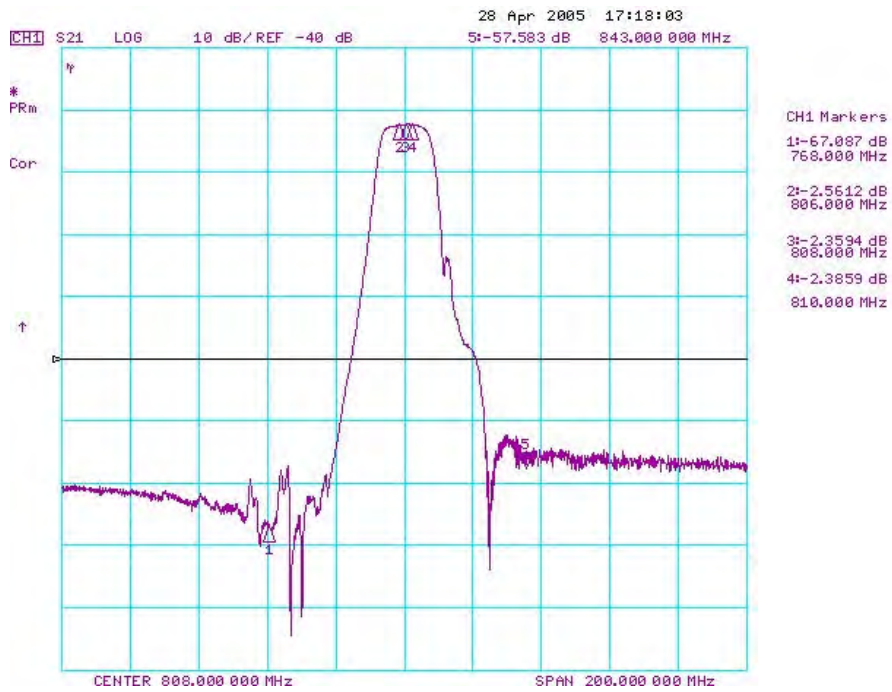
Item				Min.	Typ.	Max.
Center frequency	Fc	MHz		-	808	-
Insertion loss	806 ~ 810 MHz	IL	dB	-	2.6	4.2
Amplitude ripple	806 ~ 810 MHz		dB	-	0.3	2.0
VSWR	806 ~ 810 MHz			-	1.4	2.2
Attenuation						
	10.0 ~ 735.0	MHz	dB	40	60	-
	735.0 ~ 768.0	MHz	dB	35	57	-
	843.0 ~ 865.0	MHz	dB	35	53	-
	865.0 ~ 885.0	MHz	dB	37	55	-
	885.0 ~ 1000.0	MHz	dB	40	55	-
Source impedance	Zs		Ω	-	50	-
Load impedance	ZL		Ω	-	50	-

Note1. No matching network required for operation at 50Ω

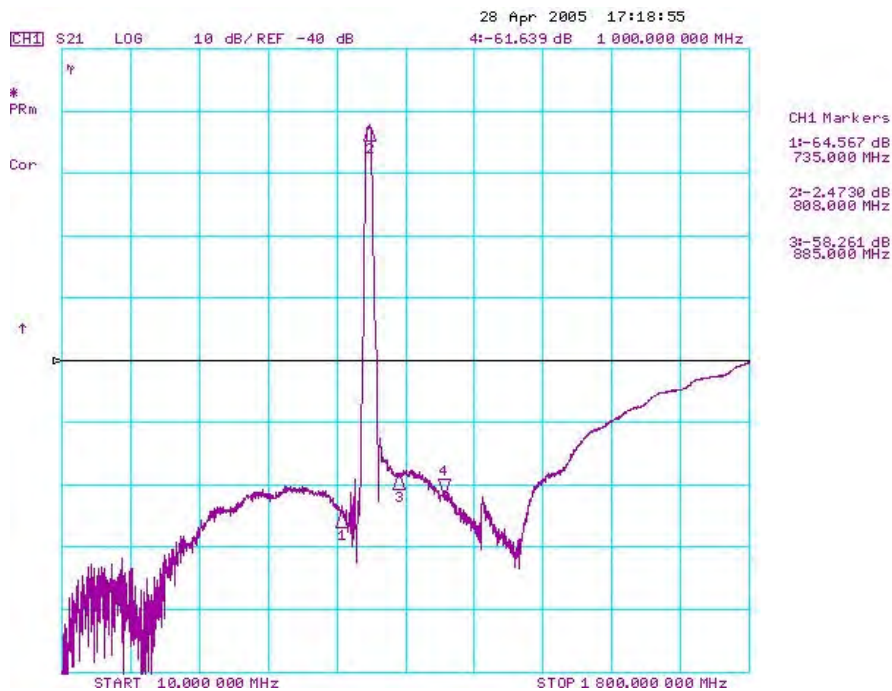
SAW Filter 808.0MHz
Part No: MA06358

Model: TA0451A
REV. NO.: 1

C. TRANSFER FUNCTION:



Wideband

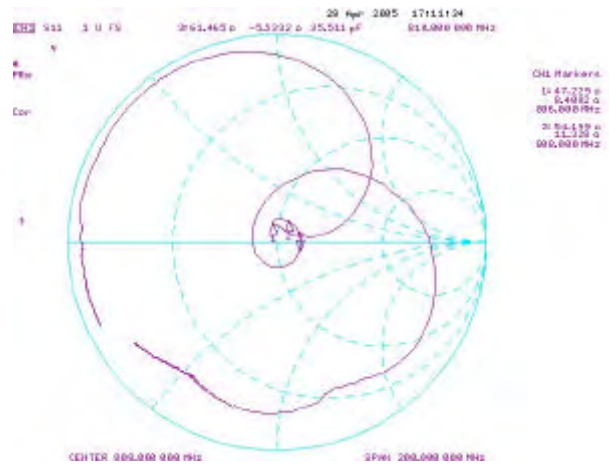
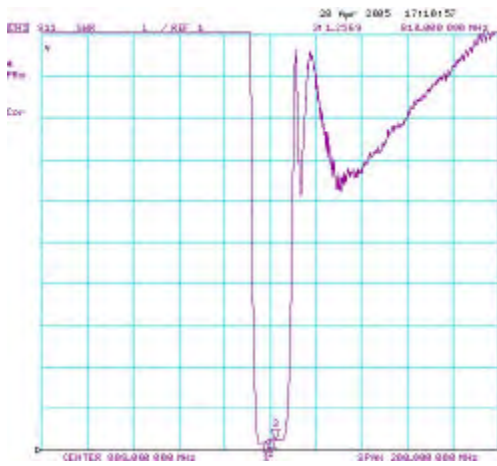


SAW Filter 808.0MHz
Part No: MA06358

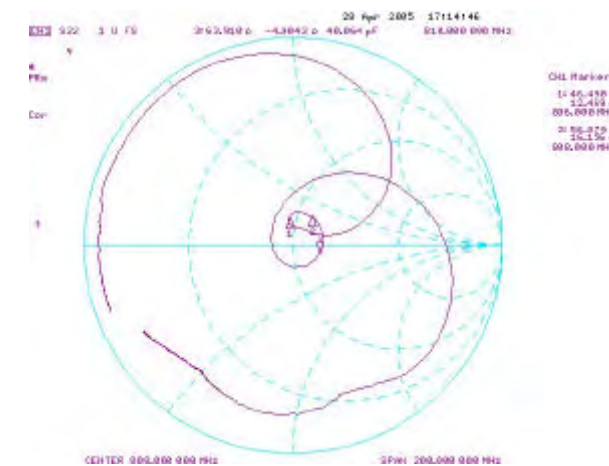
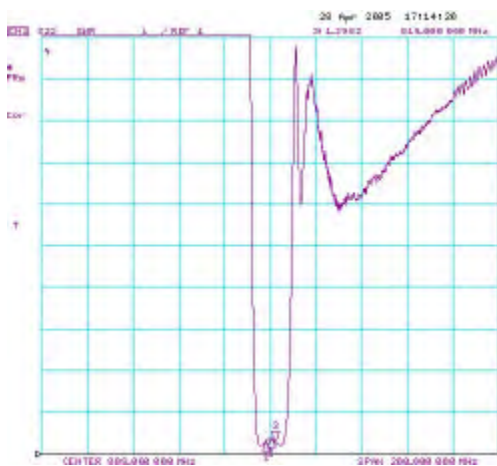
Model: TA0451A
REV. NO.: 1

D. REFLECTION FUNCTIONS:

S11



S22



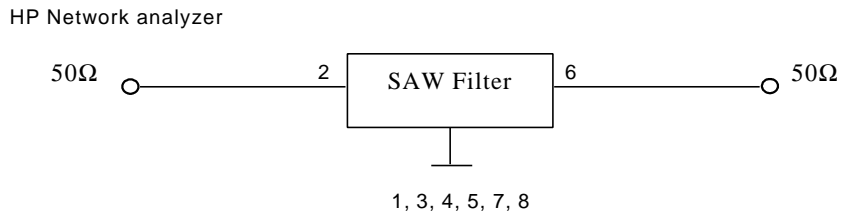
SAW Filter 808.0MHz

Model: TA0451A

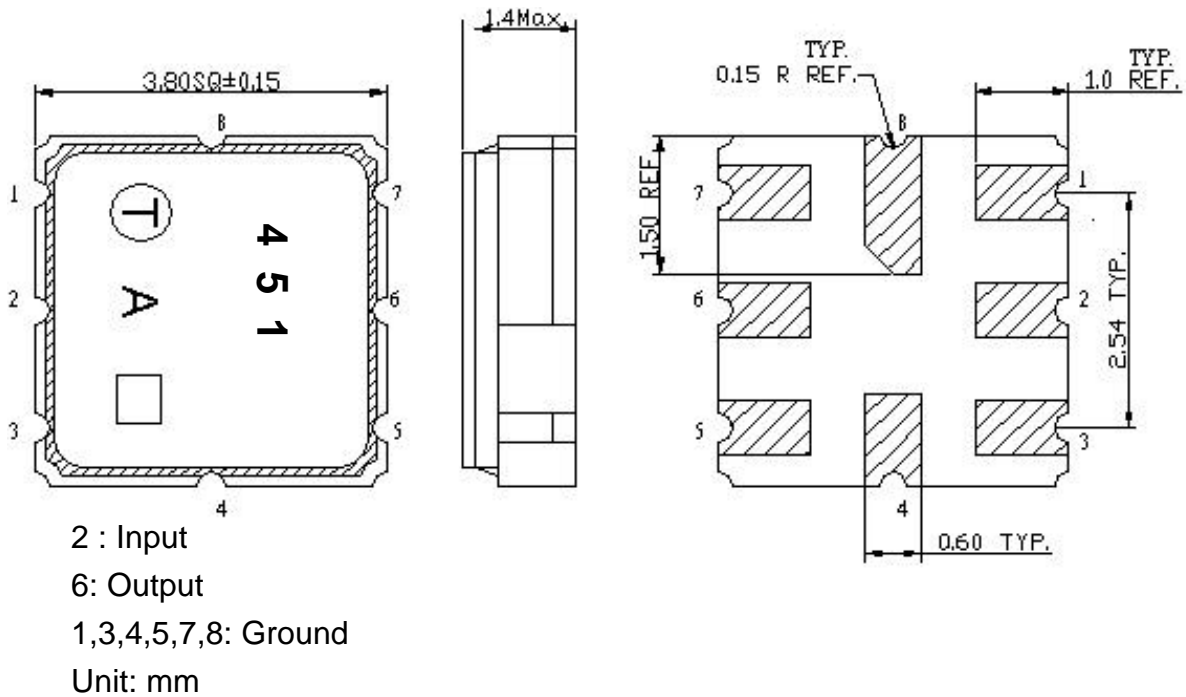
Part No: MA06358

REV. NO.: 1

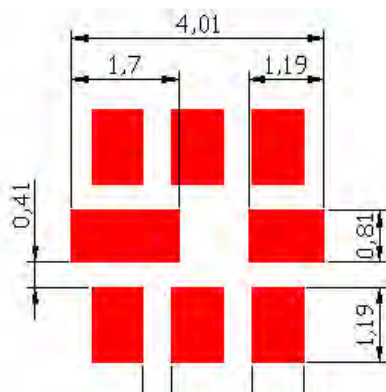
E. MEASUREMENT CIRCUIT:



F. OUTLINE DRAWING:



G. PCB FOOTPRINT:

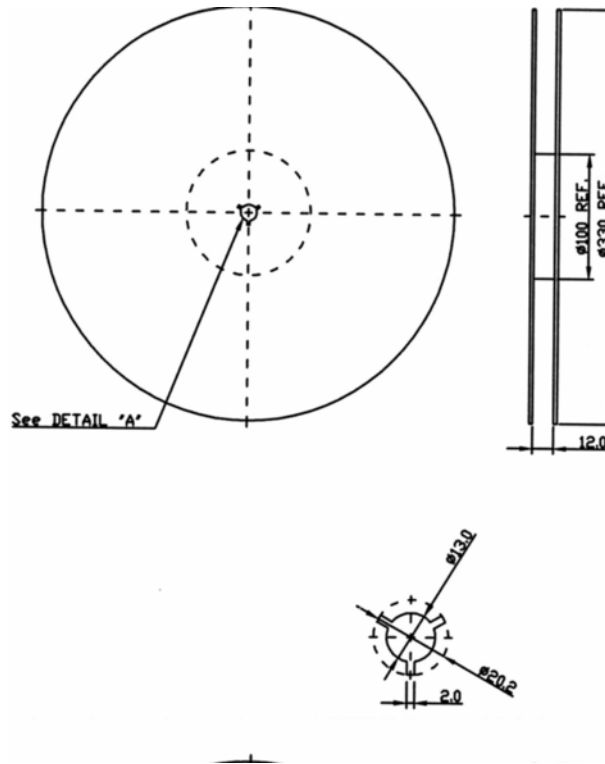


SAW Filter 808.0MHz
Part No: MA06358

Model: TA0451A
REV. NO.: 1

H. PACKING:

1. REEL DIMENSION



2. TAPE DIMENSION

