
433.420MHz SAW Resonator

Model: TD0114A**Part No: MA06487****REV. NO.: 1**

A. FEATURES:

1. 2-Port Resonator.
2. nominal 180° -phase at resonance.

B. MAXIMUM RATING:

1. Power Dissipation: 0 dBm.
2. DC voltage: 12 V.
3. Storage Temperature: -40 °C to 85 °C.
4. Operating Temperature: -40 °C to 85 °C

C. ELECTRICAL CHARACTERISTICS:

Characteristic	Units	Minimum	Typical	Maximum
Center frequency Fr	MHz	434.345	434.420	434.495
Insertion Loss IL	dB	-	7.0	9.0
Equivalent Elements				
Motional capacitance C1	fF	-	0.26	-
Motional inductance L1	μH	-	510	-
Motional resistance R1	Ohm	-	125	182
Parallel capacitance Co	pF	2.3	2.6	2.9
Temp.coeff.	ppm/°C²	-	0.032	-
Package size		SMD5X5X1.4		

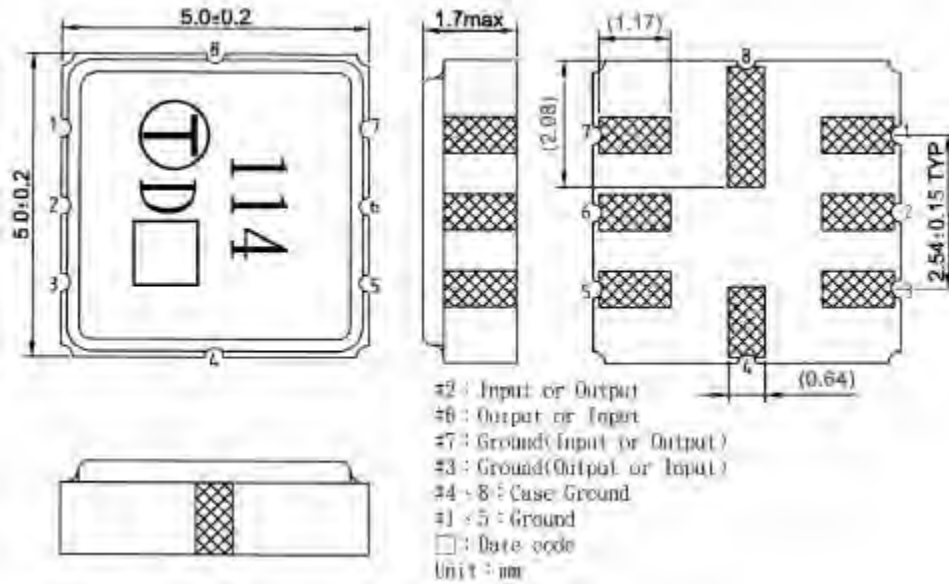
433.420MHz SAW Resonator

Model: TD0114A

Part No: **MA06487**

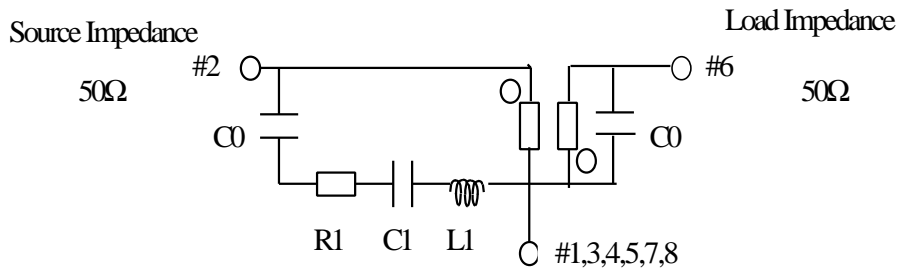
REV. NO.: 1

D. OUTLINE DRAWING:



E. EQUIVALENT CIRCUIT:

Two-Port Resonator:



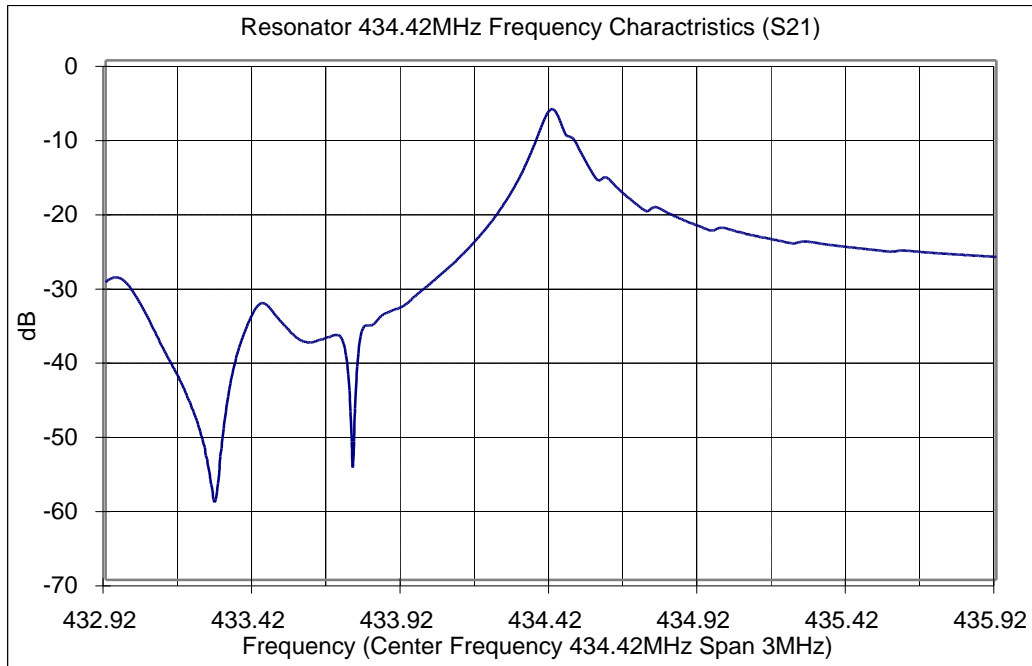
433.420MHz SAW Resonator

Model: TD0114A

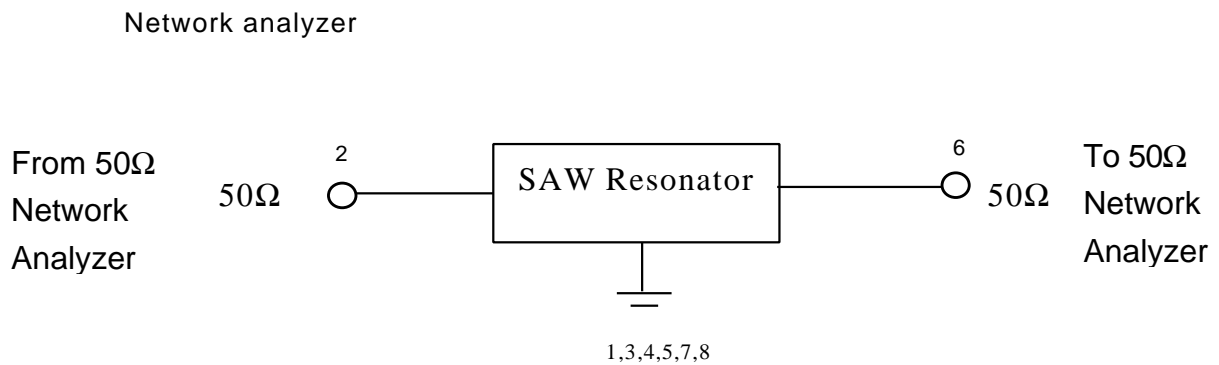
Part No: MA06487

REV. NO.: 1

F. FREQUENCY CHARACTERISTICS:



G. TEST CIRCUIT:



433.420MHz SAW Resonator

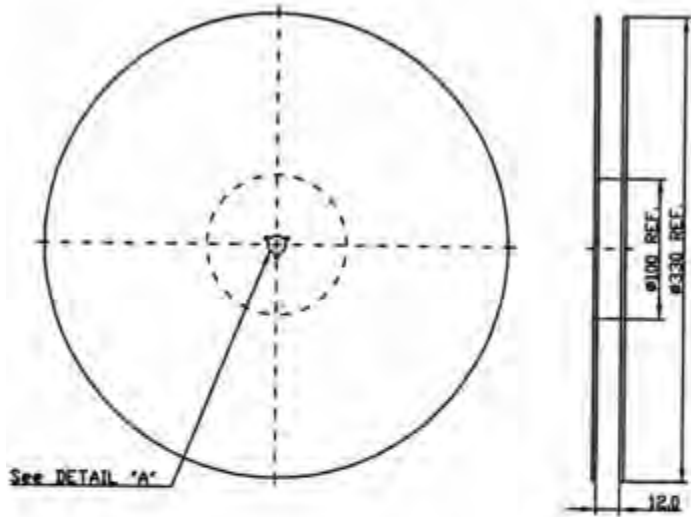
Model: TD0114A

Part No: **MA06487**

REV. NO.: 1

F. PACKING:

1. REEL DIMENSION



2. TAPE DIMENSION

