

SAW Filter: 70.0MHz

Model: TB0230A

Part No: MA06843

Rev No: 5

A. MAXIMUM RATING:

Electrostatic Sensitive Device

1. Input Power Level: +10dBm
2. Operating Temperature: -30°C to +80°C
3. Storage Temperature: -40°C to +85°C

B. ELECTRICAL CHARACTERISTICS:

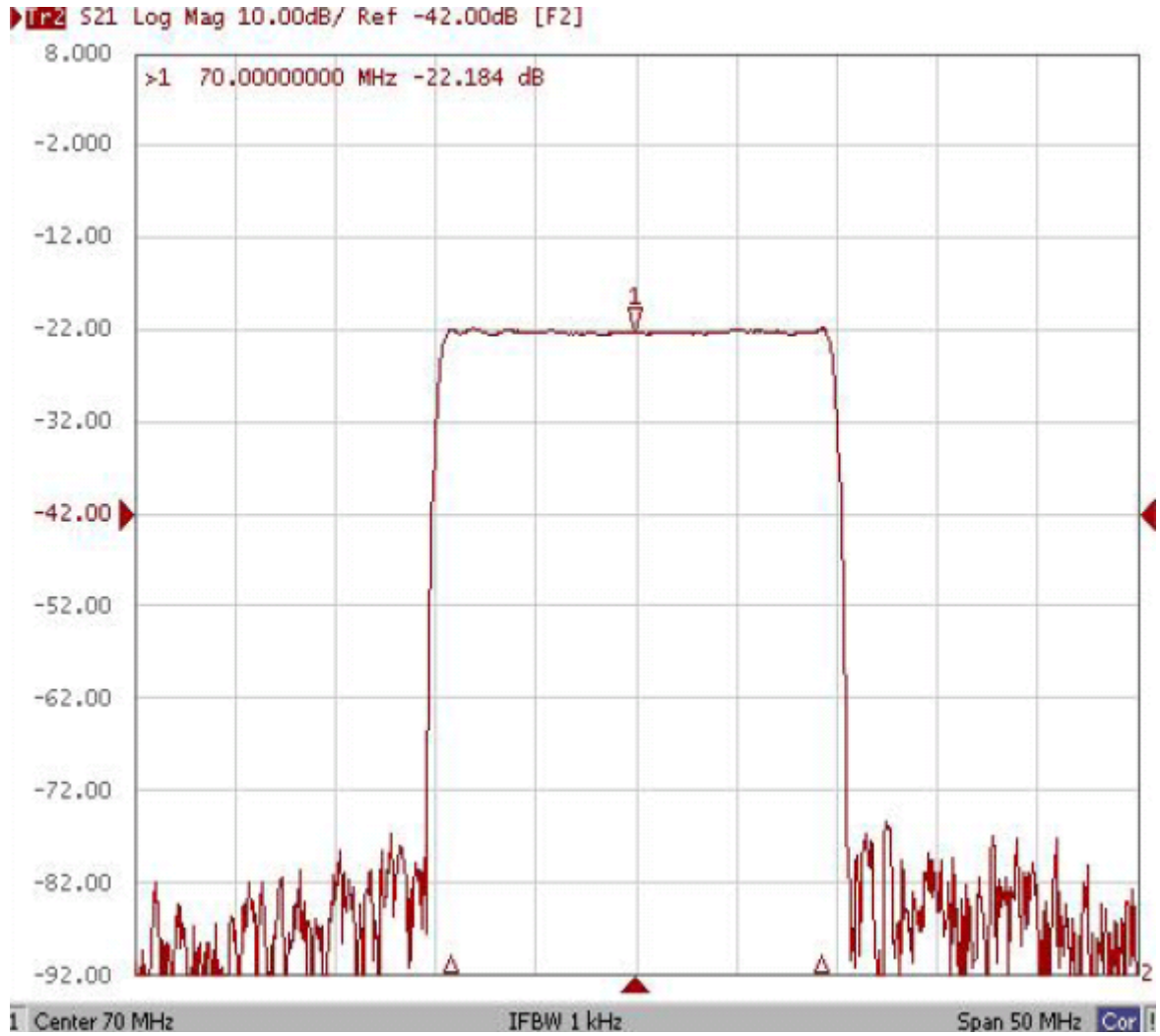
Parameters	Unit	Min.	Typ.	Max.
Center frequency Fc	MHz	-	70.0	-
Insertion Loss IL	dB	-	22.5	24.0
1dB Bandwidth	MHz	-	19.15	-
3dB Bandwidth	MHz	19.2	19.47	-
50dB Bandwidth	MHz	-	20.92	21.0
Relative Attenuation:				
Lower Sidelobe	dB	50	55	-
Upper Sidelobe	dB	50	55	-
Amplitude ripple within Fc ± 9.22MHz	dB	-	0.7	1.0
Group delay ripple within Fc ± 9.22MHz	nsec	-	50	100
Absolute Delay	usec	-	2.42	-
Substrate Material	-	-	LN	-

SAW Filter: 70.0MHz
Part No: MA06843

Model: TB0230A
Rev No: 5

C. FREQUENCY CHARACTERISTICS:

Frequency Response

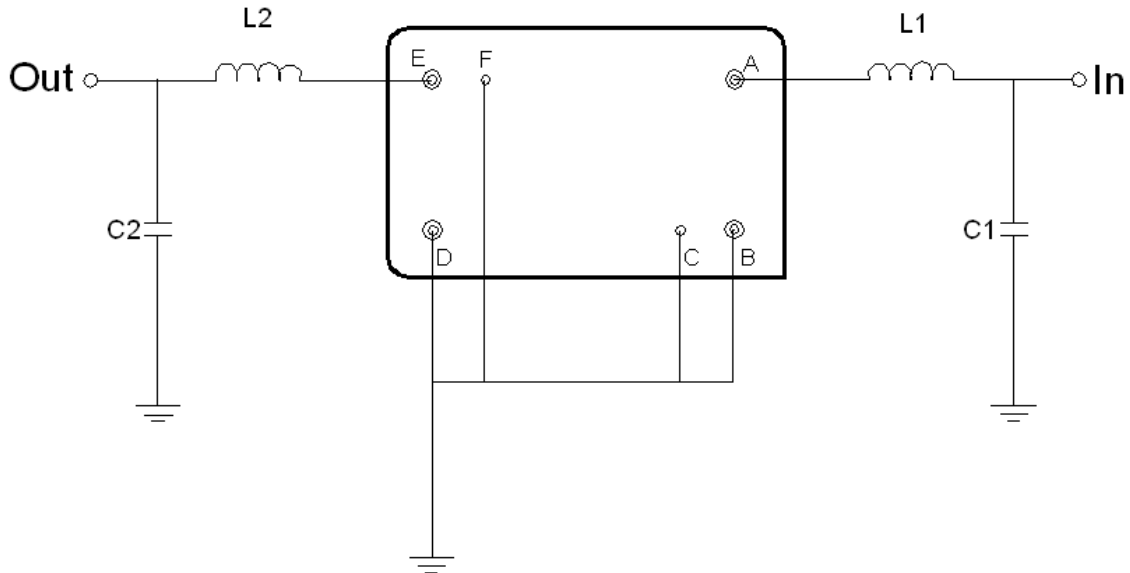


SAW Filter: 70.0MHz
Part No: MA06843

Model: TB0230A
Rev No: 5

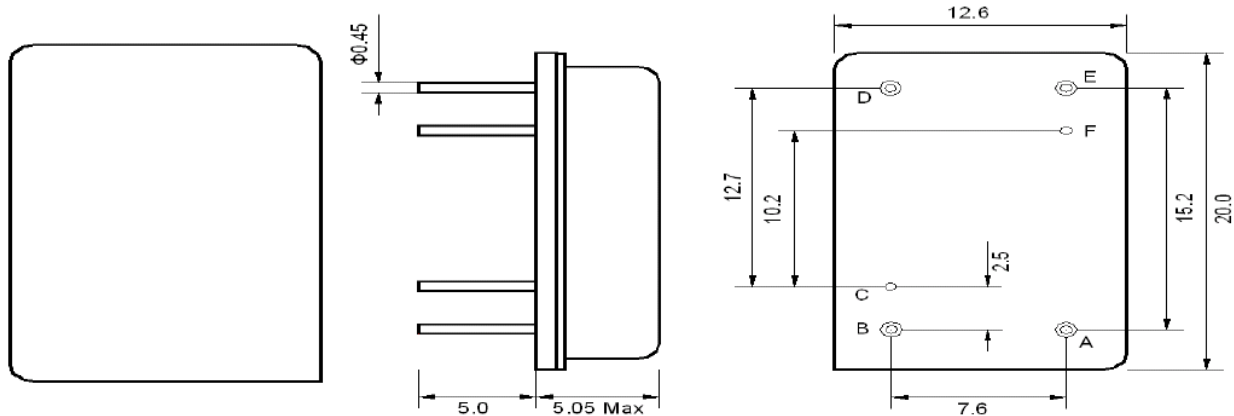
D. MEASUREMENT CIRCUIT:

Source and load impedance: 50 Ω



L1 = 150nH, L2 = 180nH, C1 = 15pF, C2 = 15pF

E. OUTLINE DRAWING:



A: Input
 E: Output
 B, C, D, F: Ground
 Unit: mm