

**SAW Filter 940.50MHz**

**Model: TA0434A**

**Part No: MA07336**

**REV. NO.: 1**

**A. MAXIMUM RATING:**

1. Operating Temperature: -10°C ~ +75°C
2. Storage Temperature: -40°C ~ +85°C

**B. ELECTRICAL CHARACTERISTICS :**

Singled to Balanced operation

Terminating source impedance :  $Z_s = 50\Omega$

Terminating load impedance :  $Z_L = 150\Omega // 50\text{ nH}$

Item	Value			Note
	Min.	Typ.	Max.	
<b>Center frequency</b> $F_c$ MHz	-	940.5	-	-
<b>Insertion loss</b> ( 921~960 MHz) <b>I.L.</b> (dB)	-	2.7	4.3	-
<b>Ripple</b> ( 921~960 MHz) (dB)	-	1.0	2.4	-
<b>Input VSWR</b> ( 921~960 MHz)	-	1.8	2.5	-
<b>Output VSWR</b> ( 921~960 MHz)	-	1.8	2.5	-
<b>Attenuation:</b> ( Reference level from 0 dB)				
0 ~ 880 MHz (dB)	50	55	-	-
880 ~ 900 MHz (dB)	28	44	-	-
900 ~ 910 MHz (dB)	16	35	-	-
980 ~ 1000 MHz (dB)	20	29	-	-
1000 ~ 1050 MHz (dB)	28	34	-	-
1050 ~ 3000 MHz (dB)	50	59	-	-
3000 ~ 4500 MHz (dB)	40	48	-	-
4500 ~ 5700 MHz (dB)	30	42	-	-
<b>Symmetry in band</b> (referenced to the matched operating condition)				
<b>Output amplitude balance</b> ( $ S_{31}/S_{21} $ ) ( 921~960 MHz) (dB)	-1.8	0	1.8	-
<b>Output phase balance</b> ( $\Phi(S_{31}) - \Phi(S_{21})+180^\circ$ ) ( 921~960 MHz) degree	-12	0	12	-

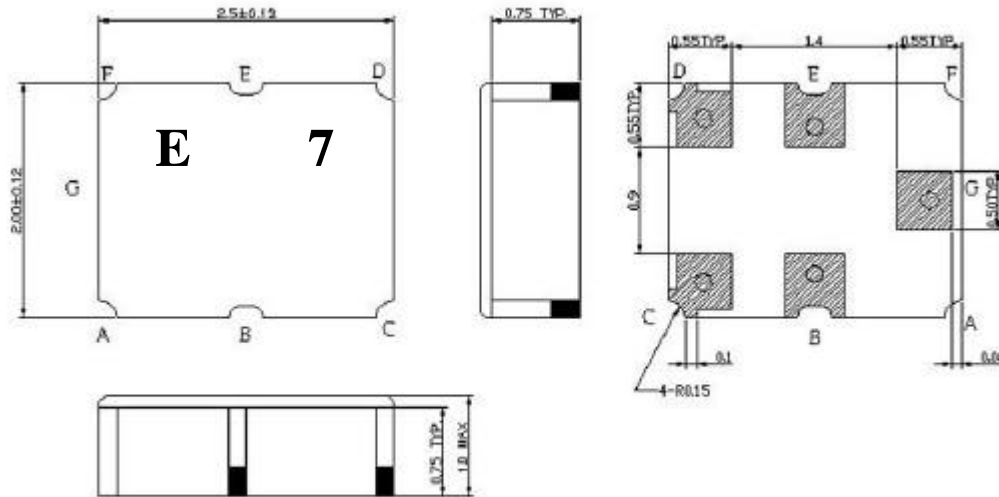
**SAW Filter 940.50MHz**

**Model: TA0434A**

**Part No: MA07336**

**REV. NO.: 1**

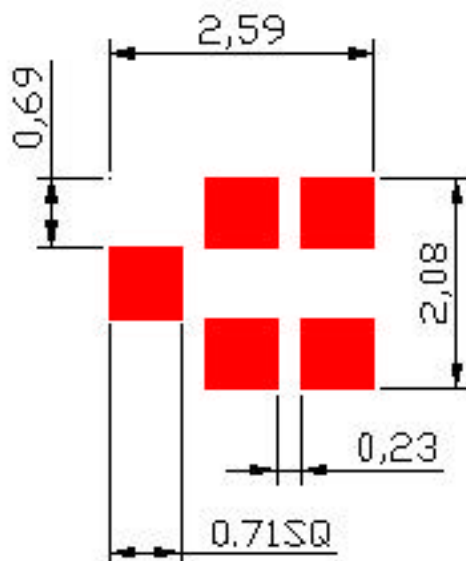
**C. OUTLINE DRAWING:**



**Pin configuration**

- G : Unbalance input
- C,D : Balance output
- B,E : Ground
- Unit : mm

**D. PCB FOOTPRINT:**



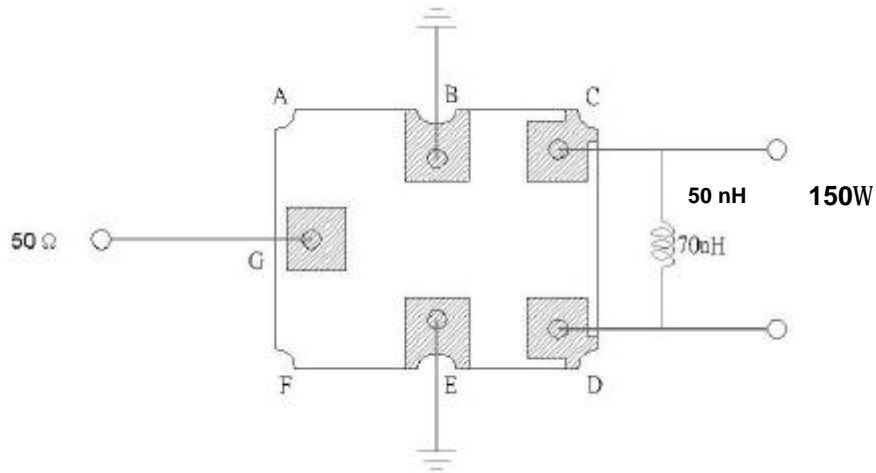
**SAW Filter 940.50MHz**

**Model: TA0434A**

**Part No: MA07336**

**REV. NO.: 1**

**E. MEASUREMENT CIRCUIT:**



**SAW Filter 940.50MHz**

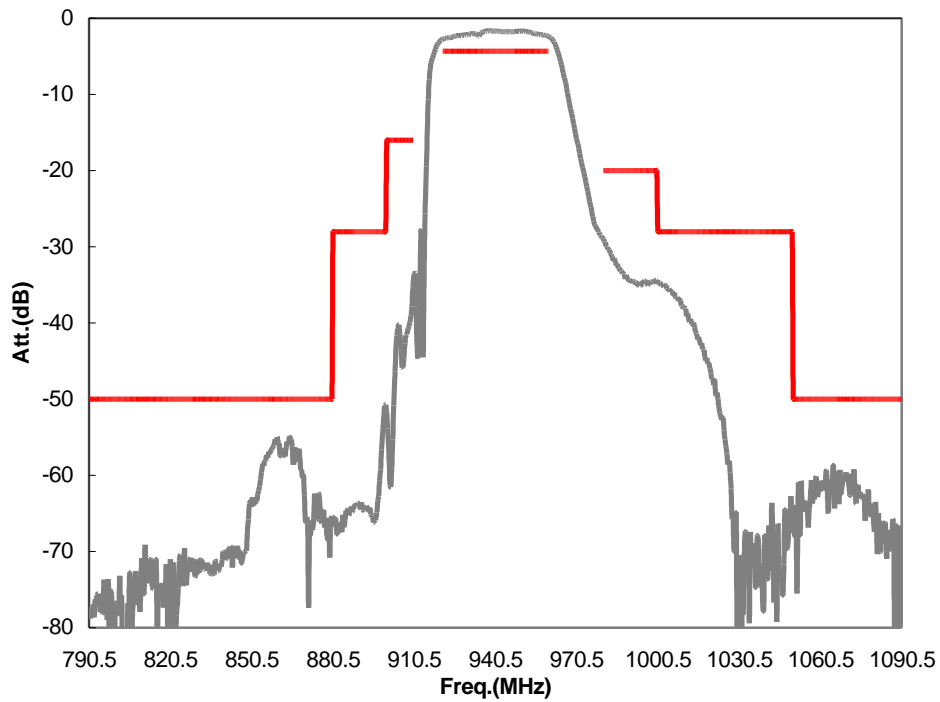
**Model: TA0434A**

**Part No: MA07336**

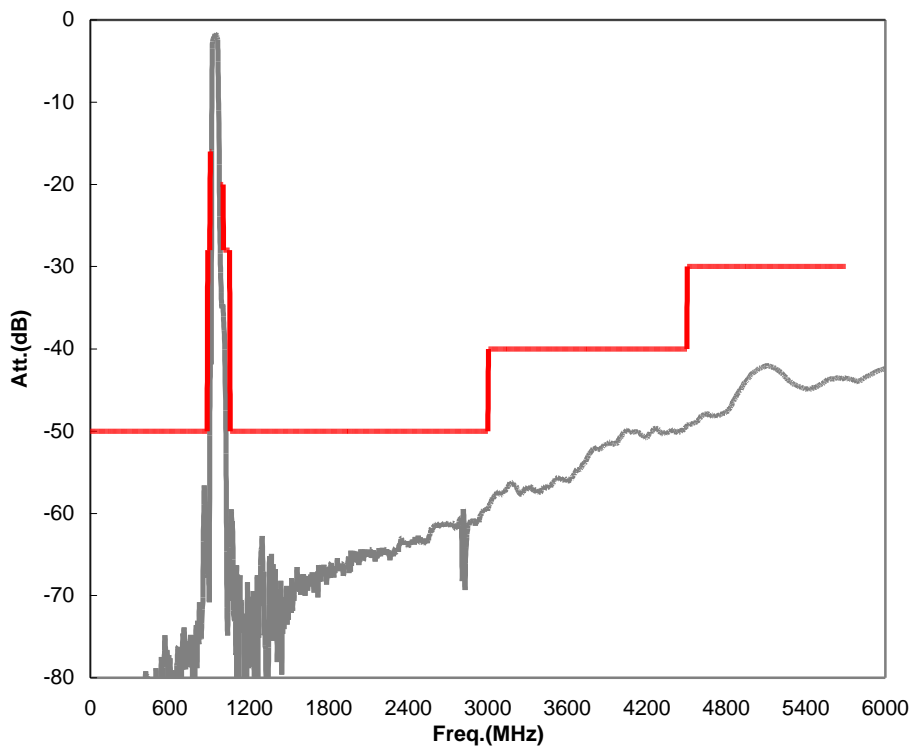
**REV. NO.: 1**

**F. FREQUENCY CHARACTERISTICS:**

1. Transfer function (25°C)



**(wideband)**

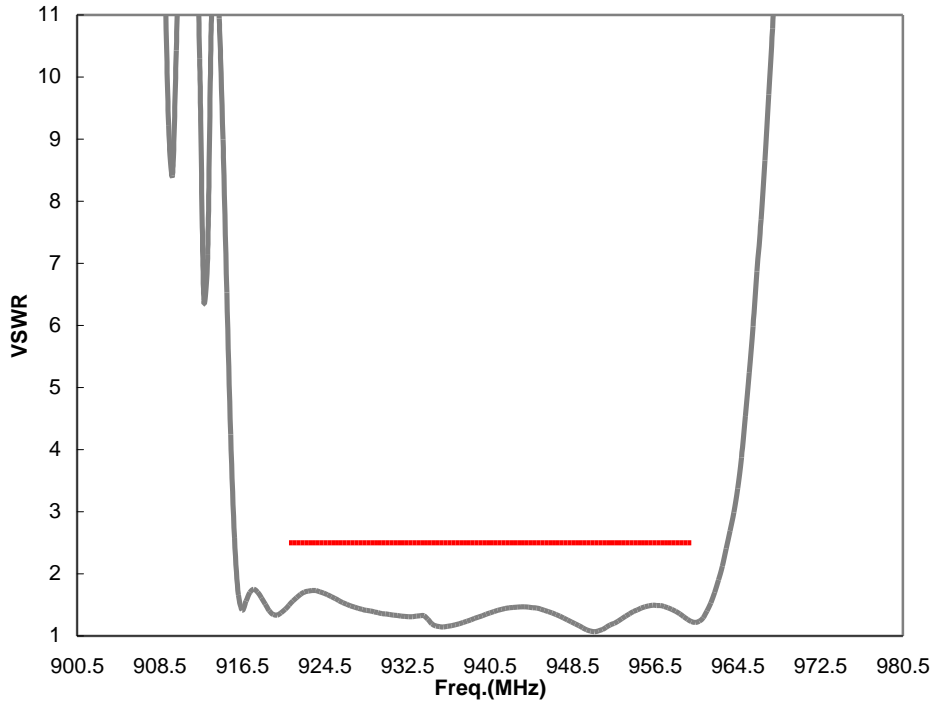


**SAW Filter 940.50MHz**  
**Part No: MA07336**

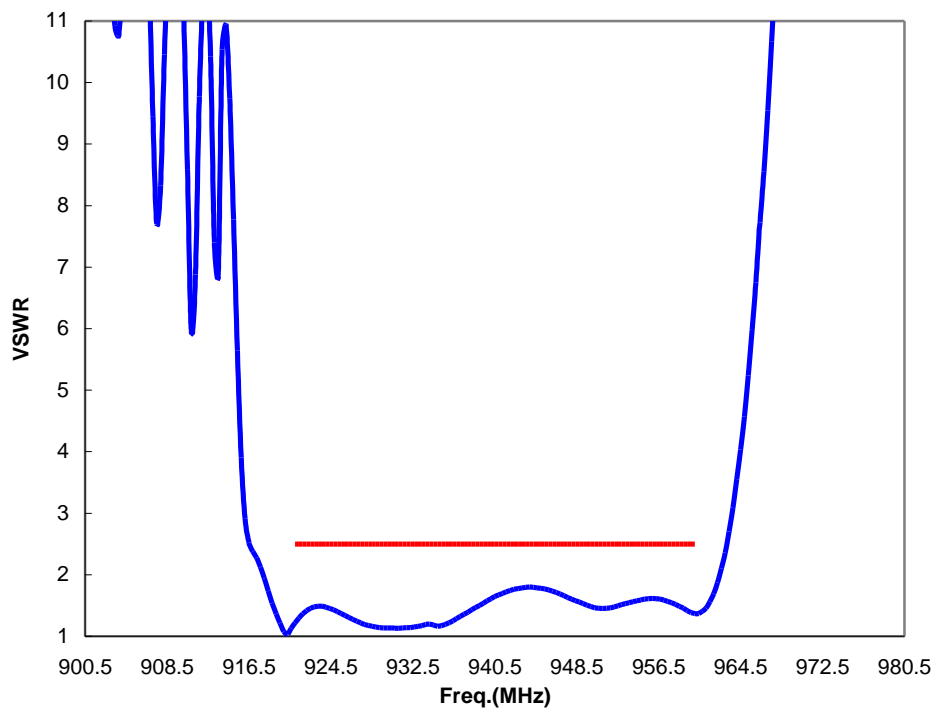
**Model: TA0434A**  
**REV. NO.: 1**

VSWR (25°C)

**Unbalance Input**



**Balance Output**



**SAW Filter 940.50MHz**

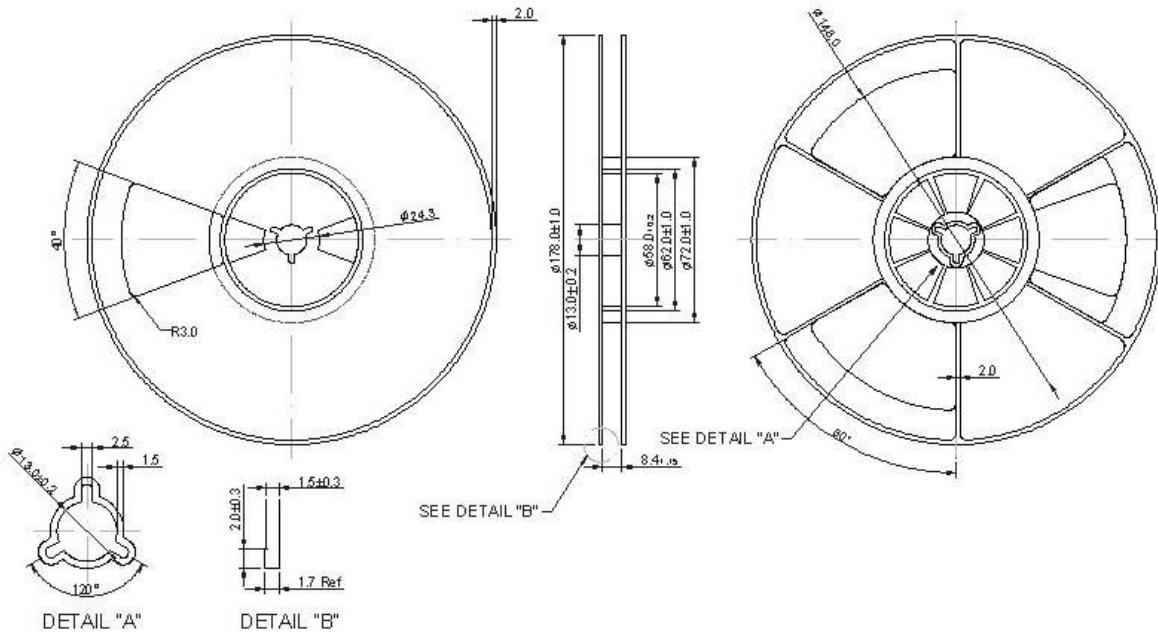
**Model: TA0434A**

**Part No: MA07336**

**REV. NO.: 1**

**G. PACKING:**

**1. REEL DIMENSION**



**2. TAPE DIMENSION**

