

SAW Filter 2602.50MHz
Part No: MP07865

Model: TA1971A
Rev No: 1

A. MAXIMUM RATING:

Electrostatic Sensitive Device (ESD)

1. Input Power Level: 10dBm (In-band) 17dBm (Out- band)
2. Operating Temperature: -30°C to +85°C
3. Storage Temperature: -40°C to +85°C
4. ESD 50V (MM) 100V (HBM)

B. ELECTRICAL CHARACTERISTICS:

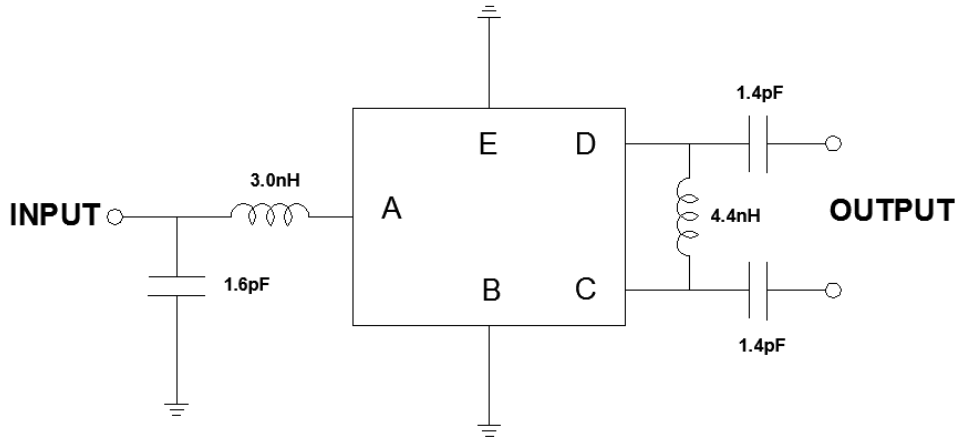
1. Terminating source impedance (single ended): $Z_S = 50\Omega$
2. Terminating load impedance (Balanced): $Z_L = 100\Omega$

| Item | Unit | Min. | Typ. | Max. | Note |
|--|--------|------|--------|------|------|
| Center Frequency Fc | MHz | - | 2602.5 | - | - |
| Insertion Loss (2550 ~ 2655MHz) IL | dB | - | 1.8 | 2.7 | - |
| Amplitude ripple (2550 ~ 2655MHz) | dB p-p | - | 0.6 | 2.0 | - |
| VSWR (2550 ~ 2655MHz) | | - | 1.6 | 2.0 | - |
| Attenuation (reference level from 0dB) | | | | | |
| 880 ~ 915 MHz (GSM900 Tx) | dB | 50 | 70 | - | - |
| 1710 ~ 1785 MHz (DCS1800 Tx) | dB | 35 | 48 | | |
| 2401 ~ 2482 MHz (ISM Band) | dB | 13 | 17 | | |
| Temperature Coefficient of Frequency | ppm/°C | - | -36 | - | - |

SAW Filter 2602.50MHz
Part No: MP07865

Model: TA1971A
Rev No: 1

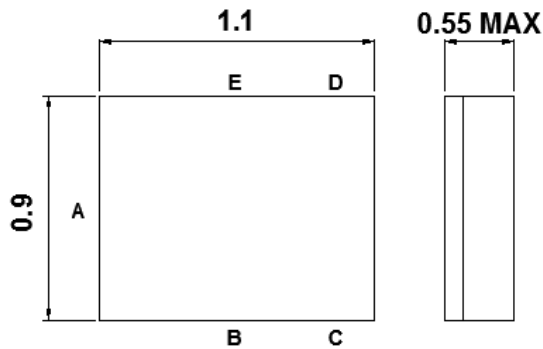
C. MEASUREMENT CIRCUIT:



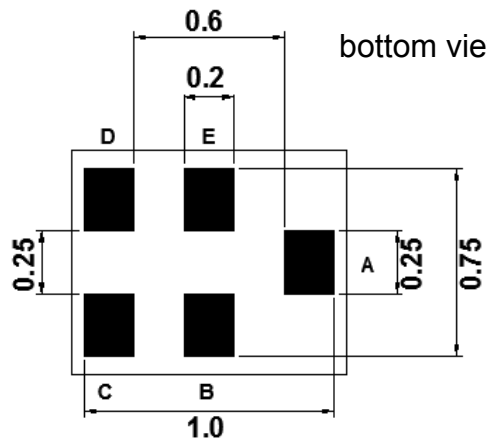
Source Impedance: 50Ω, Load Impedance: 100Ω

D. OUTLINE DRAWING:

top view

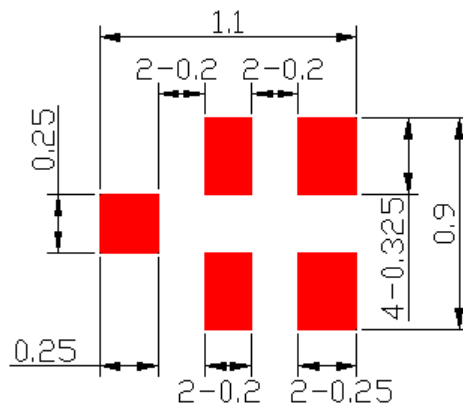


bottom view



- B, E: Ground
- A: Input
- C, D: Balanced output

E. PCB FOOTPRINT:



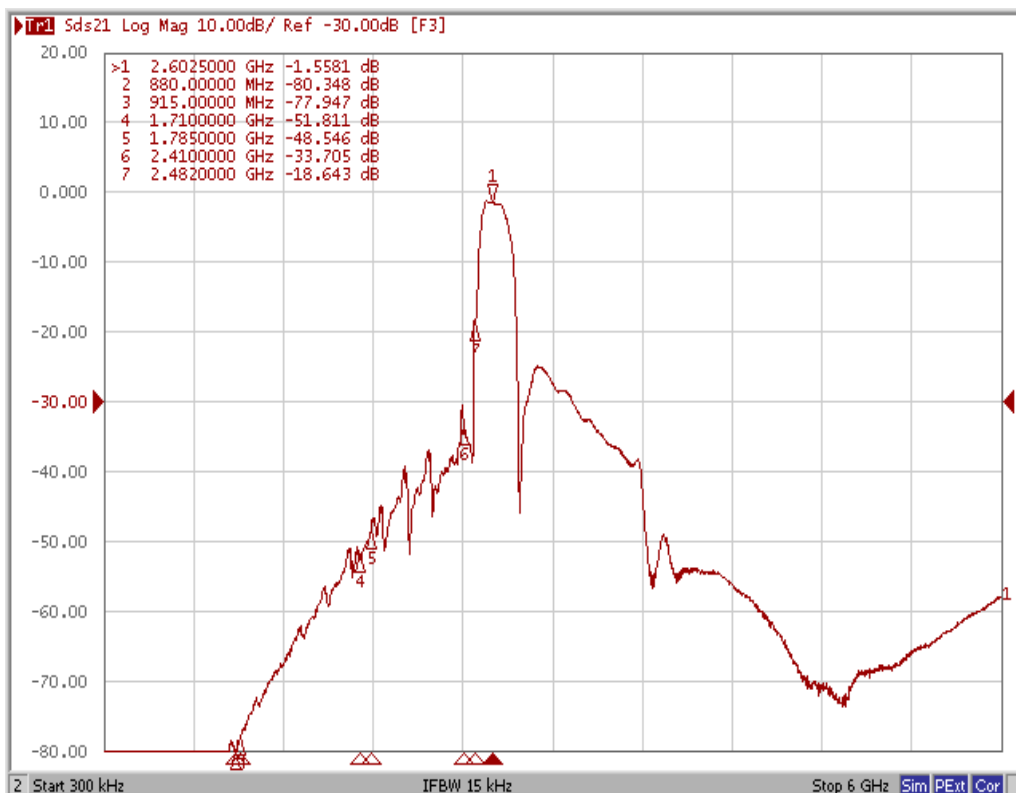
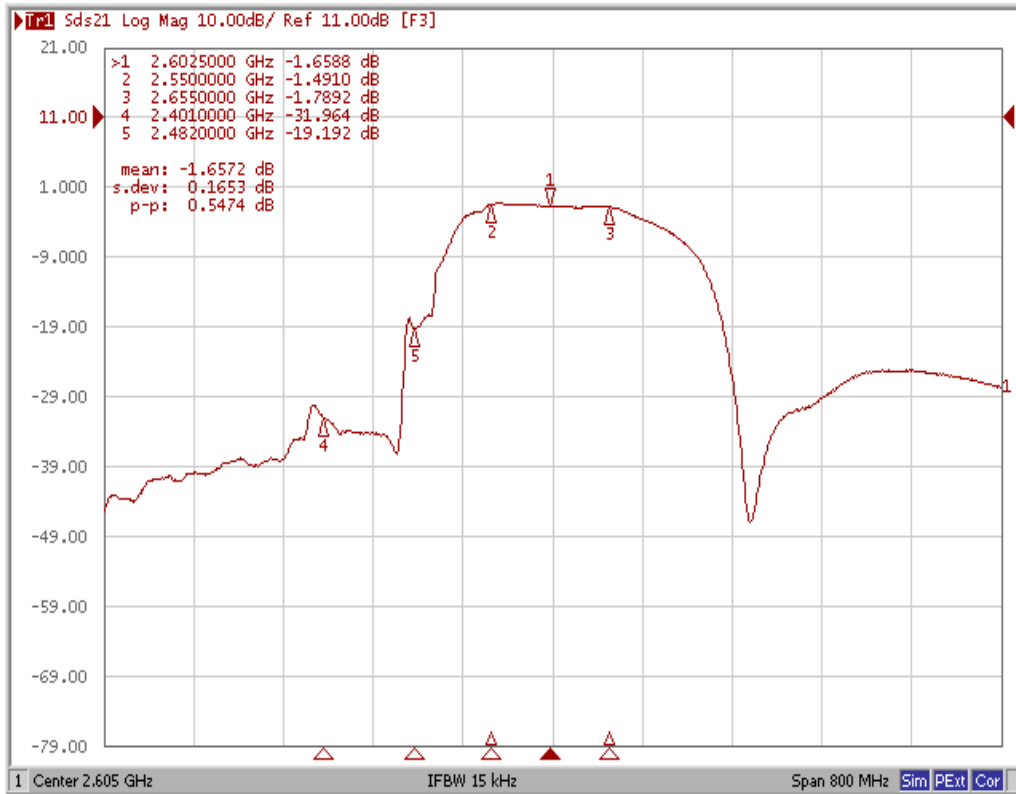
: Land Pattern
 Unit: mm

SAW Filter 2602.50MHz
Part No: MP07865

Model: TA1971A
Rev No: 1

F. FREQUENCY CHARACTERISTICS:

1. Frequency Response

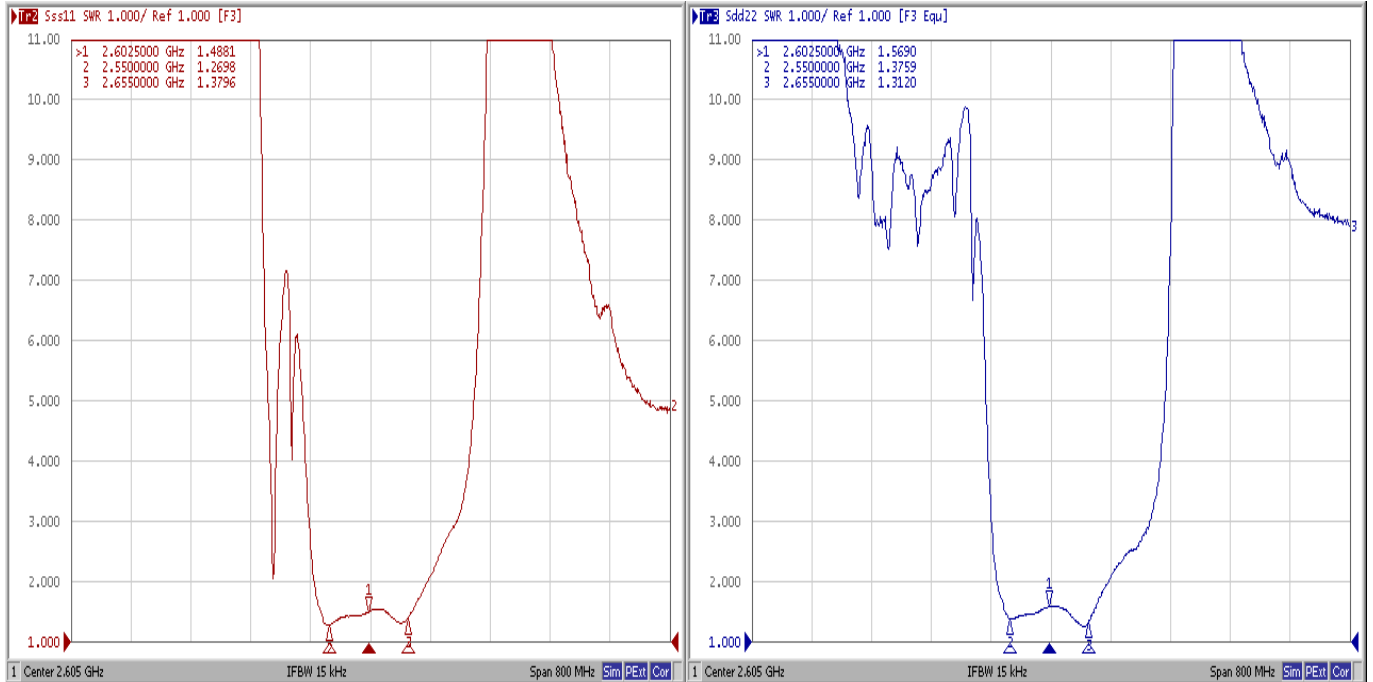


SAW Filter 2602.50MHz
Part No: MP07865

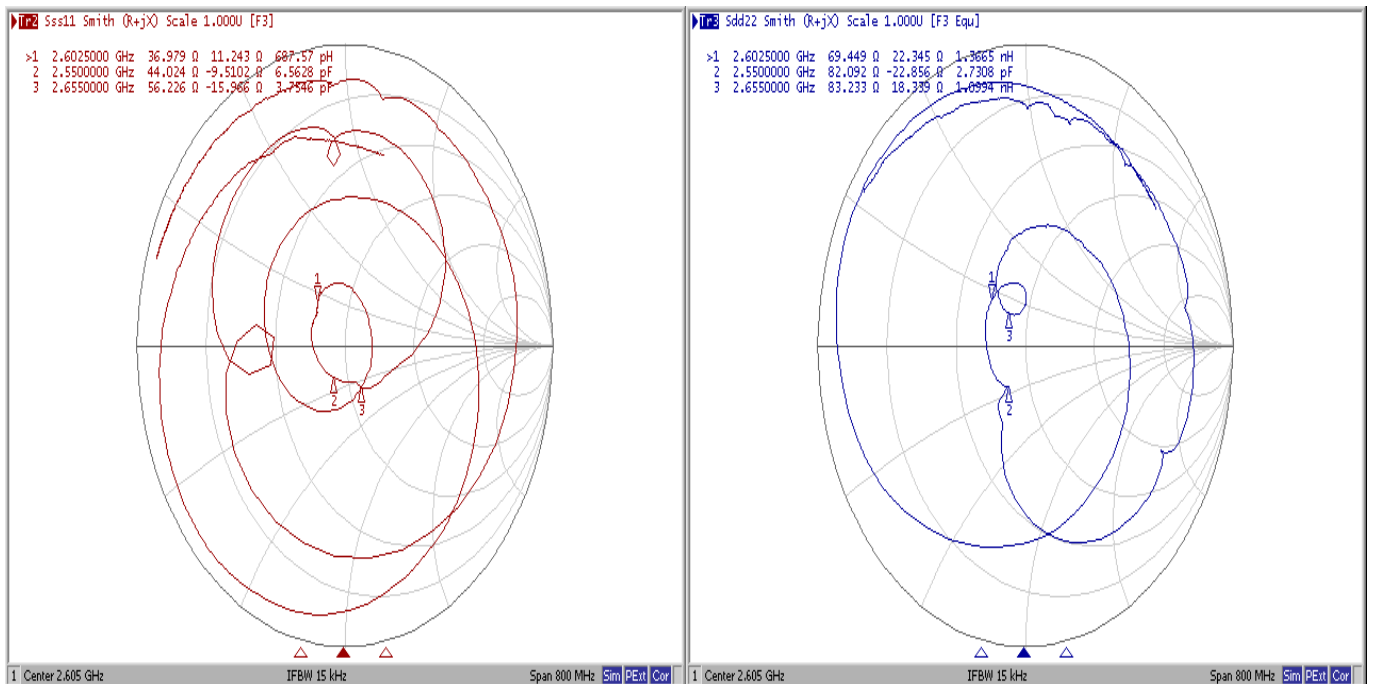
Model: TA1971A
Rev No: 1

2. Reflection Functions

VSWR



Smith Chart

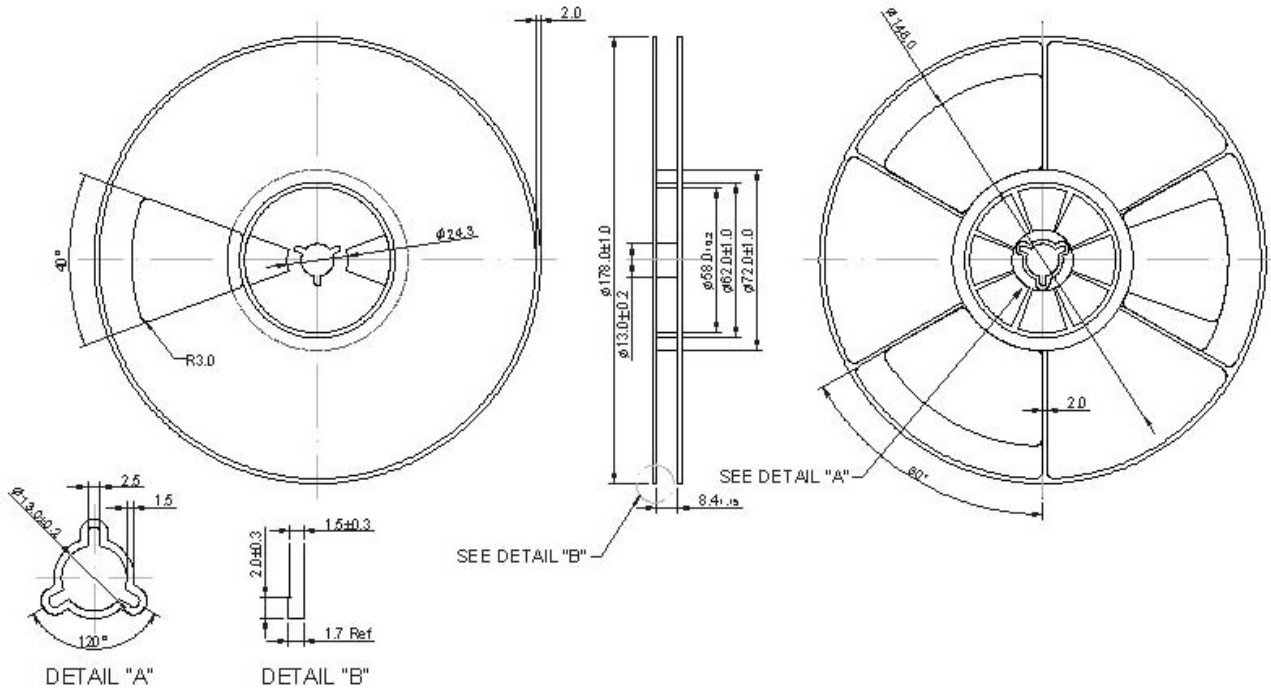


SAW Filter 2602.50MHz
Part No: MP07865

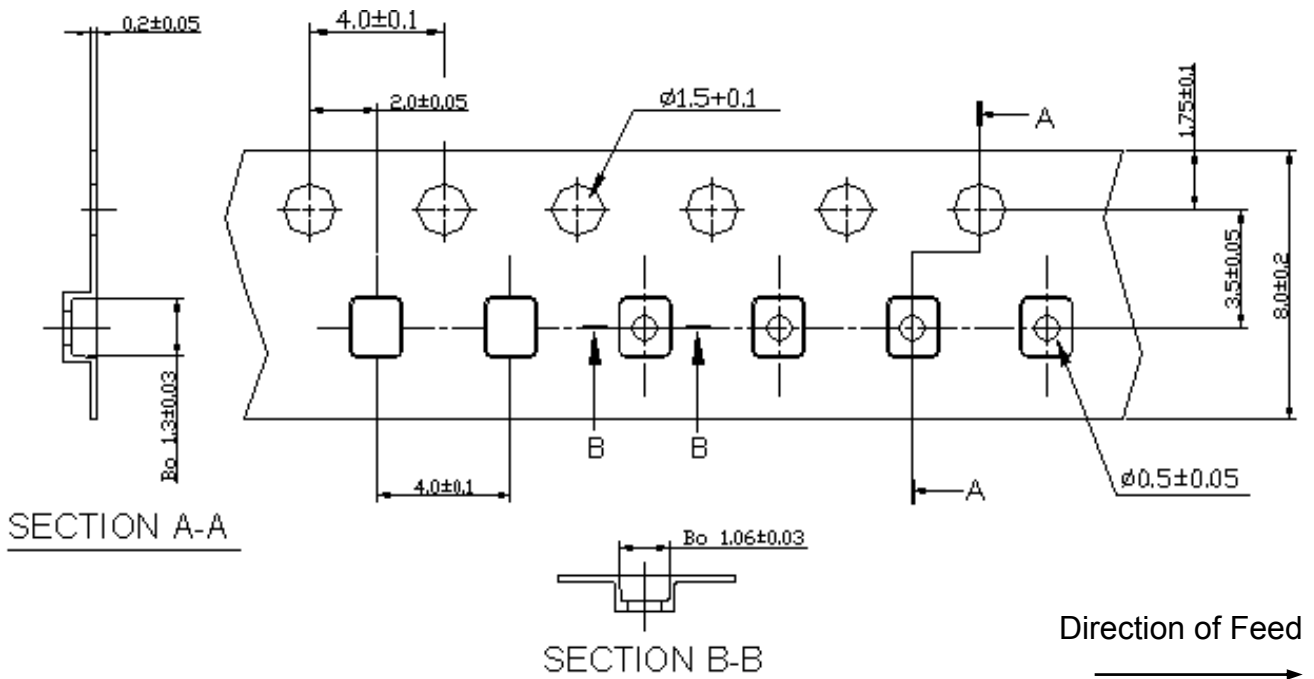
Model: TA1971A
Rev No: 1

G. PACKING:

1. Reel Dimension (Reel Count: 7" = 3000)



2. Tape Dimension



SAW Filter 2602.50MHz
Part No: MP07865

Model: TA1971A
Rev No: 1

H. RECOMMENDED REFLOW PROFILE:

1. Preheating shall be fixed at 150 ~ 180°C for 60 ~ 90 seconds.
2. Ascending time to preheating temperature 150°C shall be 30 seconds min.
3. Heating shall be fixed at 220°C for 50 ~ 80 seconds and at 245 ~ 260°C peak (min. 10 sec).
4. Time: 2 times.

