

SAW Filter 847.0MHz
Part No: MP07876

Model: TA1656A
Rev No: 3

A. MAXIMUM RATING:

Electrostatic Sensitive Device (ESD)

1. Input Power Level: 15dBm
2. DC Voltage: 3V
3. Operating Temperature: -40°C to +105°C
4. Storage Temperature: -40°C to +105°C

B. ELECTRICAL CHARACTERISTICS:

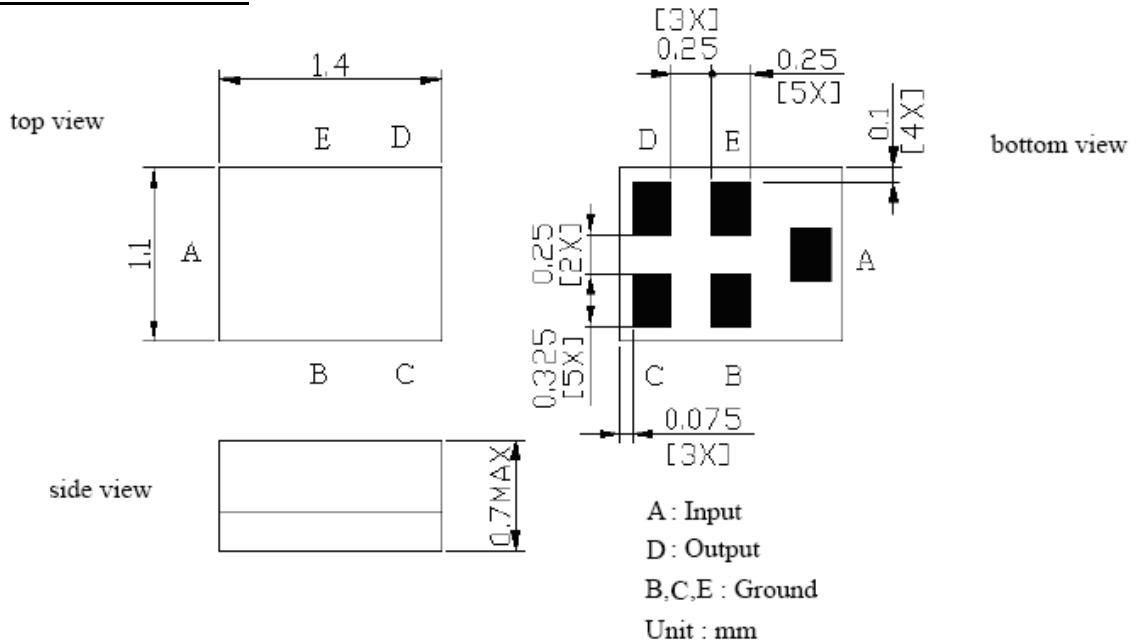
1. Terminating source impedance: $Z_S = 50\Omega$
2. Terminating load impedance: $Z_L = 50\Omega$

Item	Unit	Min.	Typ.	Max.	Note
Center Frequency Fc	MHz	-	847	-	-
Insertion Loss (832 ~ 862MHz) IL	dB	-	2.7	5.0	-
Amplitude ripple(832 ~ 862MHz)	dB	-	1.0	3.0	-
Return Loss (832 ~ 862MHz) RL	dB	-	18	-	-
Attenuation					
791 ~ 817MHz	dB	35	41	-	-
880 ~ 915MHz	dB	-	27	-	-
925 ~ 960MHz	dB	35	50	-	-
1710 ~ 1785MHz	dB	35	40	-	-
1805 ~ 1880MHz	dB	35	40	-	-
1920 ~ 1980MHz	dB	35	39	-	-
2110 ~ 2170MHz	dB	35	38	-	-
Package size	mm	SMD 1.4 x 1.1			

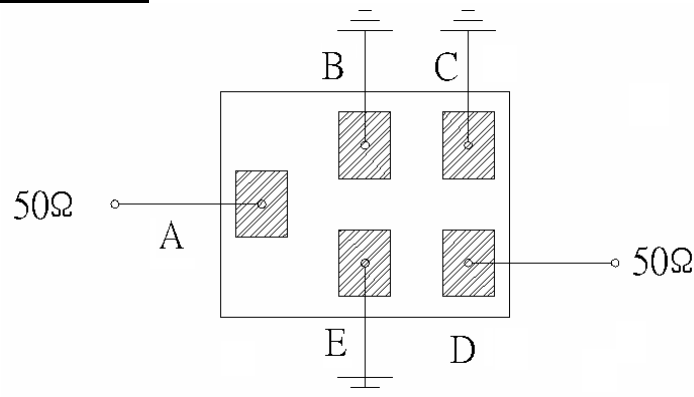
SAW Filter 847.0MHz
Part No: MP07876

Model: TA1656A
Rev No: 3

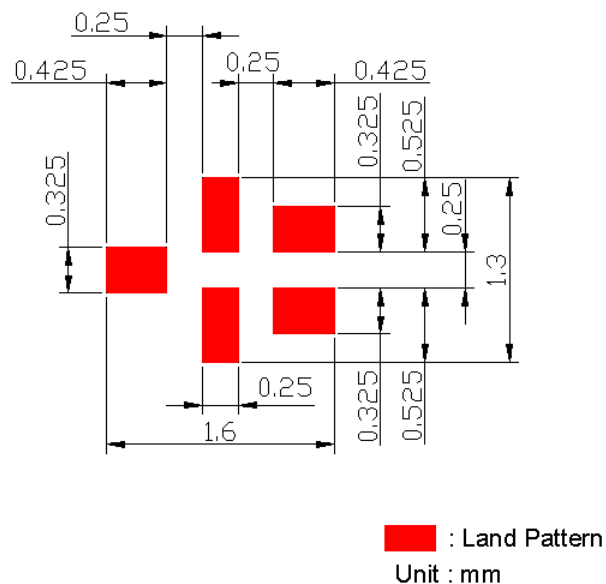
C. OUTLINE DRAWING:



D. MEASUREMENT CIRCUIT:



E. PCB FOOTPRINT:

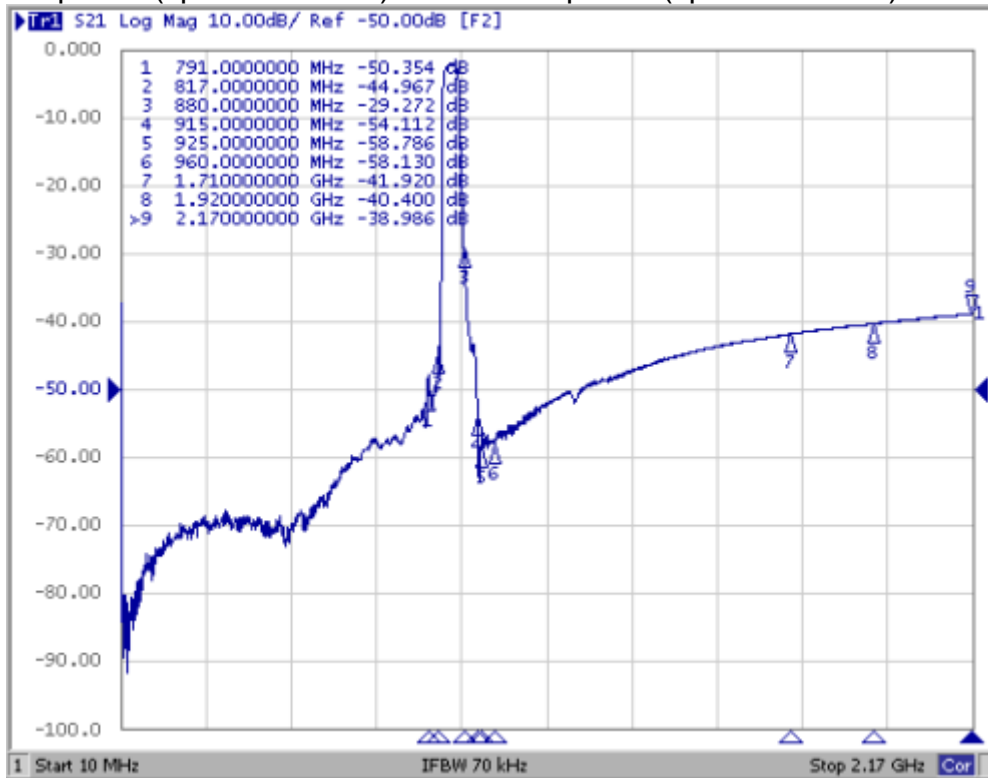


SAW Filter 847.0MHz
Part No: MP07876

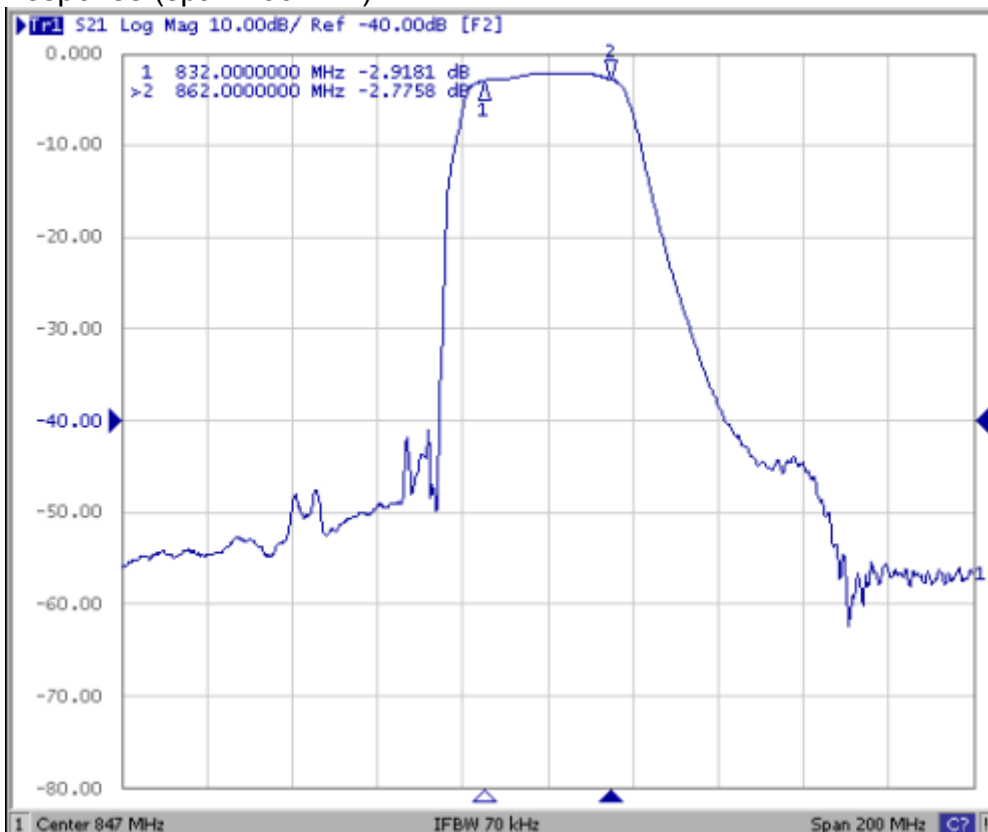
Model: TA1656A
Rev No: 3

F. FREQUENCY CHARACTERISTICS:

1. S21 Response (span 2250MHz): 1. S21 Response (span 2170MHz):



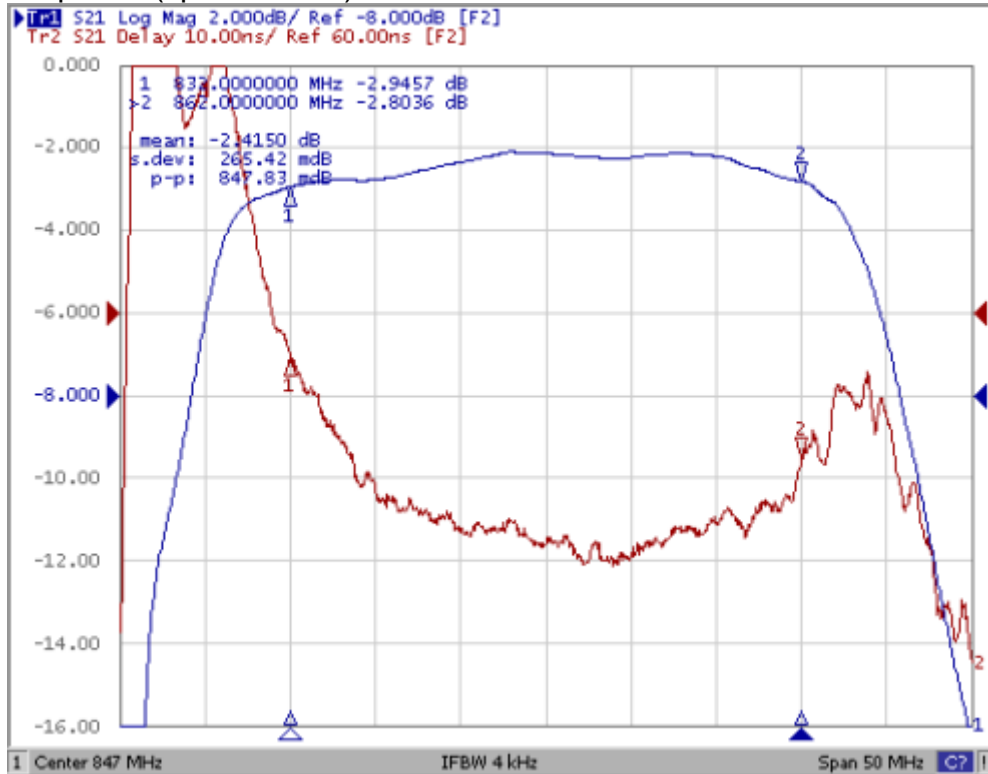
2. S21 Response (span 200MHz):



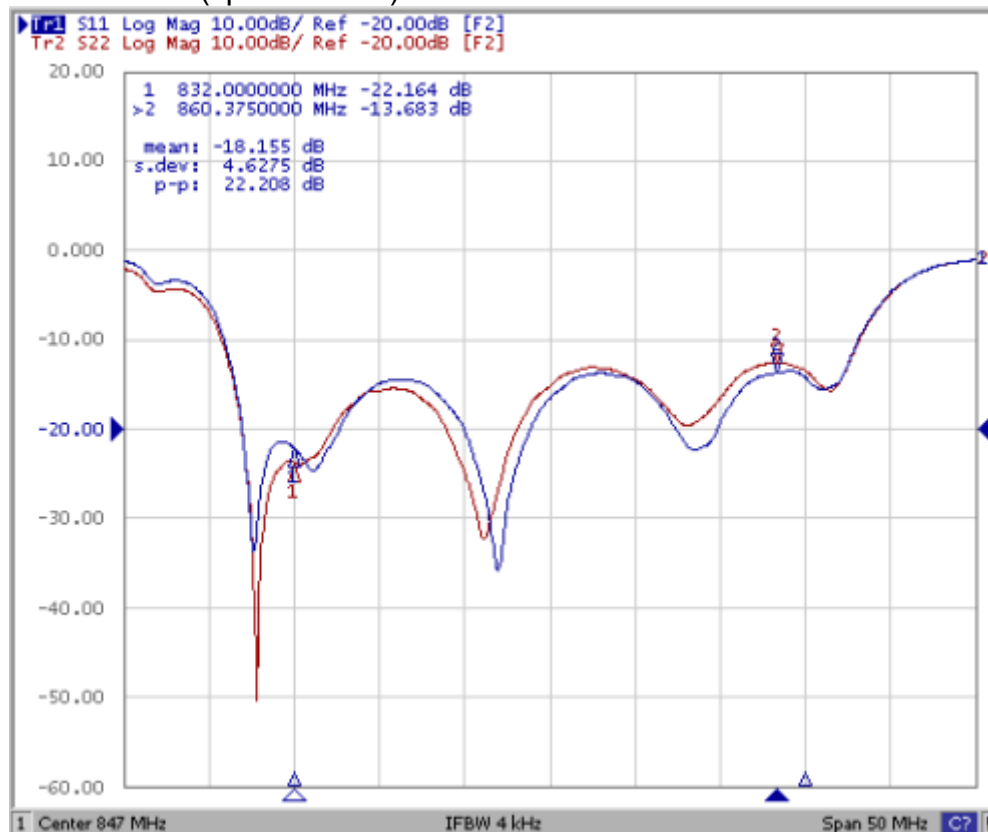
SAW Filter 847.0MHz
Part No: MP07876

Model: TA1656A
Rev No: 3

3. S21 Response (span 50MHz):



4. S11 & S22 VSWR (span 50MHz):

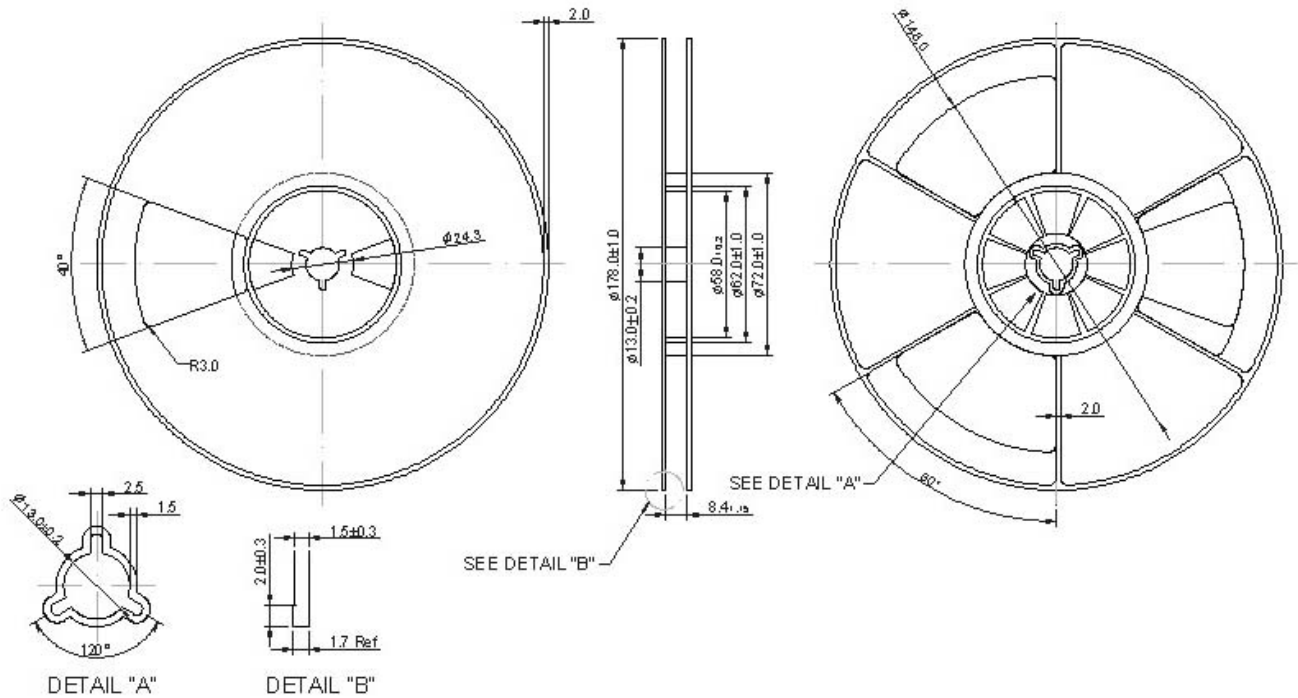


SAW Filter 847.0MHz
Part No: MP07876

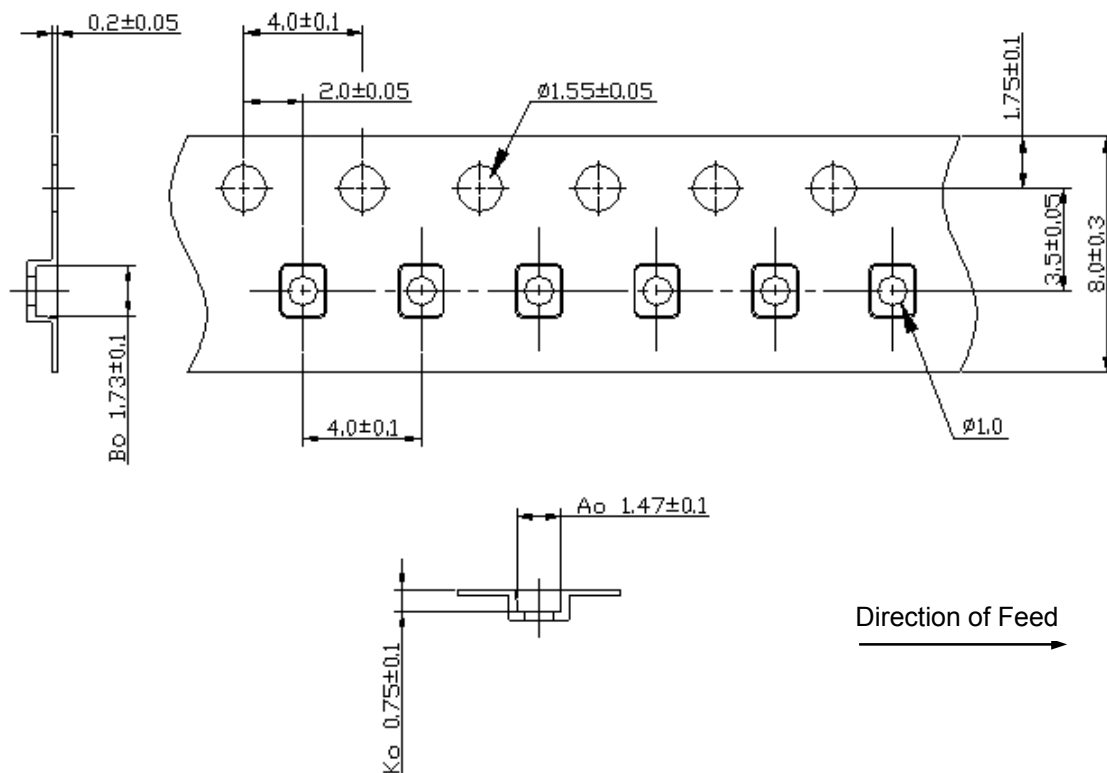
Model: TA1656A
Rev No: 3

G. PACKING:

1. Reel Dimension (Please refer to FR-75D10 for packing quantity)



2. Tape Dimension



SAW Filter 847.0MHz
Part No: MP07876

Model: TA1656A
Rev No: 3

H. RECOMMENDED REFLOW PROFILE:

