

SAW Filter 622.080MHz
Part No: MP08140

Model: TA0945A
Rev No: 1

A. MAXIMUM RATING:

1. Input Power Level: 10dBm
2. DC voltage: 0V
3. Operating Temperature: -40°C to +85°C
4. Storage Temperature: -40°C to +85°C

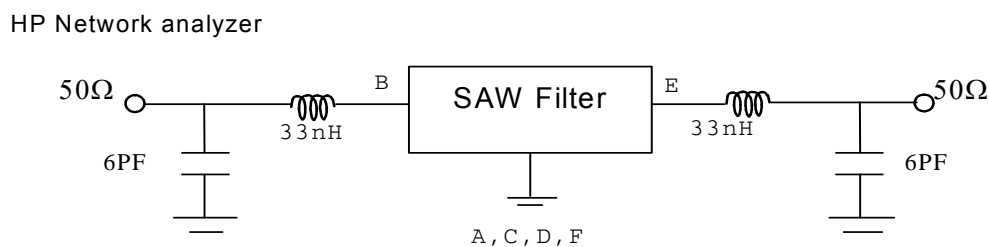
B. ELECTRICAL CHARACTERISTICS:

Reference temperature: 25°C

Item	Min.	Typ.	Max.	Note
Center frequency Fc (MHz)	-	622.08	-	1
Insertion Loss (dB) IL	-	3.2	4.5	
Pass band (relative to IL) 621.73 ~ 622.43MHz (dB)	-	1.0	2.0	1
Pass bandwidth (relative to IL) BW3 (kHz)	1000	1200	-	
Attenuation: (relative to IL) (dB)				
500 ~ 600MHz (dB)	40	47	-	1
600 ~ 612.08MHz (dB)	33	39	-	
624 ~ 637MHz (dB)	10	22	-	
637 ~ 647MHz (dB)	35	40	-	
647 ~ 1000MHz (dB)	40	45	-	
Impedance at Fc; Input $Z_{IN} = R_{IN} // C_{IN}$ Output $Z_{OUT} = R_{OUT} // C_{OUT}$	536Ω // 2.4pF 536Ω // 2.4pF			
Zero Phase Crossing 621.73 ~ 622.43MHz	1			

Note: The standard definitions is in JIS C 6703

C. MEASUREMENT CIRCUIT:

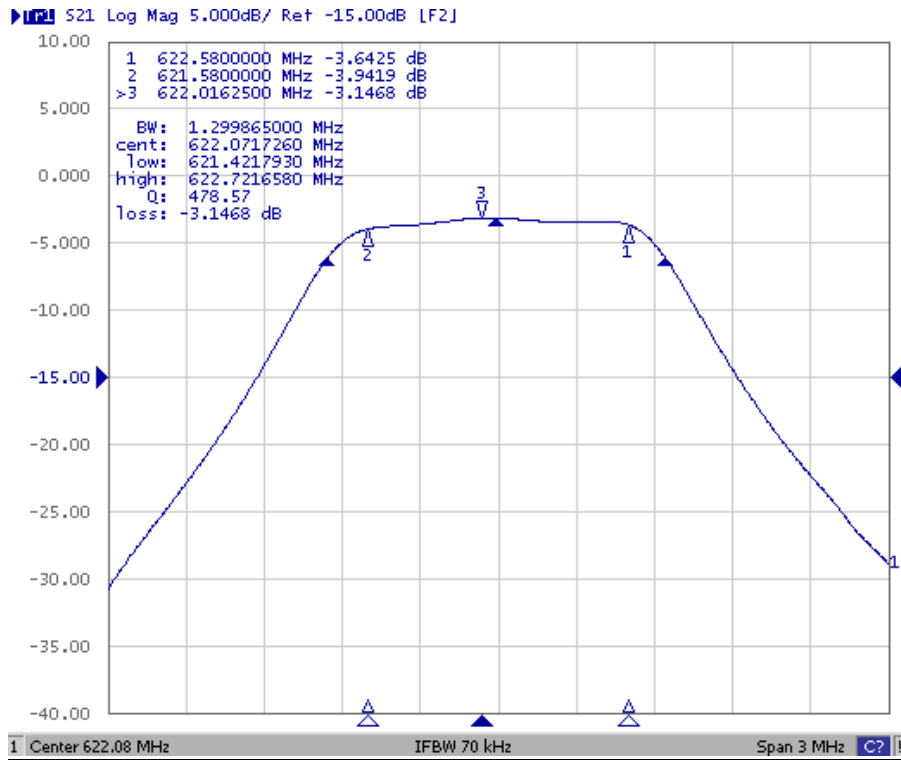


SAW Filter 622.080MHz
Part No: MP08140

Model: TA0945A
Rev No: 1

D. FREQUENCY CHARACTERISTICS:

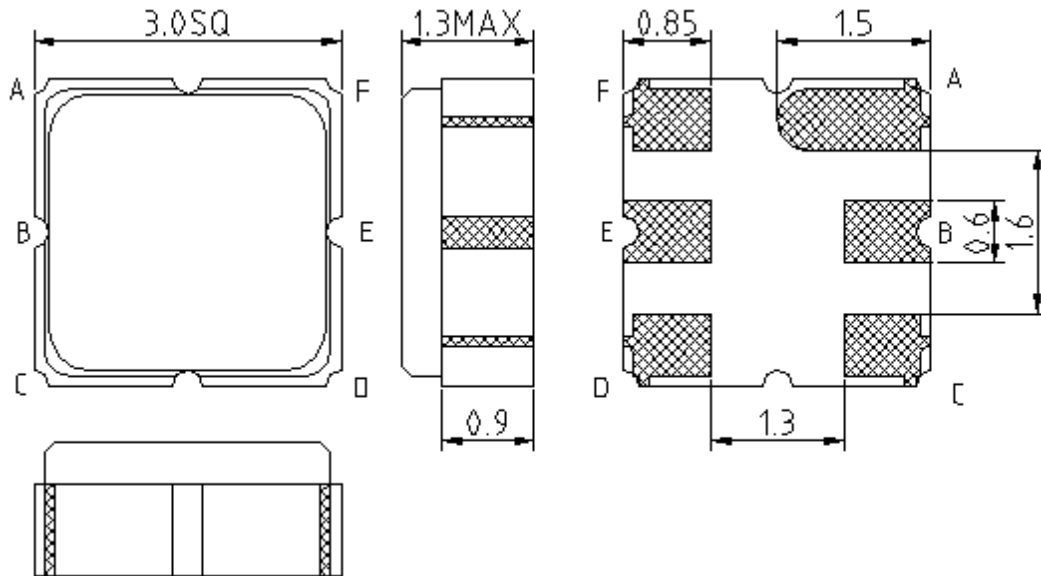
The response included the loss of matching circuit.



SAW Filter 622.080MHz
Part No: MP08140

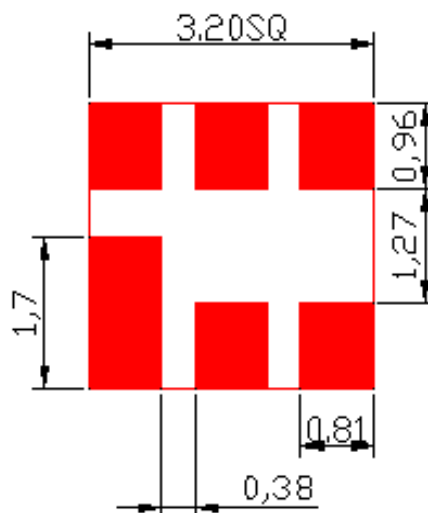
Model: TA0945A
Rev No: 1

E. OUTLINE DRAWING:



B: Input
E: Output
A, C, D, F: Ground
Unit: mm

F. PCB FOOTPRINT:

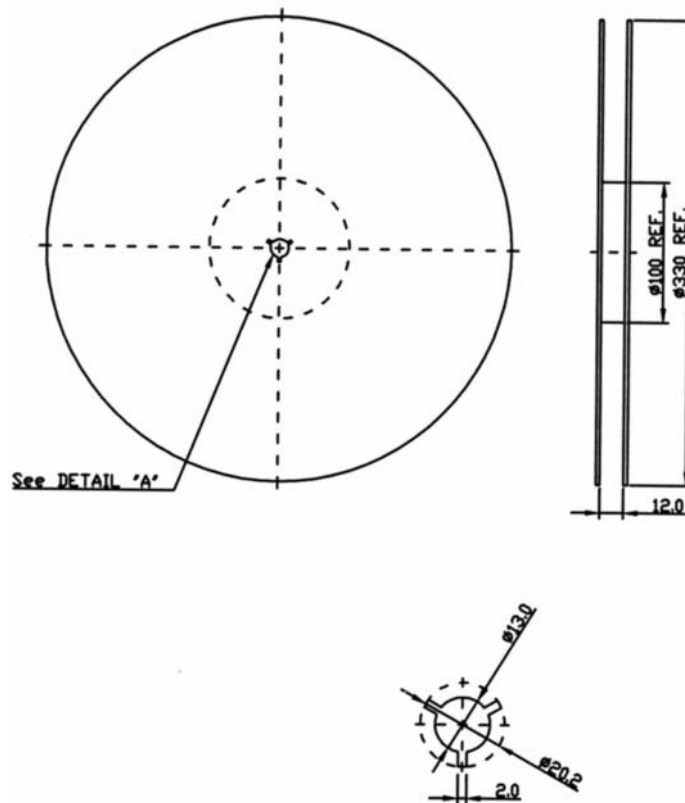


SAW Filter 622.080MHz
Part No: MP08140

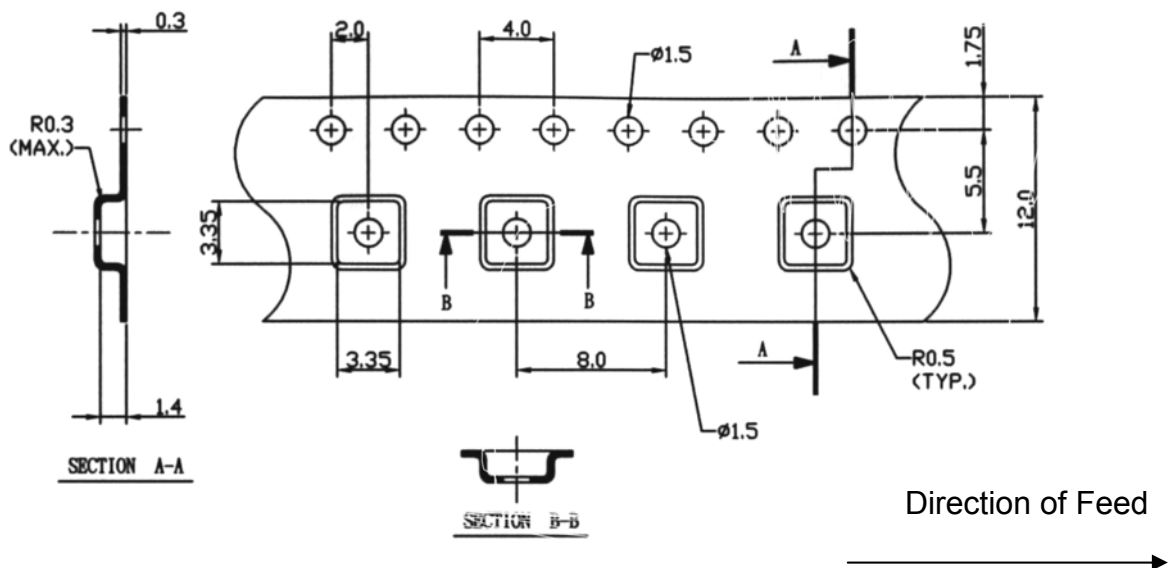
Model: TA0945A
Rev No: 1

G. PACKING:

1. Reel Dimension



2. Tape Dimension



SAW Filter 622.080MHz
Part No: MP08140

Model: TA0945A
Rev No: 1

H. RECOMMENDED REFLOW PROFILE:

