

SAW Filter 1575.420MHz
Part No: MP08177

Model: TA1599A
Rev No: 1

A. MAXIMUM RATING:

Electrostatic Sensitive Device (ESD)

1. Input Power Level: 10dBm
2. DC Voltage: 3V
3. Operating Temperature: -40°C to +105°C
4. Storage Temperature: -50°C to +105°C

B. ELECTRICAL CHARACTERISTICS:

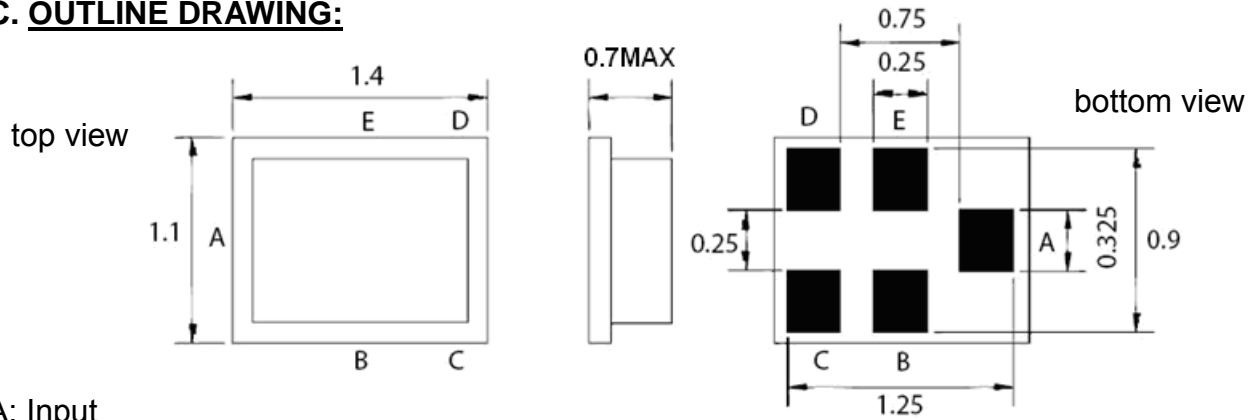
1. Terminating source impedance: $Z_S = 50\Omega$
2. Terminating load impedance: $Z_L = 50\Omega$

Item	Unit	Min.	Typ.	Max.	Note
Center Frequency Fc	MHz	-	1575.42	-	-
Max. Insertion Loss (1574.42 ~ 1576.42MHz) IL	dB	-	0.9	1.3	-
Amplitude ripple (1574.42 ~ 1576.42MHz)	dB	-	0.1	0.5	-
VSWR (1574.42 ~ 1576.42MHz)		-	1.1	1.6	-
Attenuation (Reference level from 0dB)					
0.1 ~ 894MHz	dB	16	28	-	-
894 ~ 1500MHz	dB	15	26.5	-	-
1650 ~ 4000MHz	dB	17	26.5	-	-
4000 ~ 6000MHz	dB	15	41	-	-
Temperature Coefficient of Frequency	ppm/°C	-	-36	-	-

SAW Filter 1575.420MHz
Part No: MP08177

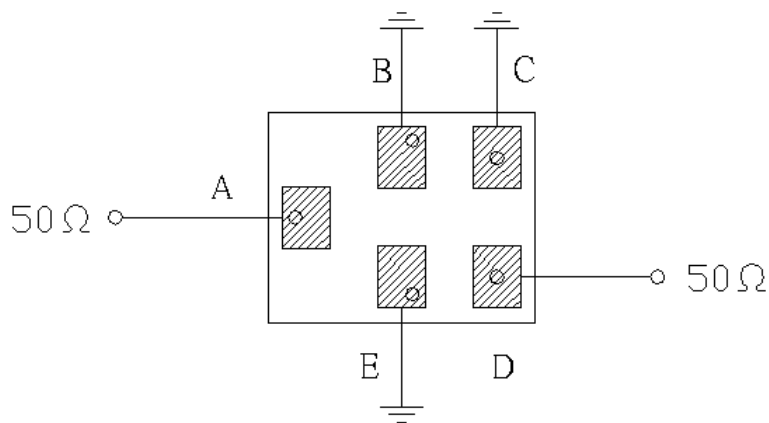
Model: TA1599A
Rev No: 1

C. OUTLINE DRAWING:

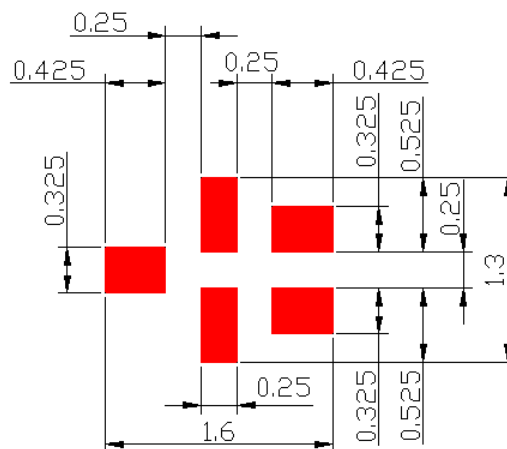


A: Input
 D: Output
 B, C, E: Ground
 Unit: mm

D. MEASUREMENT CIRCUIT:



E. PCB FOOTPRINT:

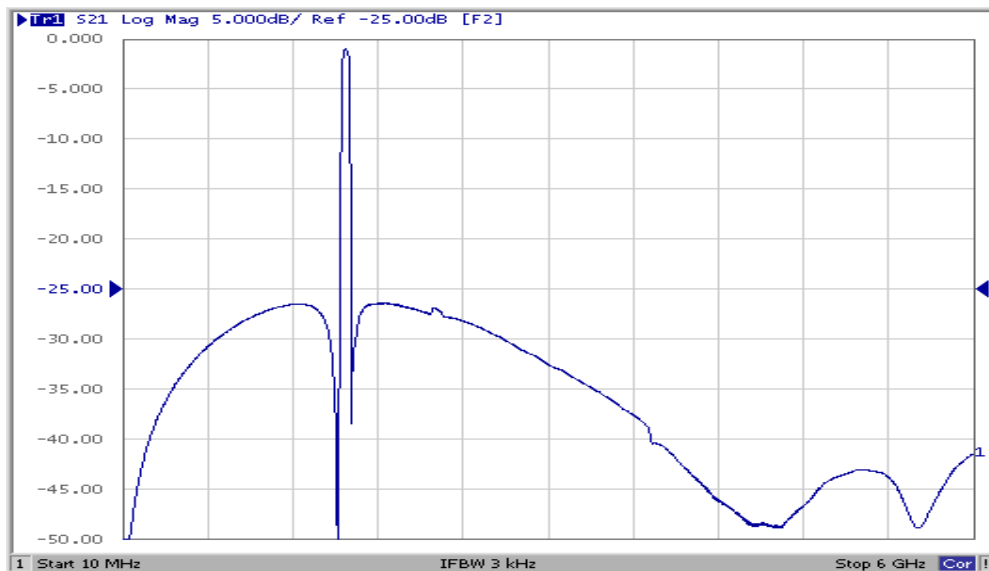
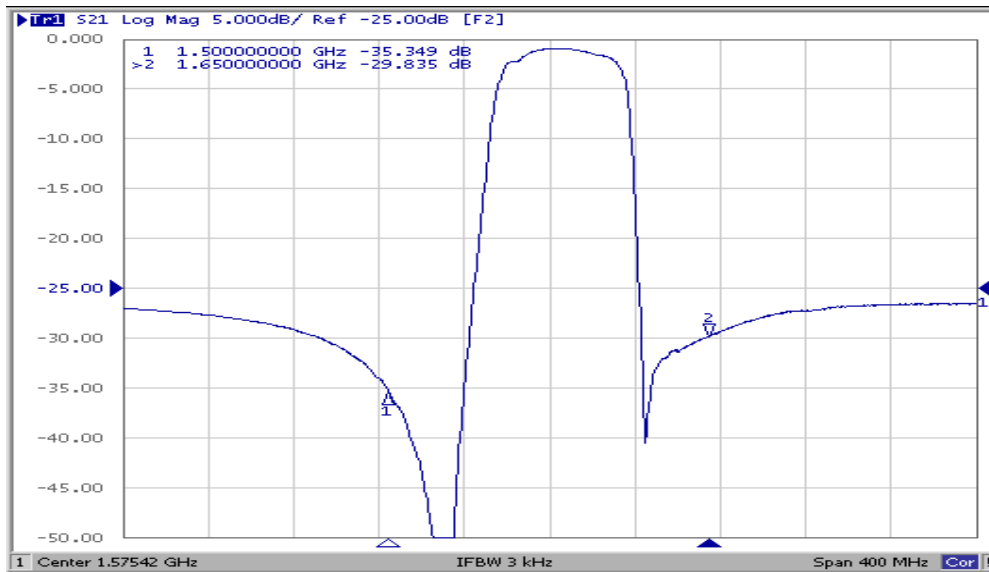
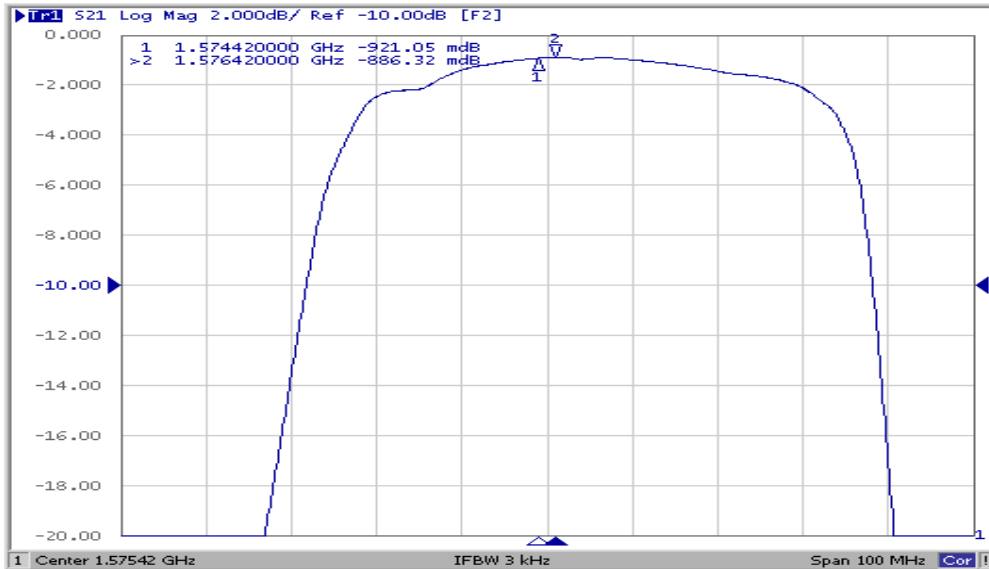


: Land Pattern
 Unit : mm

SAW Filter 1575.420MHz
Part No: MP08177

Model: TA1599A
Rev No: 1

F. FREQUENCY CHARACTERISTICS:

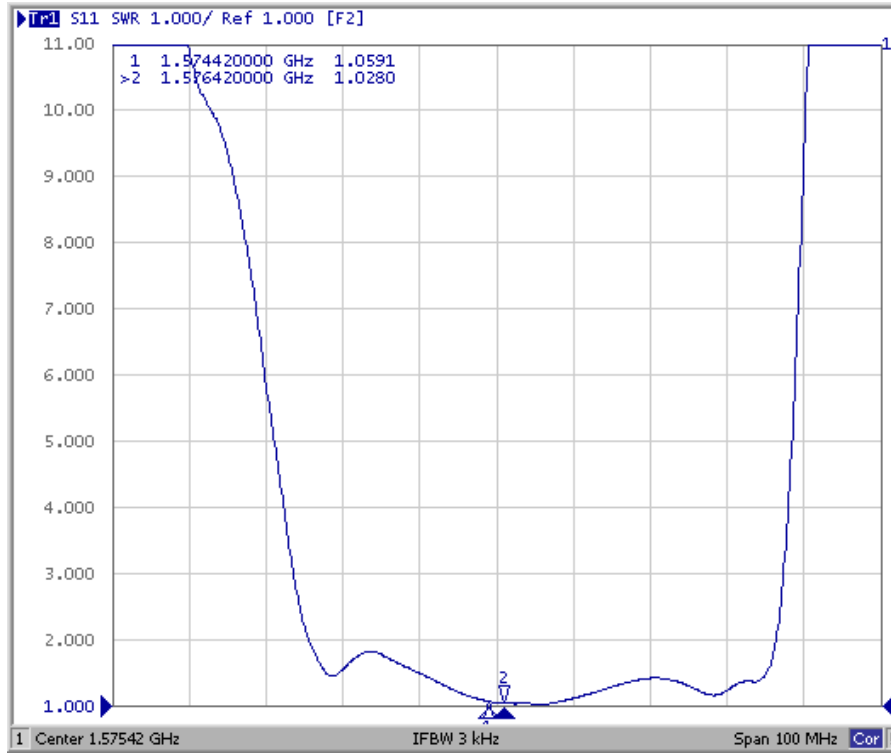


SAW Filter 1575.420MHz
Part No: MP08177

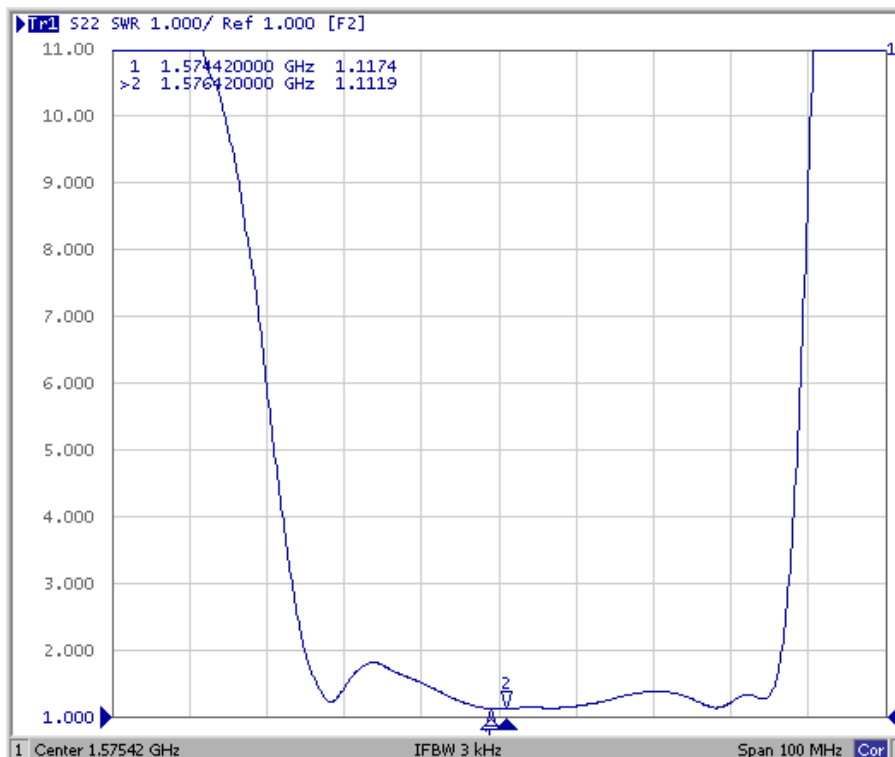
Model: TA1599A
Rev No: 1

Reflection Functions:

S11



S22

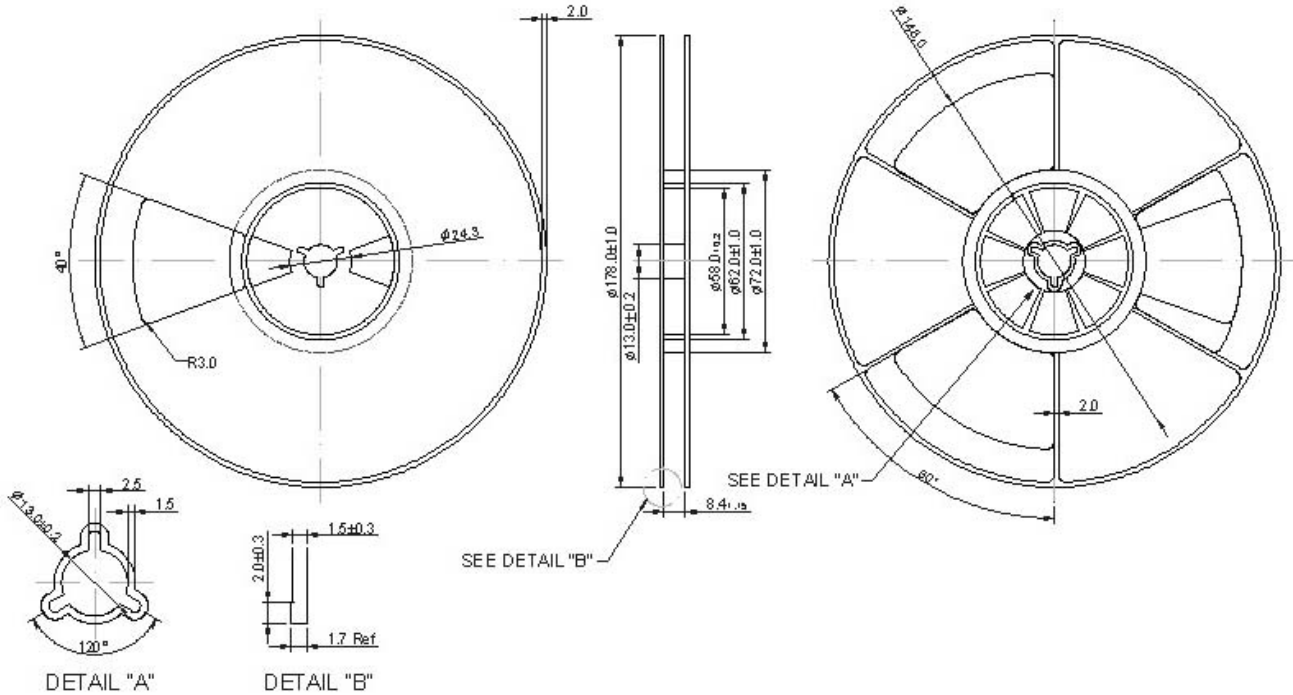


SAW Filter 1575.420MHz
Part No: MP08177

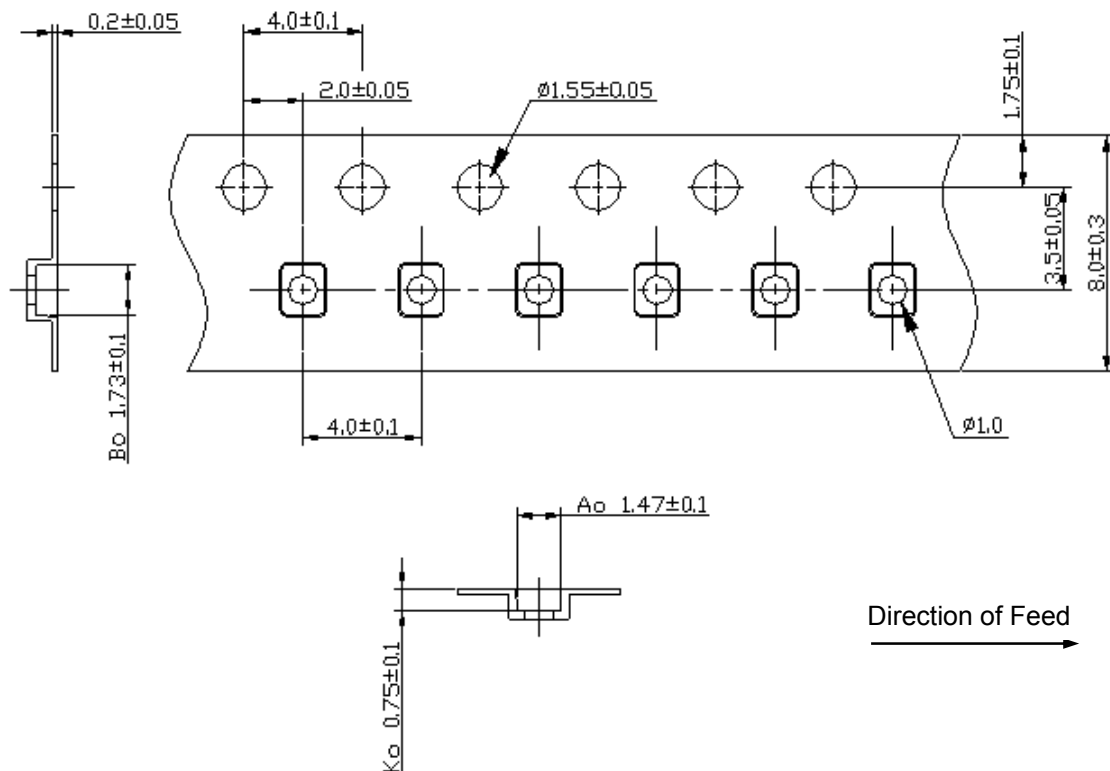
Model: TA1599A
Rev No: 1

G. PACKING:

1. Reel Dimension



2. Tape Dimension



SAW Filter 1575.420MHz
Part No: MP08177

Model: TA1599A
Rev No: 1

H. RECOMMENDED REFLOW PROFILE:

1. Preheating shall be fixed at 150 ~ 180°C for 60 ~ 90 seconds.
2. Ascending time to preheating temperature 150°C shall be 30 seconds min.
3. Heating shall be fixed at 220°C for 50 ~ 80 seconds and at 245 ~ 260°C peak (min. 10 sec).
4. Time: 2 times.

