

SAW Filter 800.0MHz
Part No: MA07407

Model: TA0415A
Rev No: 1

A. MAXIMUM RATING:

1. Input Power Level: 5dBm
2. DC voltage: 5V
3. Operating Temperature: -20°C to 70°C
4. Storage Temperature: -40°C to +85°C

B. CHARACTERISTICS:

Item	Unit	Min.	Typ.	Max.
Center frequency Fc MHz		-	800	-
Insertion loss 790 ~ 810MHz IL	dB	-	2.4	3.8
Amplitude ripple 790 ~ 810MHz	dB	-	0.8	2.0
Attenuation (Reference level from 0dB)				
600 ~ 700 MHz	dB	40	48	-
700 ~ 750MHz	dB	30	46	-
860 ~ 900MHz	dB	30	43	-
900 ~ 1000MHz	dB	38	49	-
Source impedance Z _S	Ω	-	50	-
Load impedance Z _L	Ω	-	50	-

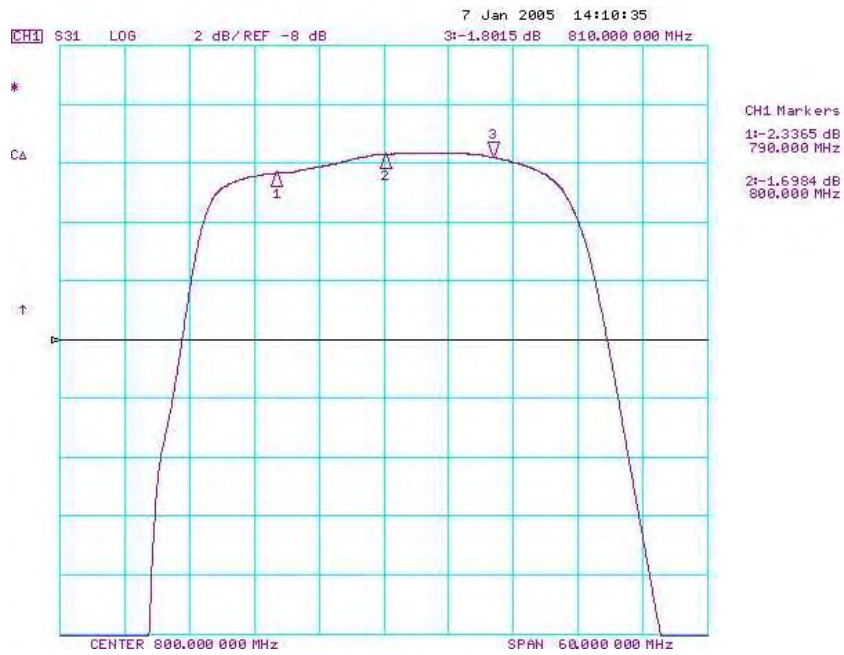
Note: No matching network required for operation at 50Ω

SAW Filter 800.0MHz
Part No: MA07407

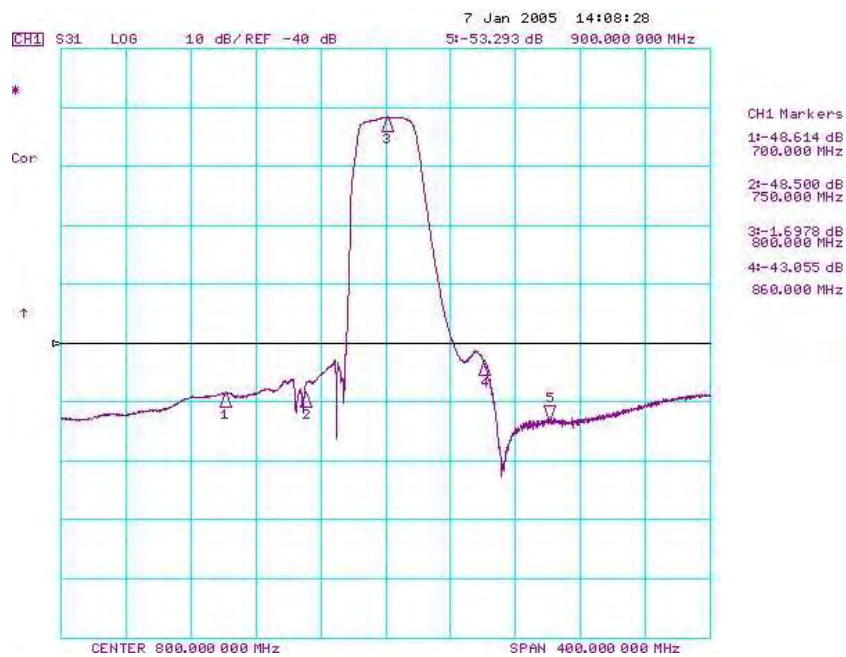
Model: TA0415A
Rev No: 1

C. FREQUENCY CHARACTERISTICS:

1. Transfer Function



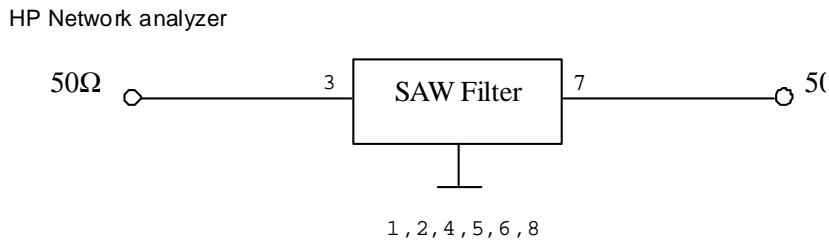
2. Wideband



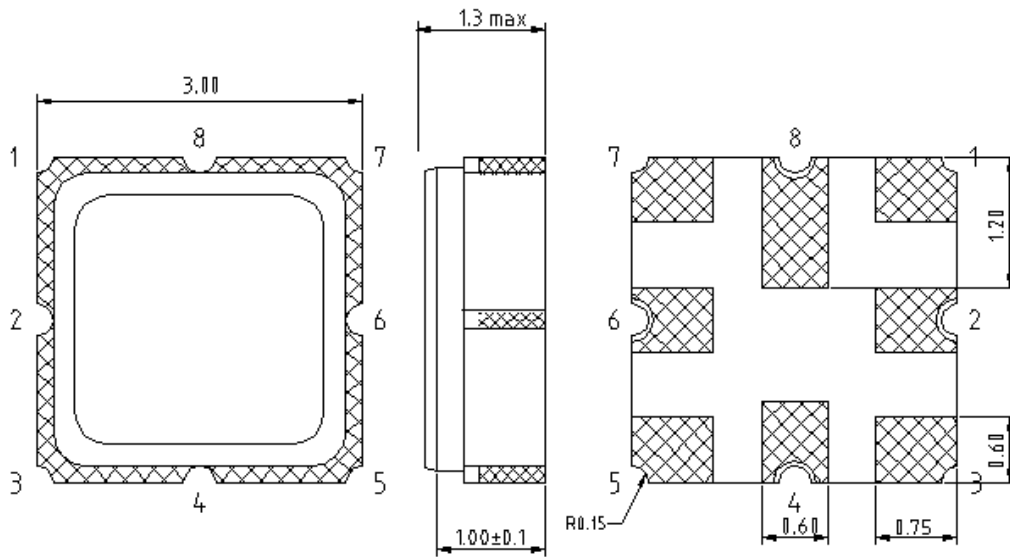
SAW Filter 800.0MHz
Part No: MA07407

Model: TA0415A
Rev No: 1

D. MEASUREMENT CIRCUIT:



E. OUTLINE DRAWING:



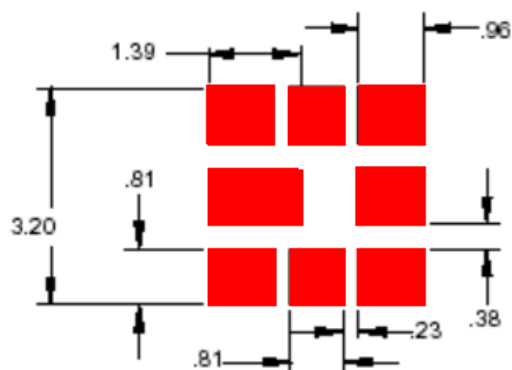
3: Input

7: Output

1, 2, 4, 5, 6, 8: Ground

Unit: mm

F. PCB FOOTPRINT:

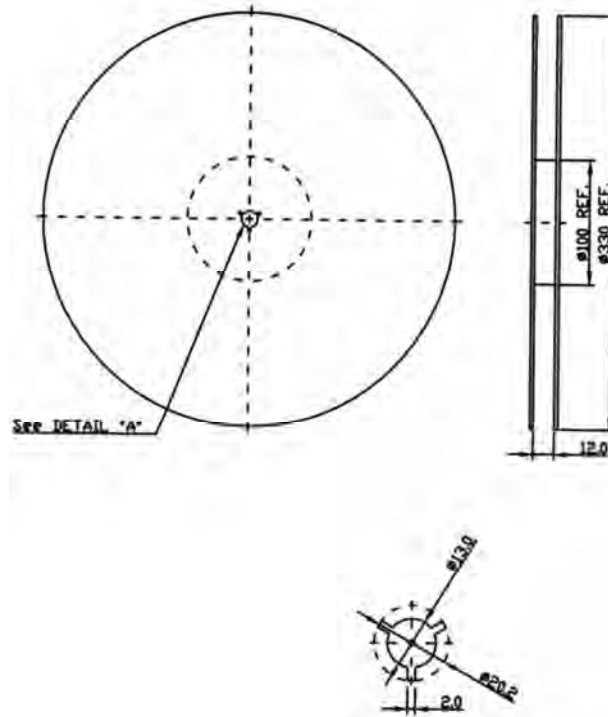


SAW Filter 800.0MHz
Part No: MA07407

Model: TA0415A
Rev No: 1

G. PACKING:

1. REEL DIMENSION



2. TAPE DIMENSION

