

**SAW Filter 713.0MHz**  
**Part No: MA07972**

**Model: TA0342A**  
**Rev No: 1**

**A. MAXIMUM RATING:**

1. Input Power Level: 12dBm
2. DC voltage: 10V
3. Operating Temperature: -10°C to +60°C
4. Storage Temperature: -40°C to +85°C

**B. ELECTRICAL CHARACTERISTICS:**

Reference temperature: 25°C

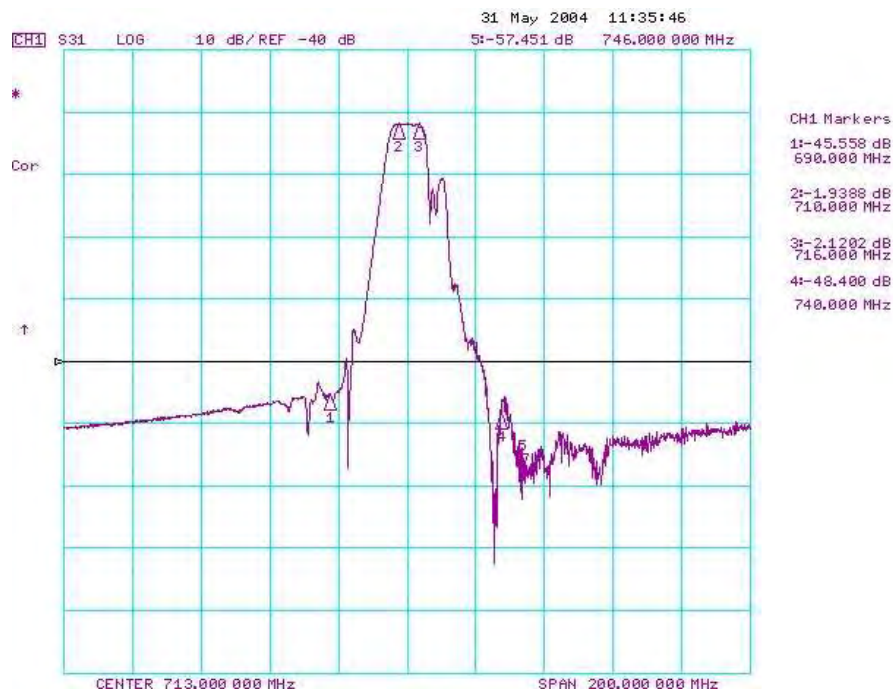
Item		Min.	Typ.	Max.
Center frequency Fc	MHz	-	713	-
Insertion loss 710 ~ 716MHz IL	dB	-	2.4	4.5
Amplitude ripple 710 ~ 716MHz	dB	-	0.5	-
Absolute Attenuation				
0 ~ 613MHz	dB	44	50	-
613 ~ 663MHz	dB	40	48	-
663 ~ 690MHz	dB	35	43	-
740 ~ 746MHz	dB	35	46	-
763 ~ 813MHz	dB	40	50	-
813 ~ 1000MHz	dB	38	45	-
1000 ~ 1500MHz	dB	25	34	-
Group Delay Variation (p-p)	ns	-	40	-
Temperature coefficient of frequency	ppm/°C		-35	
Source impedance Z <sub>S</sub>	Ω	-	50	-
Load impedance Z <sub>L</sub>	Ω	-	50	-

**SAW Filter 713.0MHz**  
**Part No: MA07972**

**Model: TA0342A**  
**Rev No: 1**

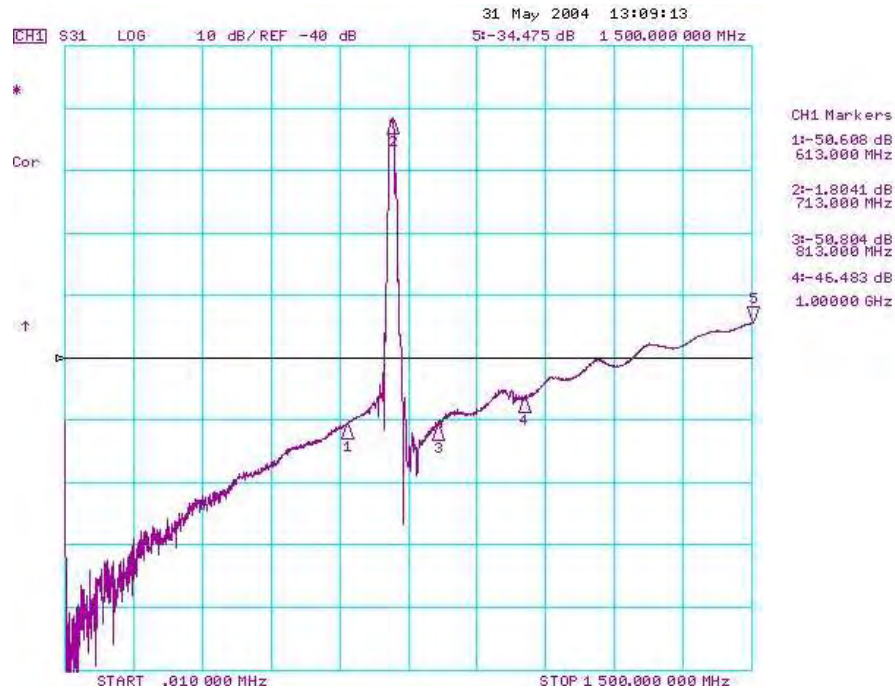
**C. FREQUENCY CHARACTERISTICS:**

Transfer Function:

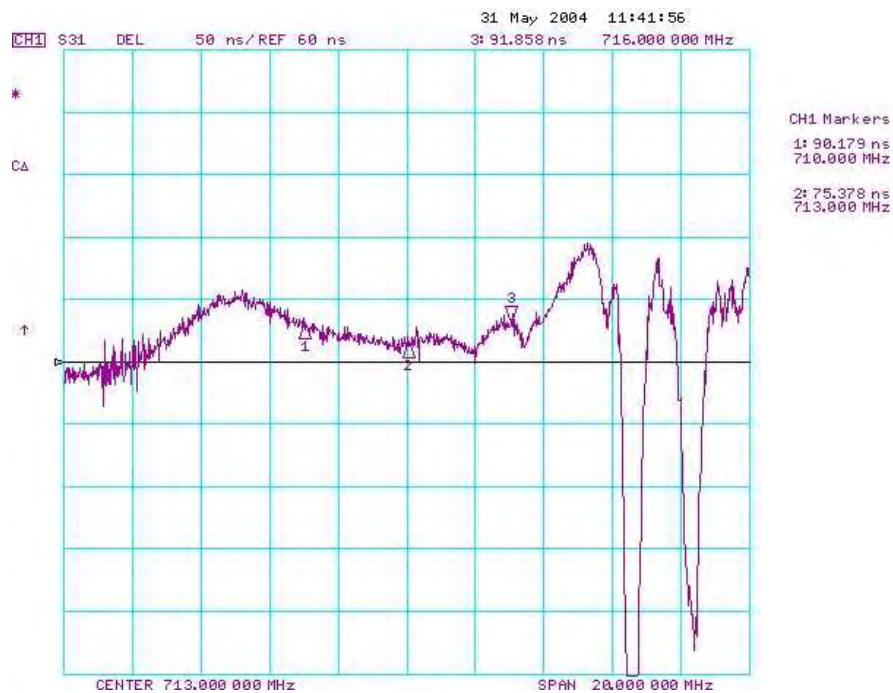


**SAW Filter 713.0MHz**  
**Part No: MA07972**

**Model: TA0342A**  
**Rev No: 1**



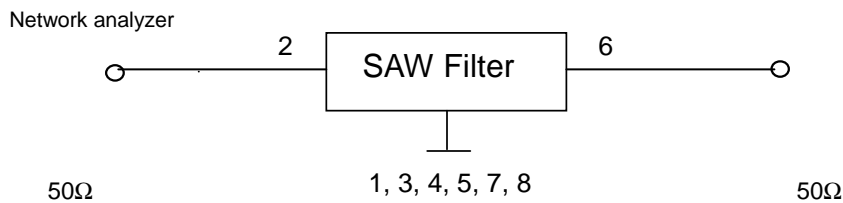
### Group Delay Variation



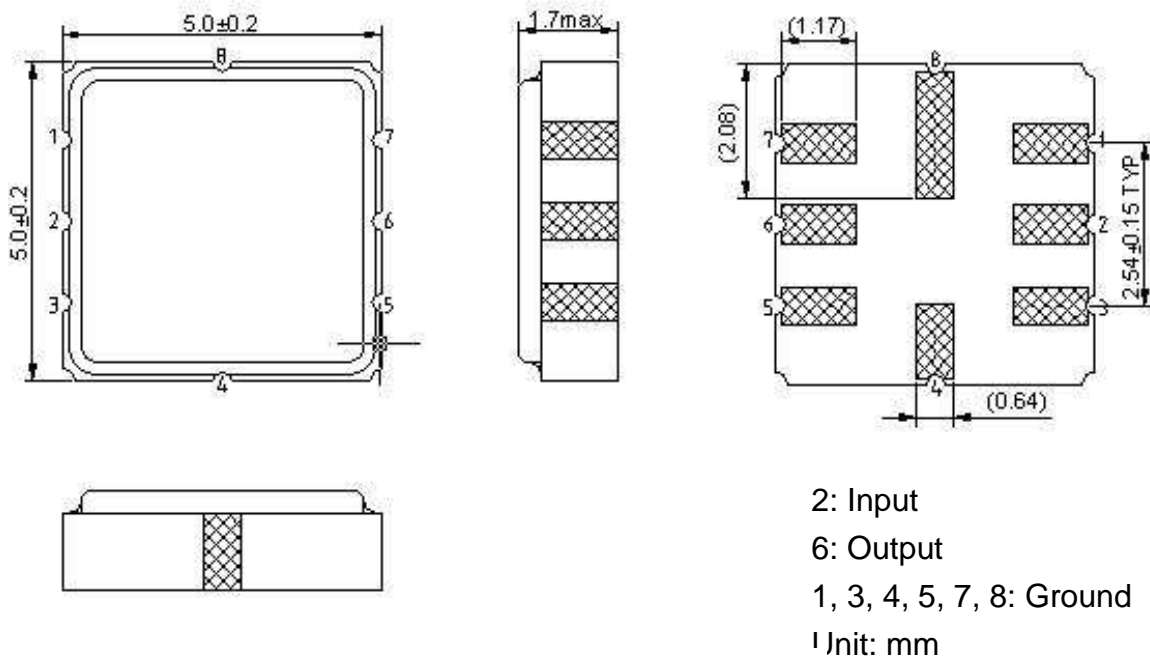
**SAW Filter 713.0MHz**  
**Part No: MA07972**

**Model: TA0342A**  
**Rev No: 1**

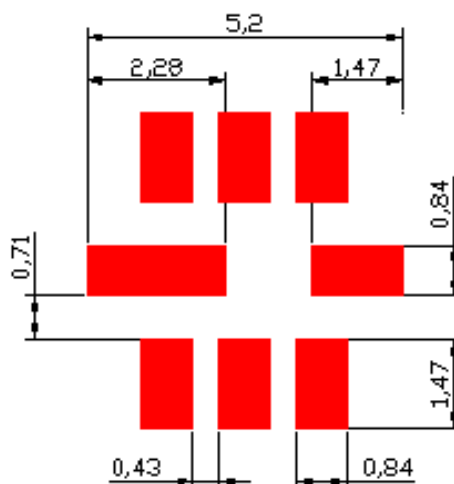
**D. MEASUREMENT CIRCUIT:**



**E. OUTLINE DRAWING:**



**F. PCB FOOTPRINT:**

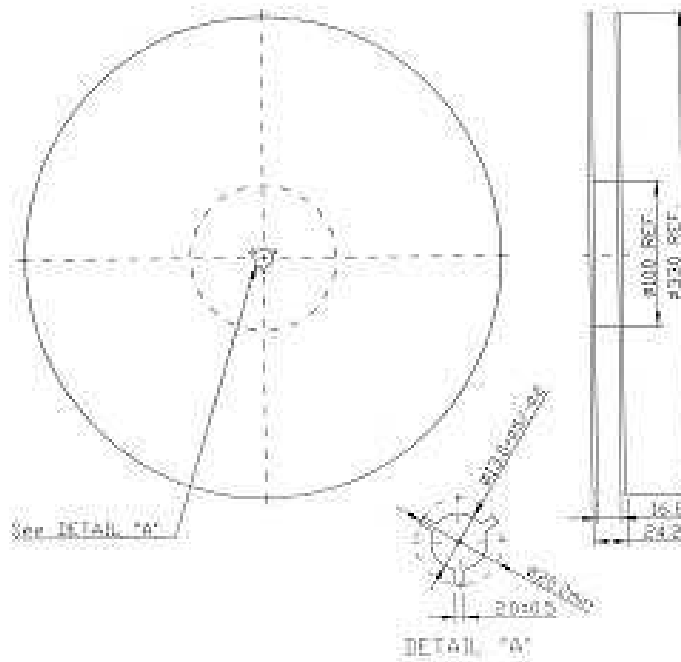


**SAW Filter 713.0MHz**  
**Part No: MA07972**

**Model: TA0342A**  
**Rev No: 1**

**G. PACKING:**

**1. REEL DIMENSION**



**2. TAPE DIMENSION**

