

SAW Filter 743.0MHz
Part No: MA07973

Model: TA0343A
Rev No: 1

A. MAXIMUM RATING:

1. Input Power Level: 12dBm
2. DC voltage: 10V
3. Operating Temperature: -10°C to +60°C
4. Storage Temperature: -40°C to +85°C

B. ELECTRICAL CHARACTERISTICS:

Reference temperature: 25°C

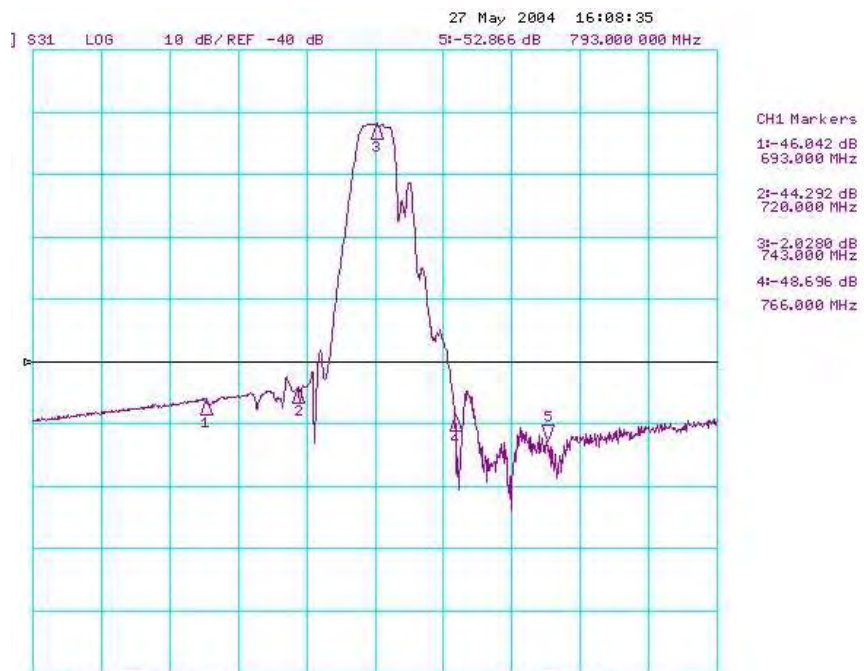
| Item | Unit | Min. | Typ. | Max. |
|--------------------------------------|--------|------|------|------|
| Center frequency Fc | MHz | - | 743 | - |
| Insertion loss 740 ~ 746MHz IL | dB | - | 2.6 | 4.5 |
| Amplitude ripple 740 ~ 746MHz | dB | - | 0.7 | |
| Absolute Attenuation | | | | |
| 0 ~ 643MHz | dB | 43 | 49 | - |
| 643 ~ 693MHz | dB | 40 | 46 | - |
| 693 ~ 720MHz | dB | 35 | 42 | - |
| 766 ~ 793MHz | dB | 35 | 45 | - |
| 793 ~ 843MHz | dB | 40 | 49 | - |
| 843 ~ 1000MHz | dB | 38 | 45 | - |
| 1000 ~ 1500MHz | dB | 25 | 33 | - |
| Group Delay Variation (p-p) | ns | - | 45 | - |
| Temperature coefficient of frequency | ppm/°C | | -35 | |
| Source impedance Z _S | Ω | - | 50 | - |
| Load impedance Z _L | Ω | - | 50 | - |

SAW Filter 743.0MHz
Part No: MA07973

Model: TA0343A
Rev No: 1

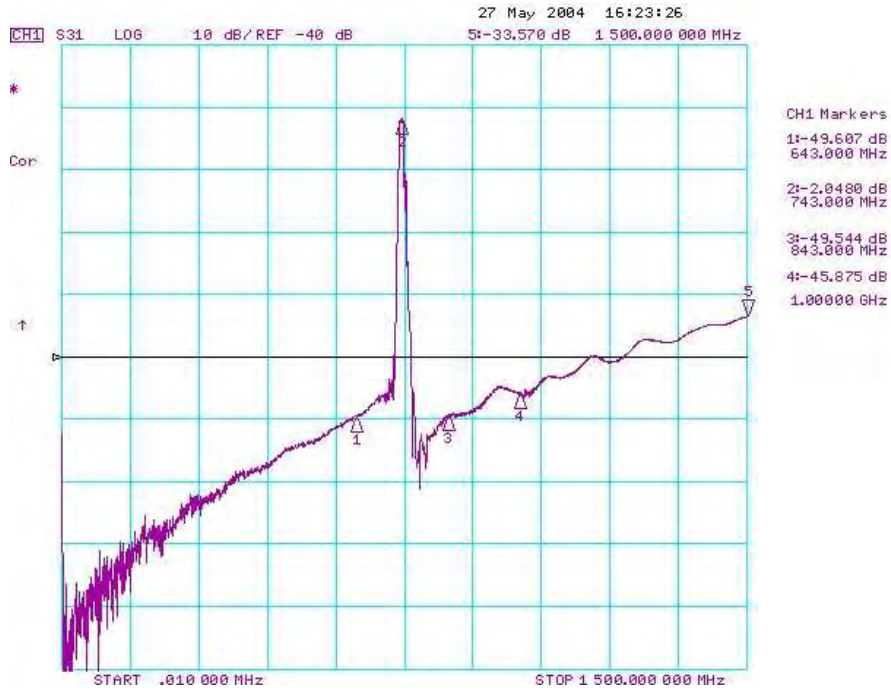
C. FREQUENCY CHARACTERISTICS:

1. Transfer Function:

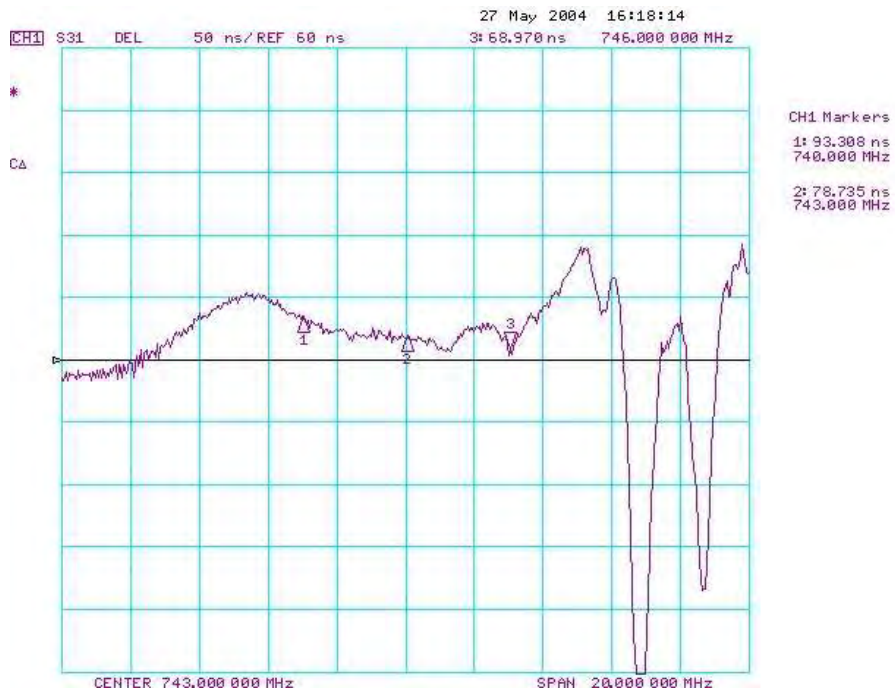


SAW Filter 743.0MHz
Part No: MA07973

Model: TA0343A
Rev No: 1



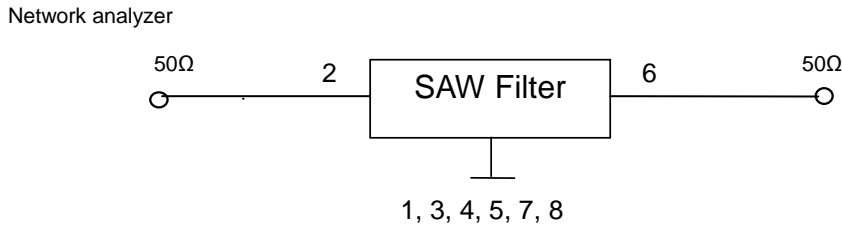
2. Group Delay:



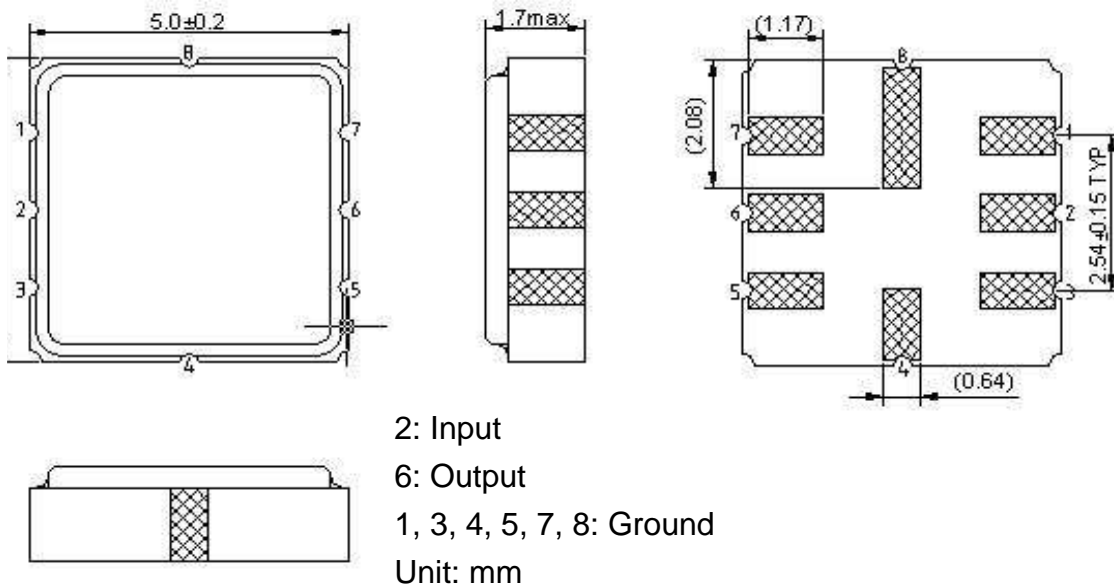
SAW Filter 743.0MHz
Part No: MA07973

Model: TA0343A
Rev No: 1

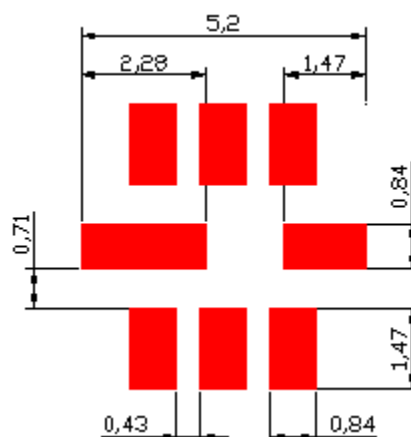
D. MEASUREMENT CIRCUIT:



E. OUTLINE DRAWING:



F. PCB FOOTPRINT:

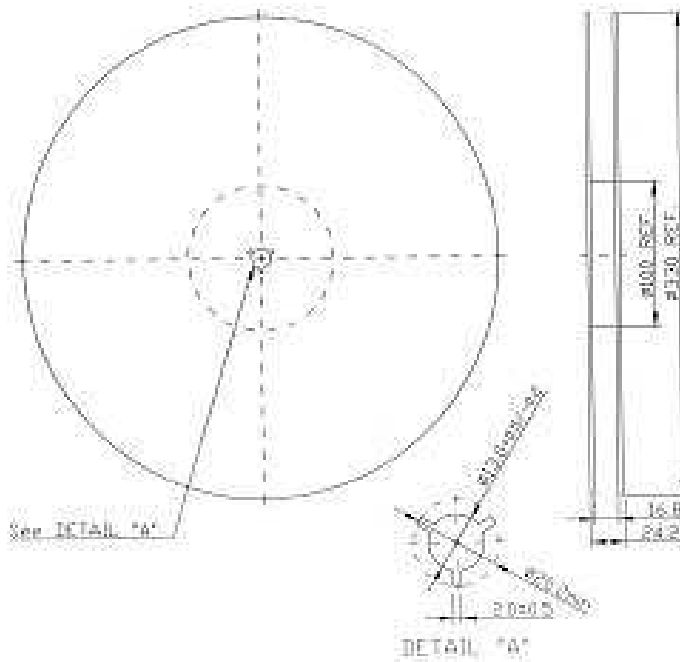


SAW Filter 743.0MHz
Part No: MA07973

Model: TA0343A
Rev No: 1

G. PACKING:

1. REEL DIMENSION



2. TAPE DIMENSION

