

SAW Resonator 479.450MHz
Part No: MA08343

Model: TC0238A
Rev. No: 1

A. FEATURES:

One-Port Resonator

B. MAXIMUM RATING:

1. Input Power Level: 0dBm
2. DC voltage: 12V
3. Operating Temperature: -40°C to +85°C
4. Storage Temperature: -40°C to +85°C

C. ELECTRICAL CHARACTERISTICS:

Reference Temperature T_A=25°C

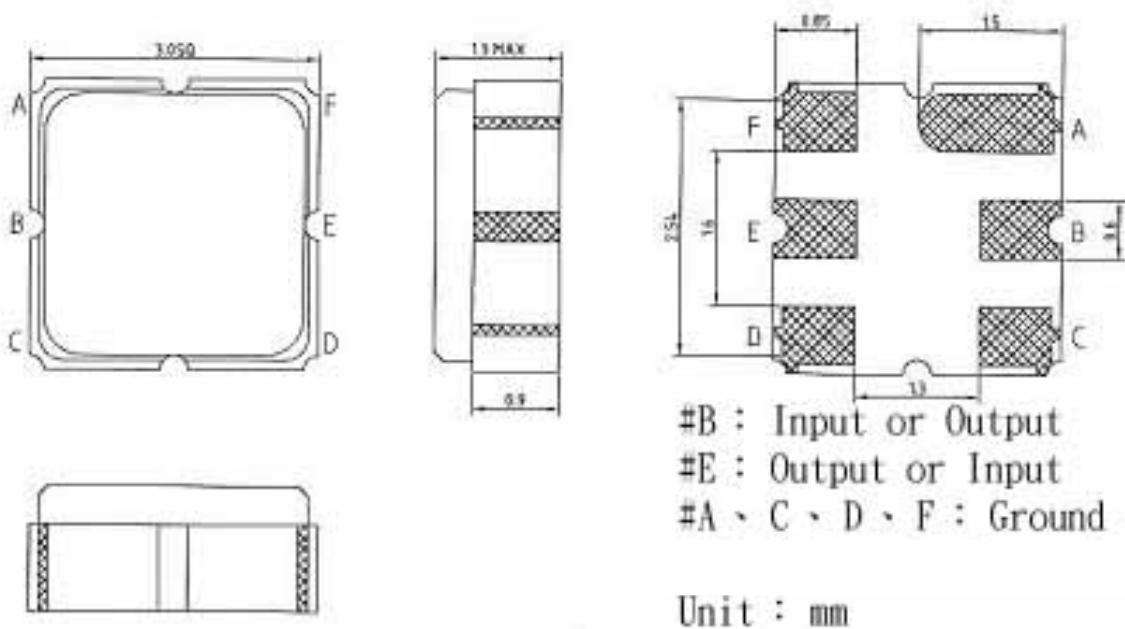
Characteristic	Units	Min.	Typ.	Max.
Center frequency Fc	MHz	479.375	479.450	479.525
Insertion Loss IL	dB	-	1.41	2.5
Unload quality factor QU		6000	10000	-
Ageing of fc	ppm/yr	-	-	±10
Motional capacitance C1	fF	-	1.36	-
Motional inductance L1	µH	-	80.9	-
Motional resistance R1	Ohm	-	20.42	-
Parallel capacitance Co	pF	-	2.77	-
Frequency Temperature coefficient (TCf)	ppm/c*2	-	0.032	-
Turnover To	deg. C	10	25	40
Package size	SMD 3 X 3 X 1.1mm			

Temperature dependence of fc: $fc(T_A) = fc(T_O) (1 + TC_f(T_A - T_O)^2)$

SAW Resonator 479.450MHz
Part No: MA08343

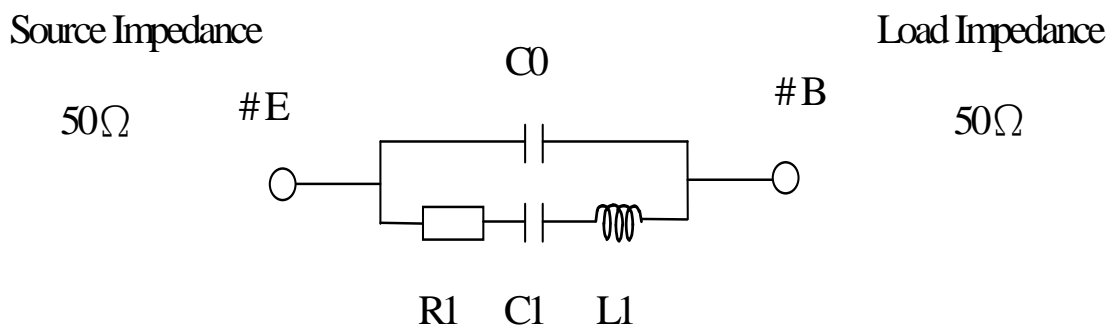
Model: TC0238A
Rev. No: 1

D. OUTLINE DRAWING:



E. EQUIVALENT CIRCUIT:

One-Port Resonator:

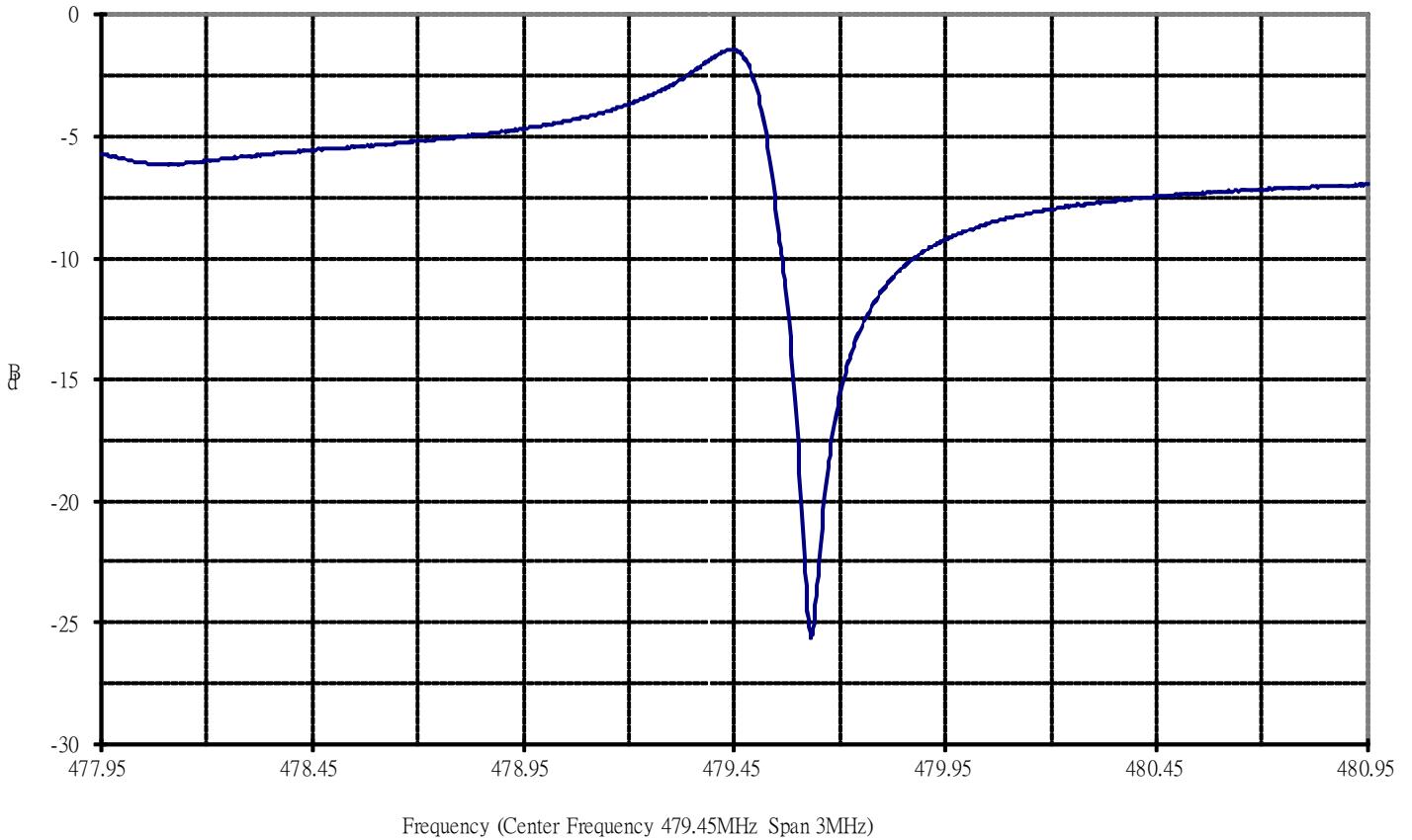


SAW Resonator 479.450MHz
Part No: MA08343

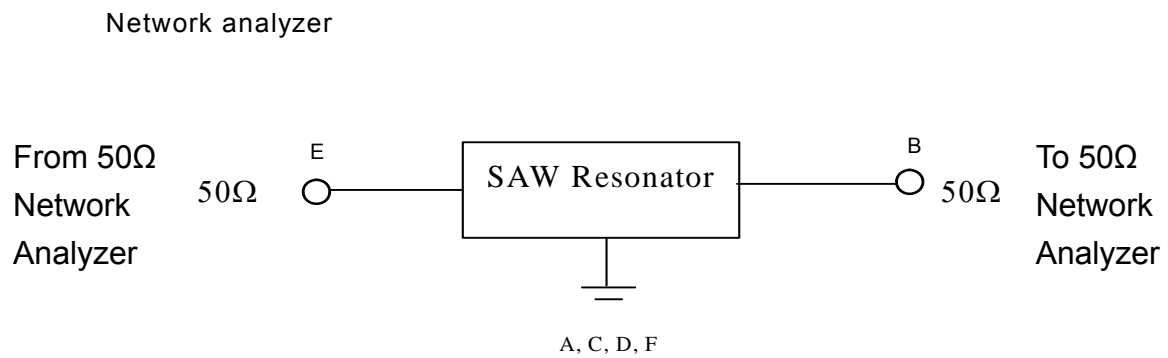
Model: TC0238A
Rev. No: 1

F. FREQUENCY CHARACTERISTICS:

Resonator 479.45MHz Frequency Characteristics (S21)



G. TEST CIRCUIT:

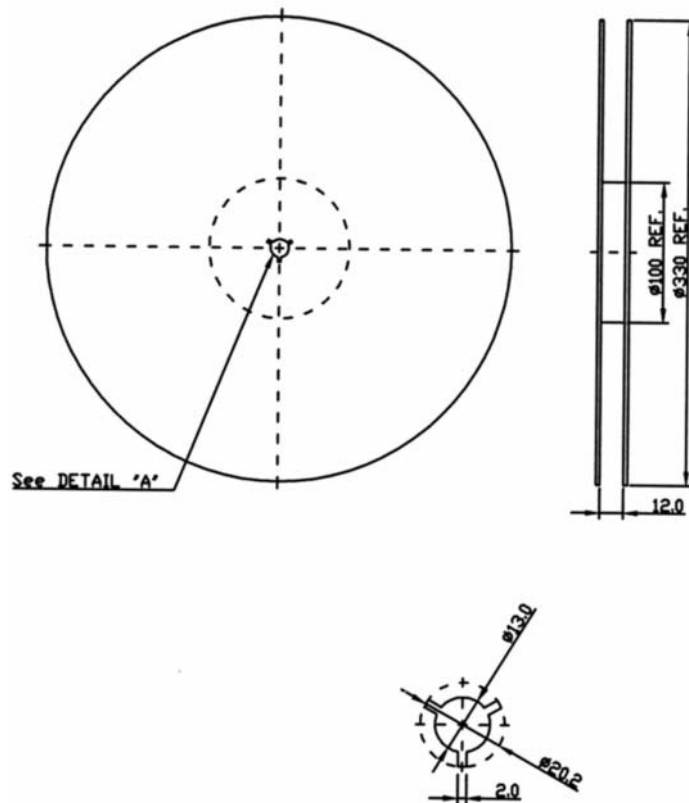


SAW Resonator 479.450MHz
Part No: MA08343

Model: TC0238A
Rev. No: 1

H. PACKING:

1. Reel Dimension



2. Tape Dimension

