

**SAW Filter 1960.0MHz**  
**Part No: MA08479**

**Model: TA0319A**  
**Rev No: 1**

**A. MAXIMUM RATING:**

1. Operating Temperature: -20°C ~ +75°C
2. Storage Temperature: -40°C ~ +85°C

**B. ELECTRICAL CHARACTERISTICS:**

Singled to Balanced operation

Terminating source impedance:  $Z_S = 50\Omega$

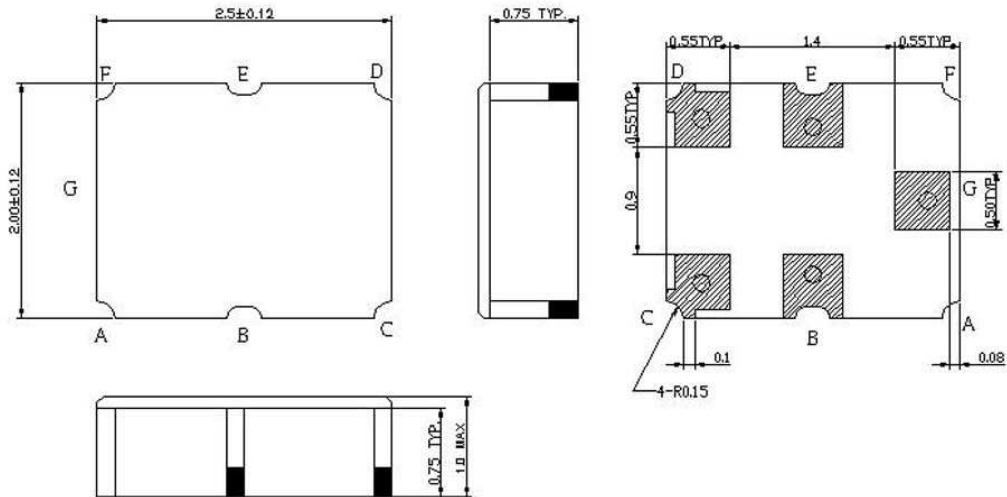
Terminating load impedance:  $Z_L = 150\Omega // 18nH$

Item	Value			Note
	Min.	Typ.	Max.	
Center frequency Fc MHz	-	1960	-	-
Insertion loss (1930 ~ 1990MHz) IL (dB)	-	3.3	4.0	-
Ripple (1930 ~ 1990MHz) (dB)	-	0.8	2.4	-
Input VSWR (1930 ~ 1990MHz)	-	1.8	2.7	-
Output VSWR (1930 ~ 1990MHz)	-	2.3	2.7	-
Attenuation: (Reference level from 0dB)				
0 ~ 1000MHz (dB)	45	57	-	-
1000 ~ 1830MHz (dB)	25	31	-	-
1830 ~ 1900MHz (dB)	15	25	-	-
1900 ~ 1910MHz (dB)	7	14	-	-
2010 ~ 2030MHz (dB)	5	12	-	-
2030 ~ 2070MHz (dB)	12	18	-	-
2070 ~ 2310MHz (dB)	20	23.5	-	-
2310 ~ 2380MHz (dB)	35	38	-	-
2380 ~ 4600MHz (dB)	30	39	-	-
4600 ~ 6000MHz (dB)	23	54	-	-
Symmetry in band (referenced to the matched operating condition)				
Output amplitude balance ( $ S_{31}/S_{21} $ ) (1930 ~ 1990MHz) (dB)	-2.2	0	2.2	-
Output phase balance ( $\Phi(S_{31}) - \Phi(S_{21}) + 180^\circ$ ) (1930 ~ 1990MHz) degree	-15	0	15	-

**SAW Filter 1960.0MHz**  
**Part No: MA08479**

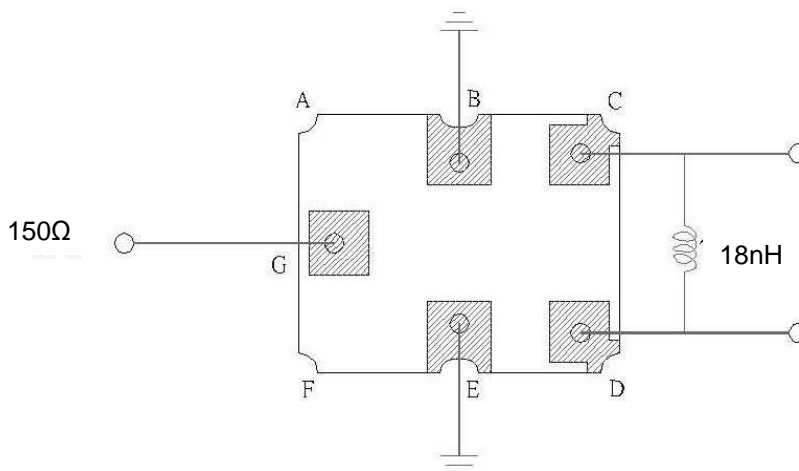
**Model: TA0319A**  
**Rev No: 1**

**C. OUTLINE DRAWING:**



G: Unbalance input  
 C, D: Balance output  
 B, E: Ground  
 Unit: mm

**D. MEASUREMENT CIRCUIT:**

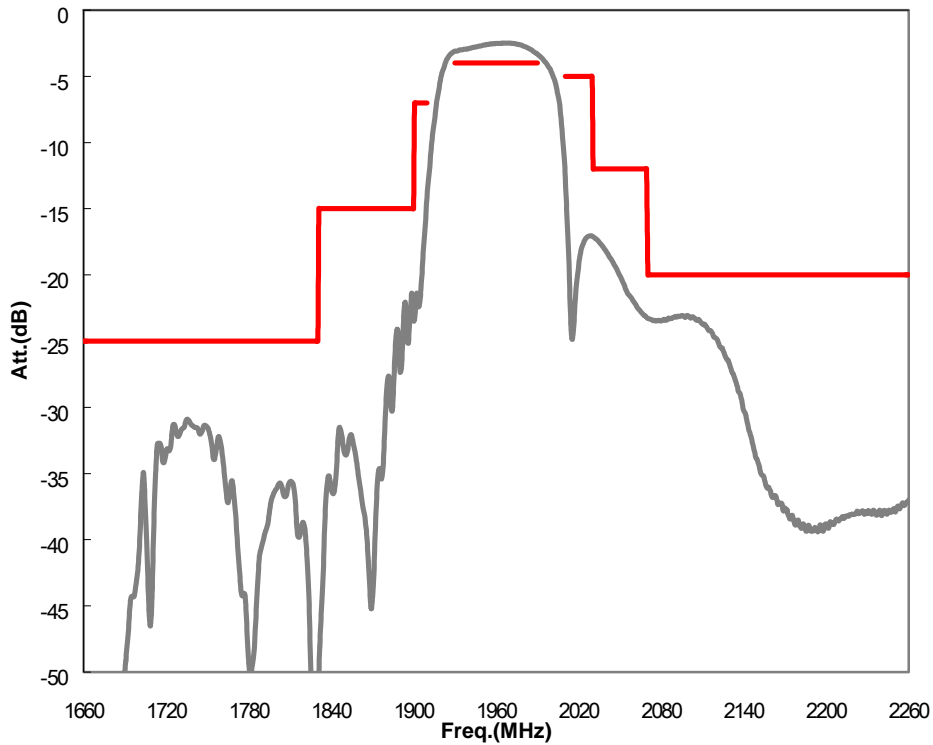


**SAW Filter 1960.0MHz**  
**Part No: MA08479**

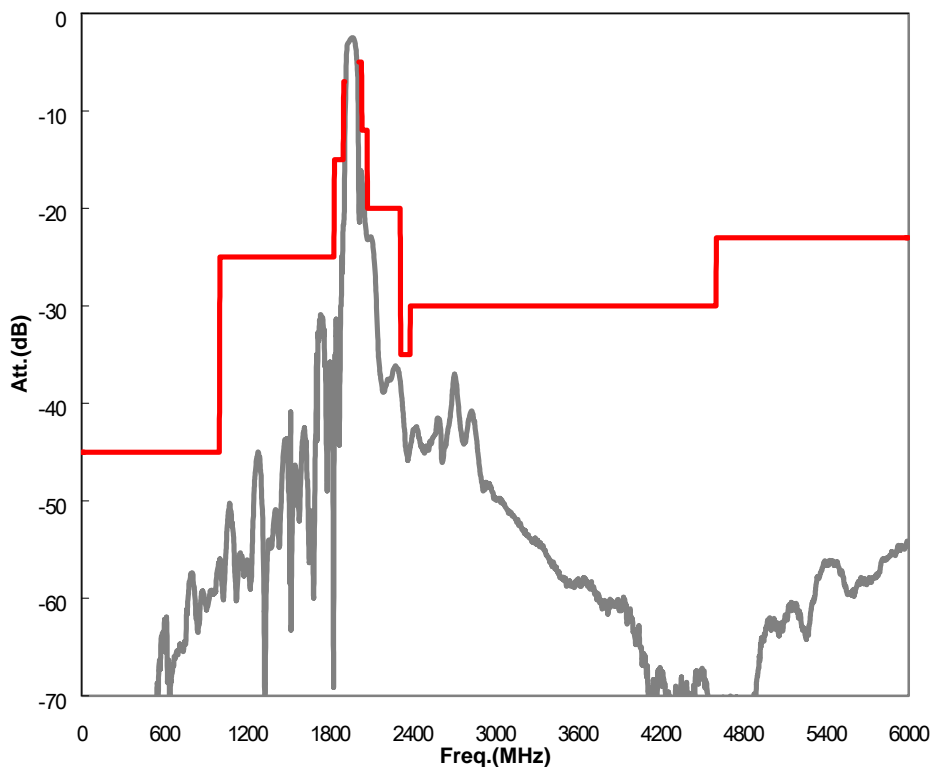
**Model: TA0319A**  
**Rev No: 1**

**E. FREQUENCY CHARACTERISTICS:**

1. Transfer function (25°C)



2. (wideband)

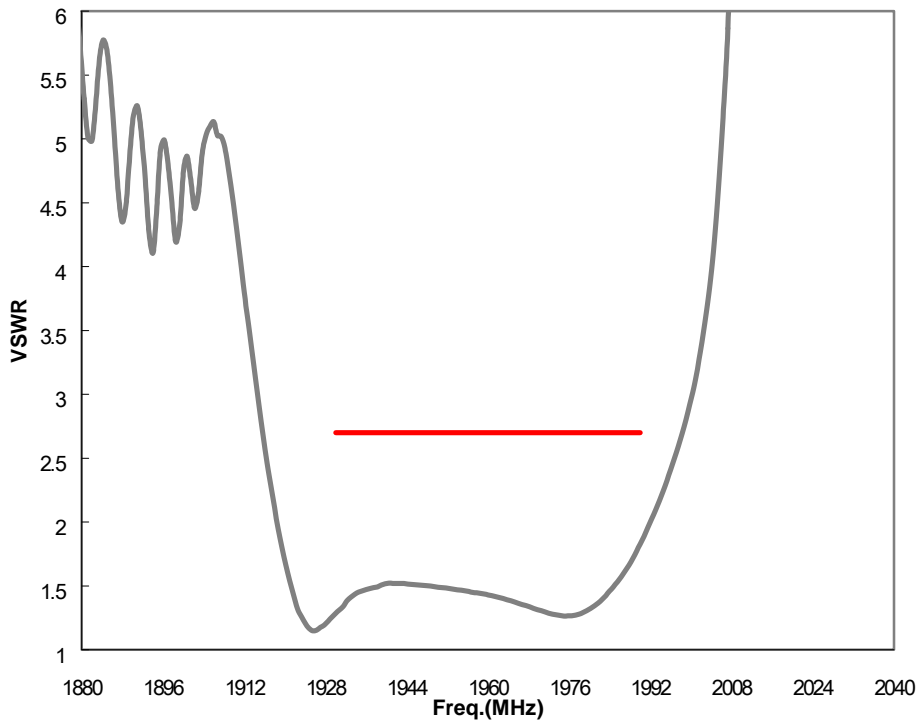


**SAW Filter 1960.0MHz**  
**Part No: MA08479**

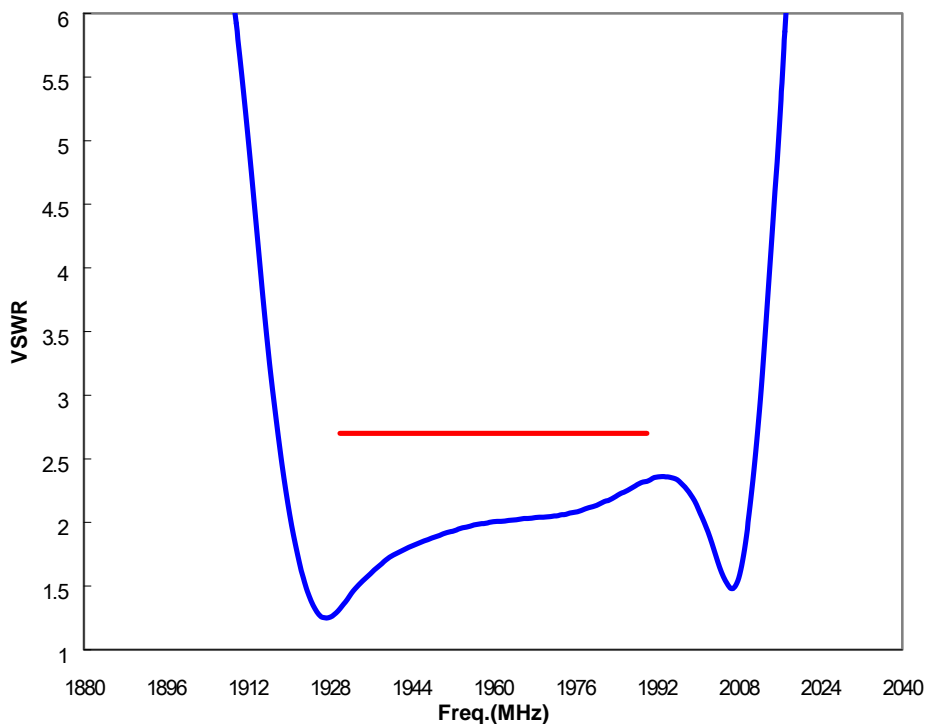
**Model: TA0319A**  
**Rev No: 1**

3. VSWR (25°C)

Unbalance Input



Balance Output

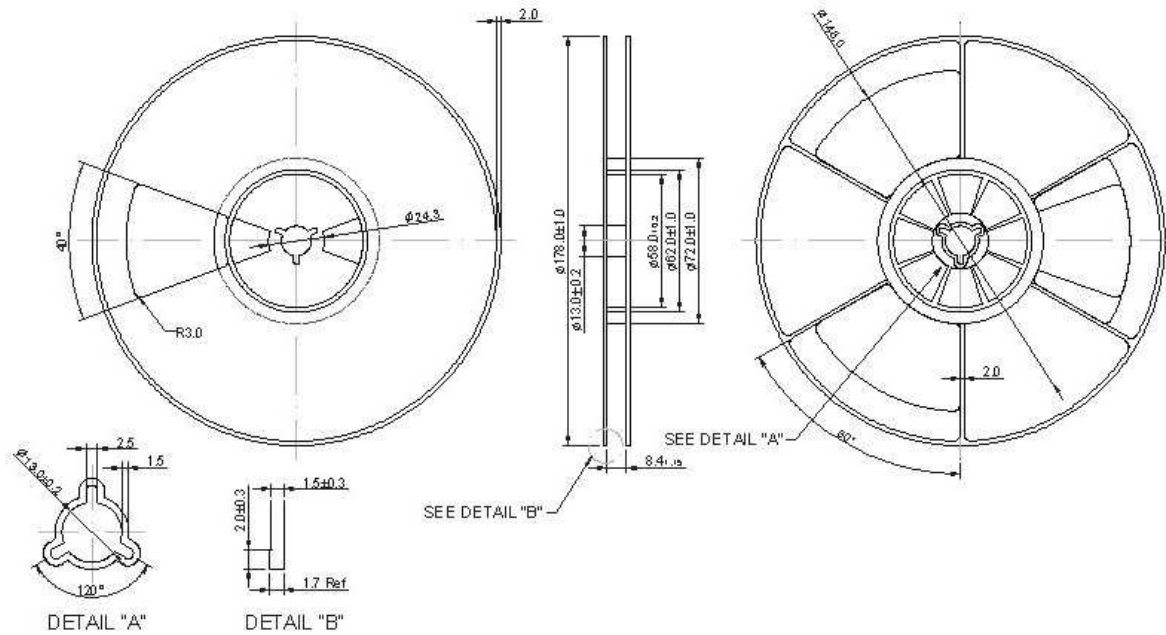


**SAW Filter 1960.0MHz**  
**Part No: MA08479**

**Model: TA0319A**  
**Rev No: 1**

**F. PACKING:**

**1. REEL DIMENSION**



**2. TAPE DIMENSION**

