

SAW Filter 1228.0MHz

Model: TA0509A

Part No: MA08527

REV. NO.: 1

A. MAXIMUM RATING:

1. Input Power Level: 5 dBm
2. DC voltage: 3 V
3. Operating Temperature: -30°C to 85°C
4. Storage Temperature: -40°C to +85°C

B. CHARACTERISTICS:

Terminating source impedance: $Z_S=50\Omega$

Terminating load impedance: $Z_L=50\Omega$ (balanced)

Item	Unit	Min.	Typ.	Max.
Center Frequency	MHz	-	1228	-
Insertion Loss 1218 ~ 1238 MHz	dB	-	3.4	4.4
Ripple 1218 ~ 1238 MHz	dB	-	0.9	1.7
Absolute Attenuation				
1 ~ 1088 MHz	dB	40	52	-
1088 ~ 1178 MHz	dB	32	50	-
1178 ~ 1190 MHz	dB	15	50	-
1268 ~ 1288 MHz	dB	13	29	-
1288 ~ 1378 MHz	dB	30	41	-
1378 ~ 1480 MHz	dB	36	54	-
1480 ~ 2500 MHz	dB	28	47	-
2500 ~ 4000 MHz	dB	13	20	-

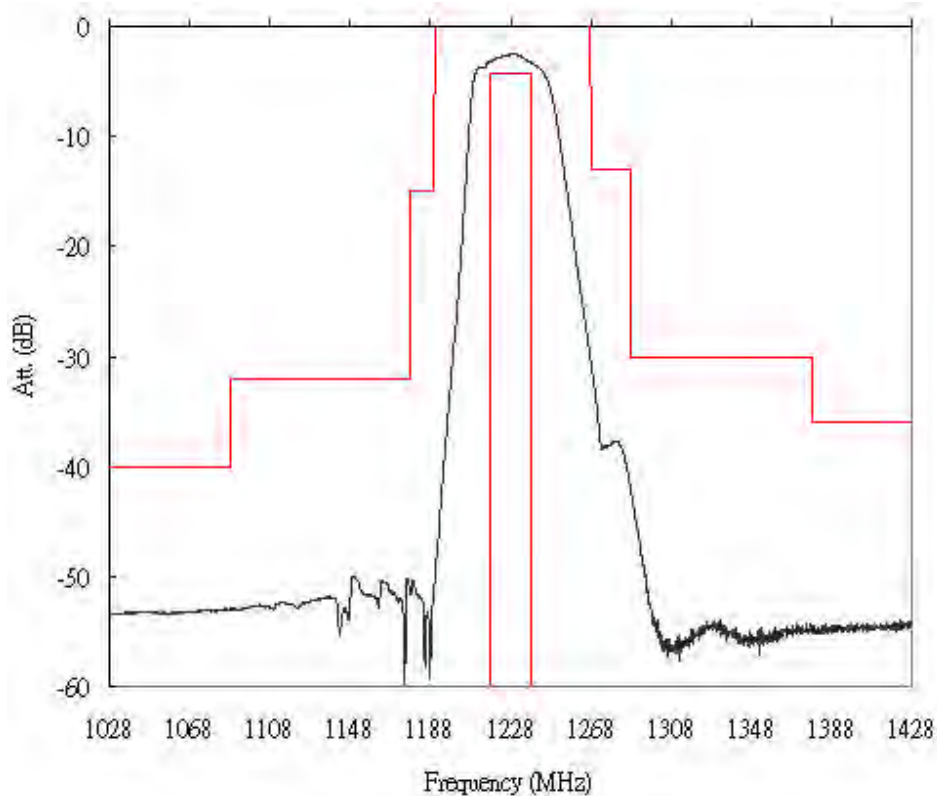
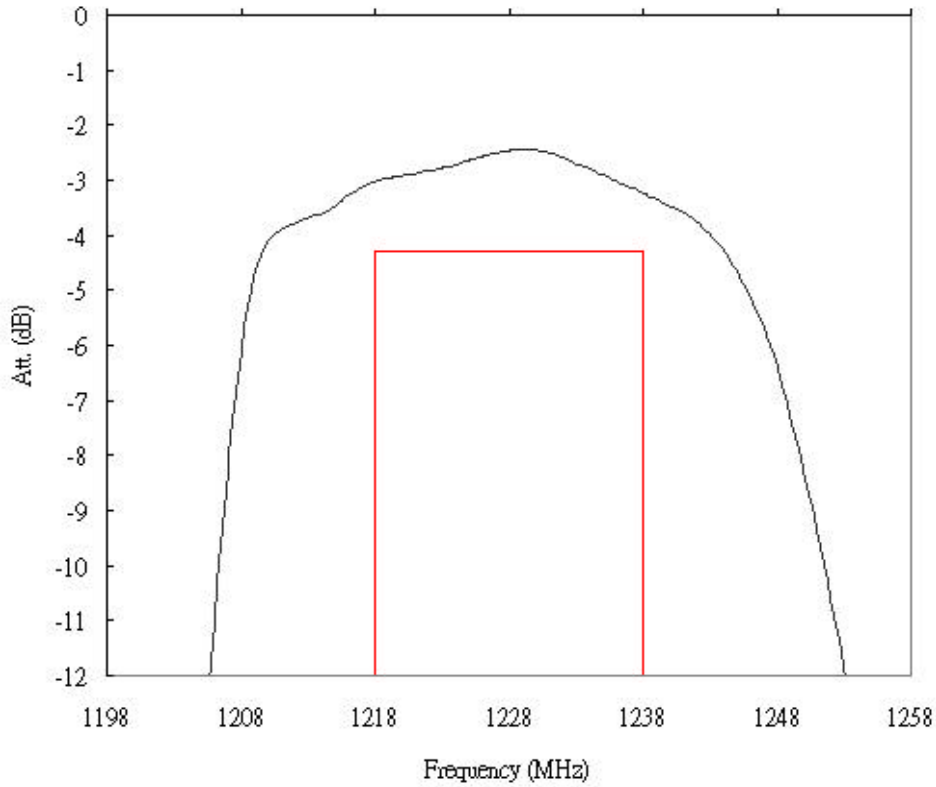
SAW Filter 1228.0MHz

Model: TA0509A

Part No: MA08527

REV. NO.: 1

C. TRANSFER FUNCTION:



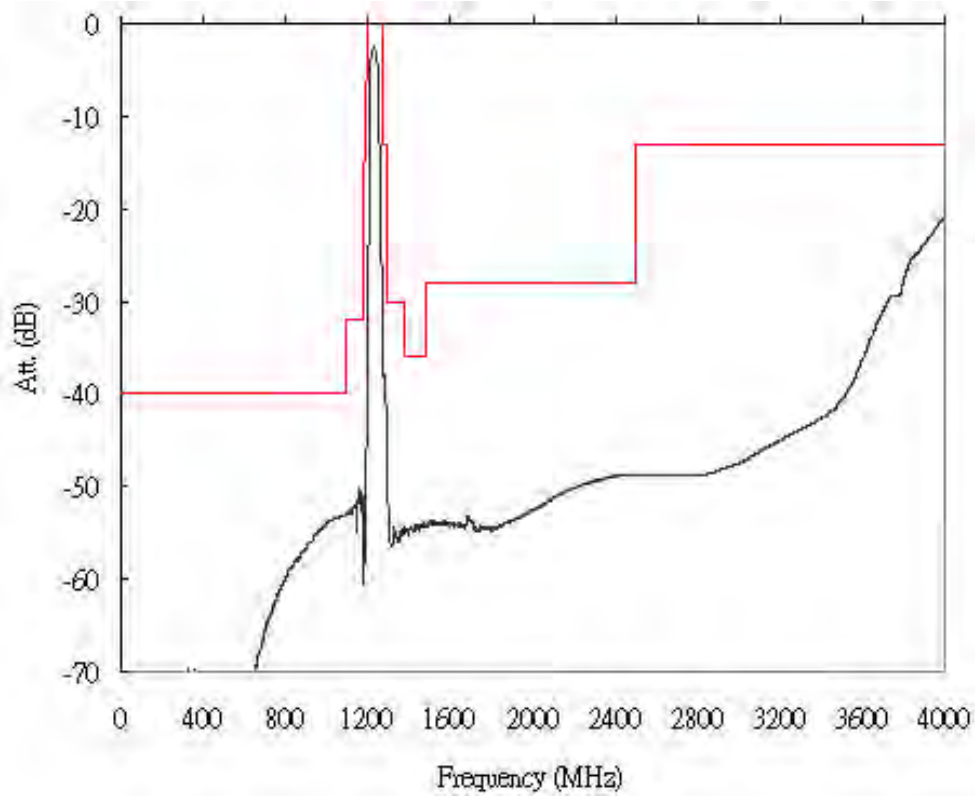
SAW Filter 1228.0MHz

Model: TA0509A

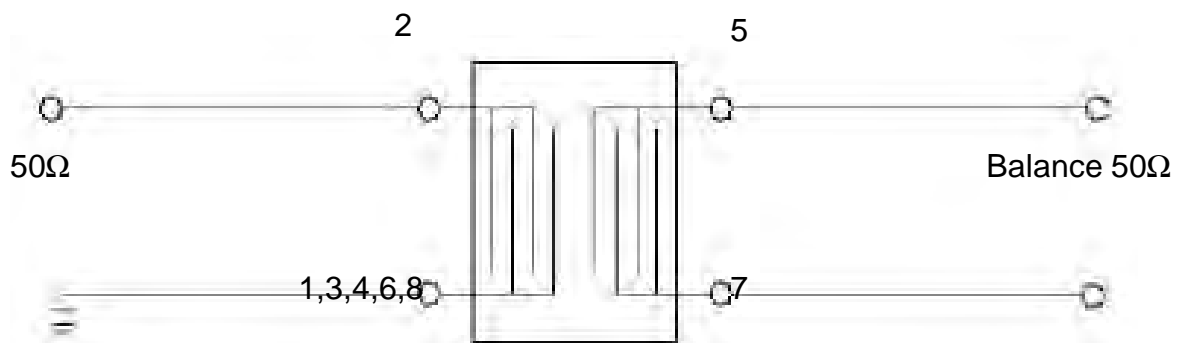
Part No: MA08527

REV. NO.: 1

Wideband



D. MEASUREMENT CIRCUIT:



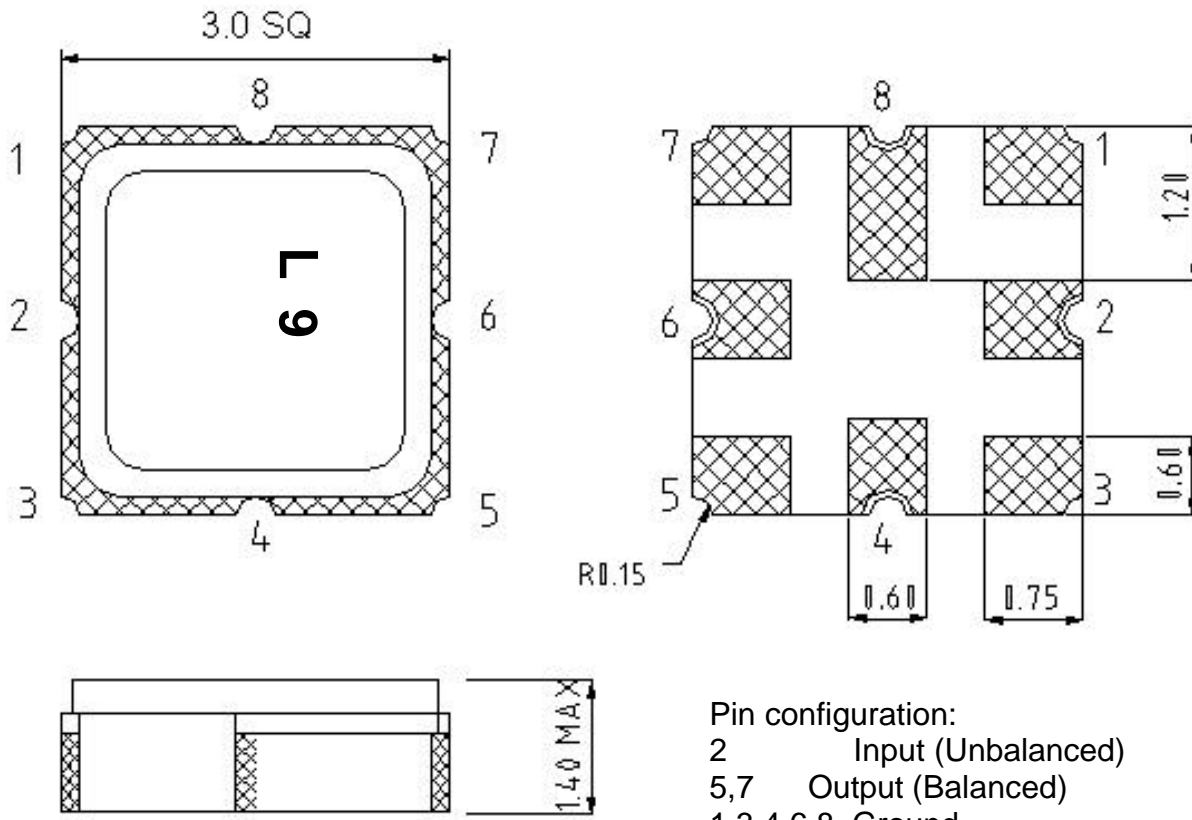
SAW Filter 1228.0MHz

Model: TA0509A

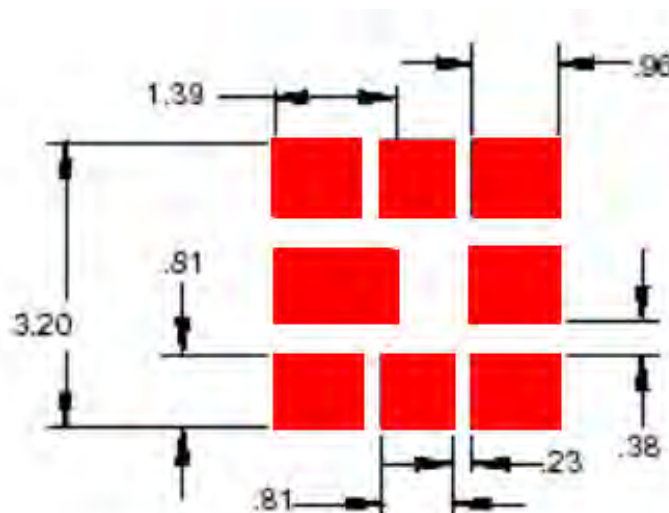
Part No: **MA08527**

REV. NO.: 1

E. OUTLINE DRAWING:



F. PCB FOOTPRINT:



SAW Filter 1228.0MHz

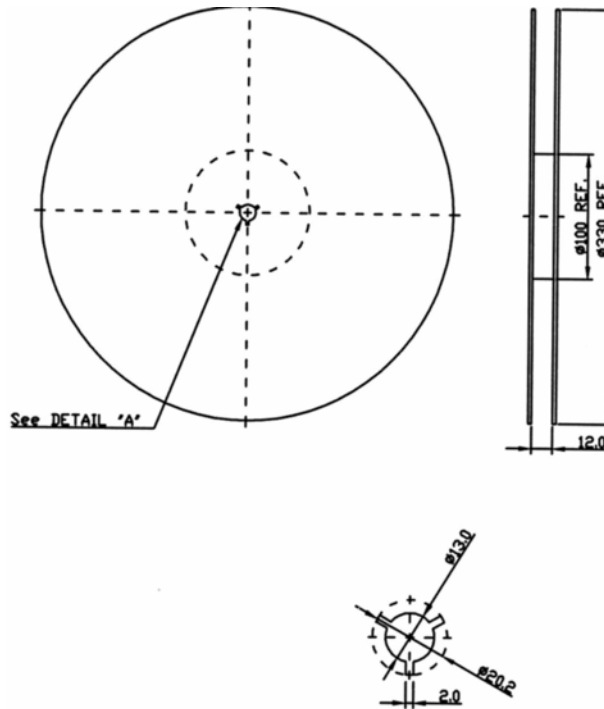
Model: TA0509A

Part No: MA08527

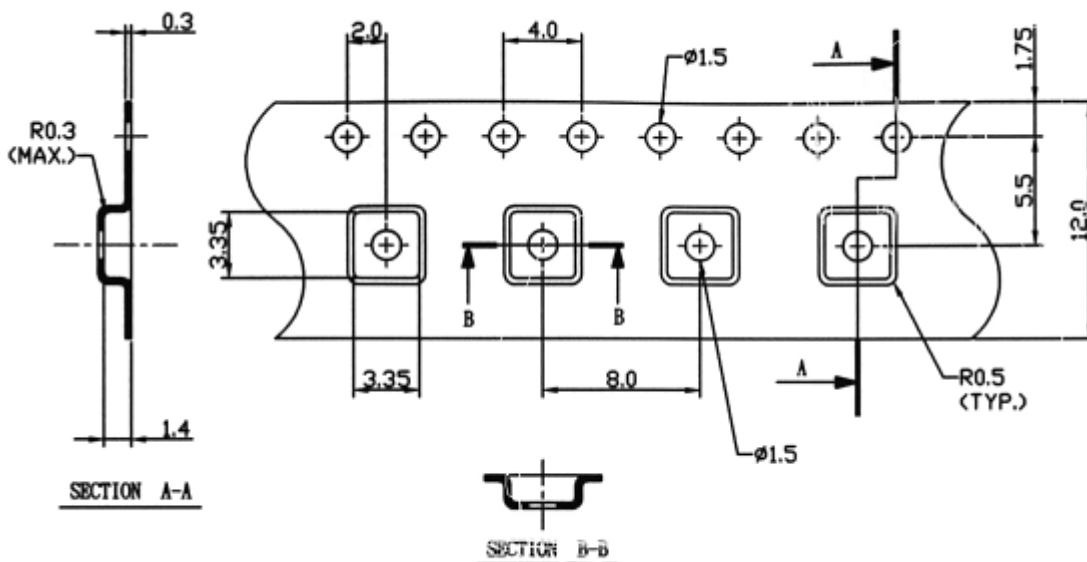
REV. NO.: 1

G. PACKING:

1. REEL DIMENSION



2. TAPE DIMENSION



→
Direction of Feed