

**SAW Filter 374.0MHz**

**Model: TB0316A**

**Part No: MA08564**

**REV. NO.: 1**

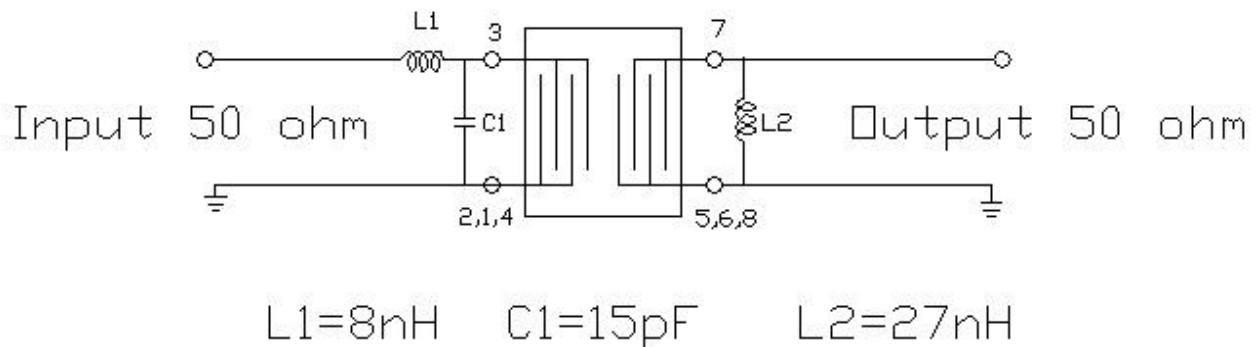
**A. MAXIMUM RATING:**

1. Input Power Level: 10 dBm
2. Storage Temperature: -40°C to 85°C
3. Operating Temperature: -40°C to 85°C

**B. ELECTRICAL CHARACTERISTICS:**

Item	Unit	Min.	Typ.	Max.	Note
Center frequency, <b>F<sub>c</sub></b>	MHz	-	374	-	-
Minimum Insertion Loss, <b>IL</b>	dB	-	11	12	-
1 dB Bandwidth	MHz	5	7.3	-	-
3 dB Bandwidth	MHz	-	9.5	11	-
Pass ripple (F <sub>c</sub> ± 2.5MHz)	dB		0.5	1	
Group delay ripple	nS		24	100	
Attenuation:(Reference level from Min IL)					
274MHz~354MHz	dB	40	45	-	-
354MHz~360MHz	dB	35	44		-
388MHz~394MHz	dB	35	39		-
394MHz~474MHz	dB	40	43	-	-

**C. MEASUREMENT CIRCUIT:**



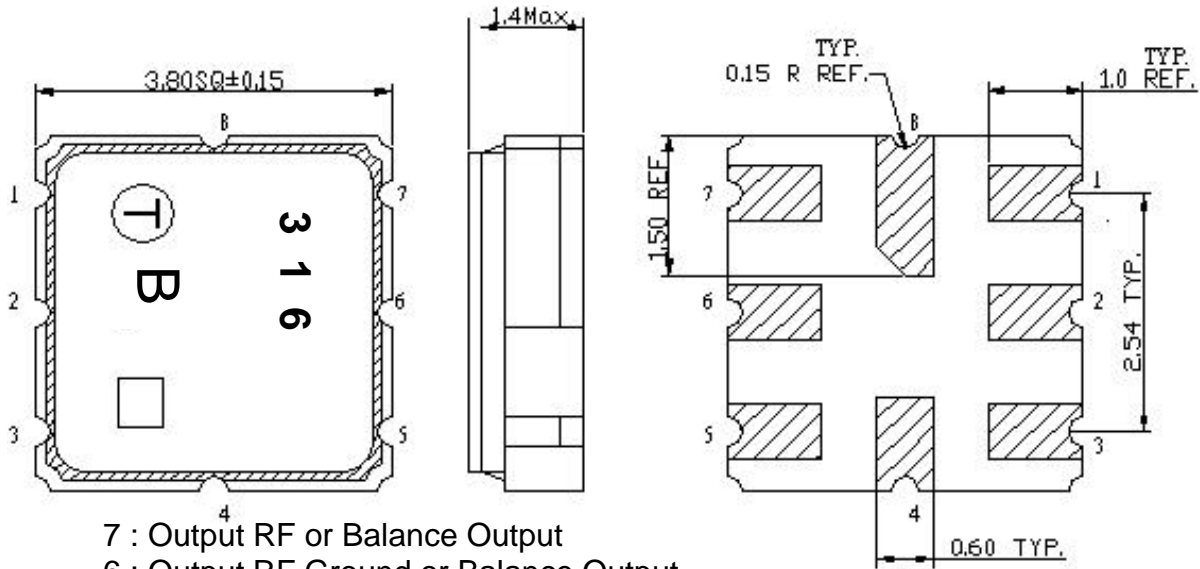
**SAW Filter 374.0MHz**

**Model: TB0316A**

Part No: **MA08564**

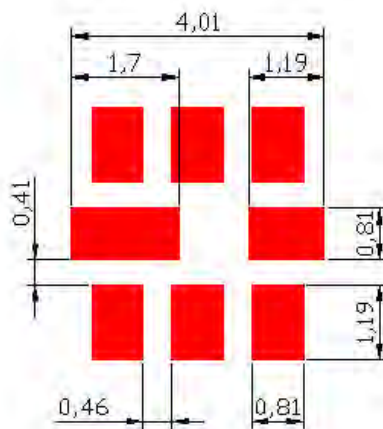
REV. NO.: 1

**D. OUTLINE DRAWING:**



- 7 : Output RF or Balance Output
  - 6 : Output RF Ground or Balance Output Return
  - 3 : Input RF or Balance Input
  - 2 : Input RF Ground or Balance Input Return
  - 1,4,5,8: Ground
- Unit: mm

**E. PCB FOOTPRINT:**



**SAW Filter 374.0MHz**

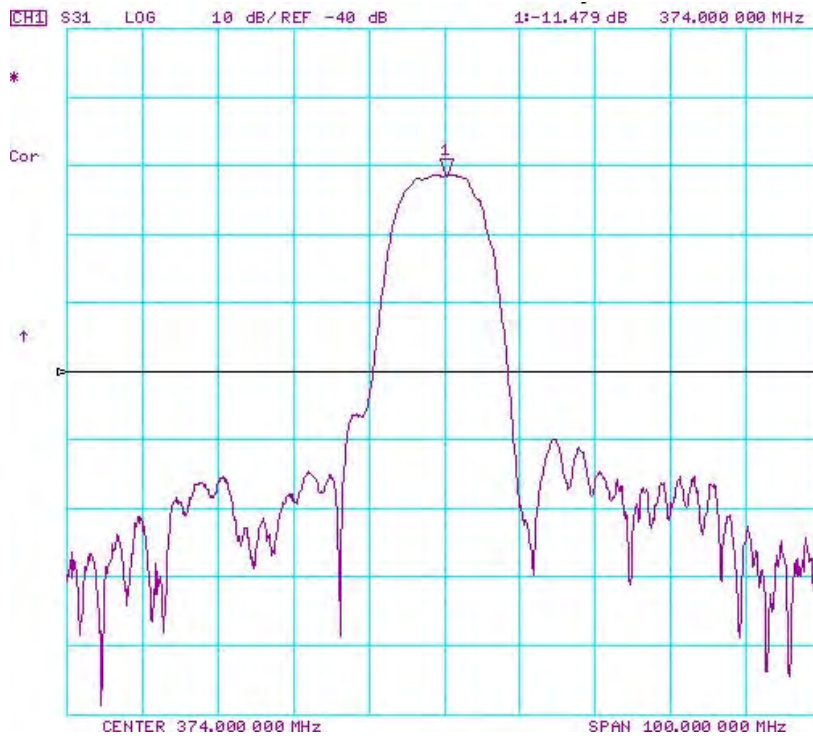
**Model: TB0316A**

Part No: **MA08564**

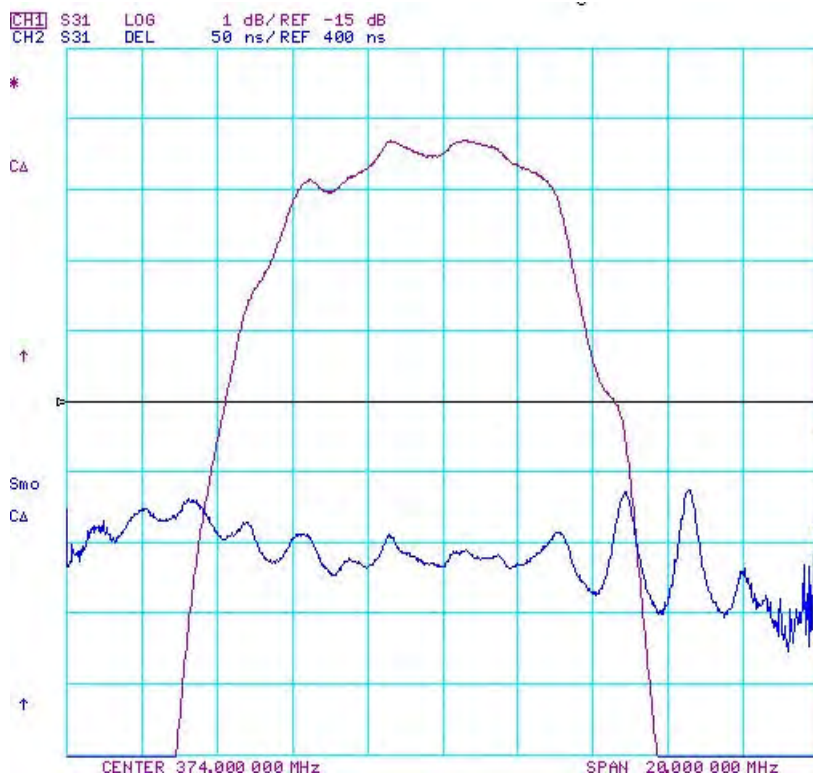
REV. NO.: 1

**F. TRANSFER FUNCTION:**

1. wide band :



2. Pass band :



**SAW Filter 374.0MHz**

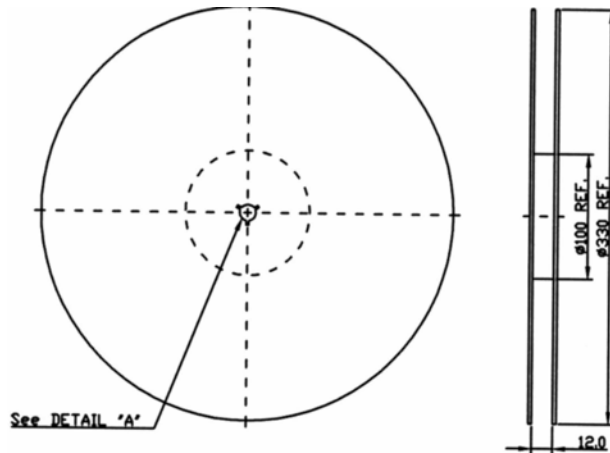
**Model: TB0316A**

**Part No: MA08564**

**REV. NO.: 1**

**G. PACKING:**

**1. REEL DIMENSION**



**2. TAPE DIMENSION**

