

SAW Filter 210.38MHz
Part No: MA08667

Model: TB0104A
Rev No: 3

A. MAXIMUM RATING:

1. Operating Temperature: -25°C ~ +85°C
2. Storage Temperature: -40°C ~ +85°C
3. Input Power Level: 10dBm

B. CHARACTERISTICS:

1. Ambient Temperature: 25°C
2. Terminating source impedance: $Z_S = 50\Omega$ (Single ended)
3. Terminating load impedance: $Z_L = 500\Omega$ (Balanced) or 50Ω (Single ended)

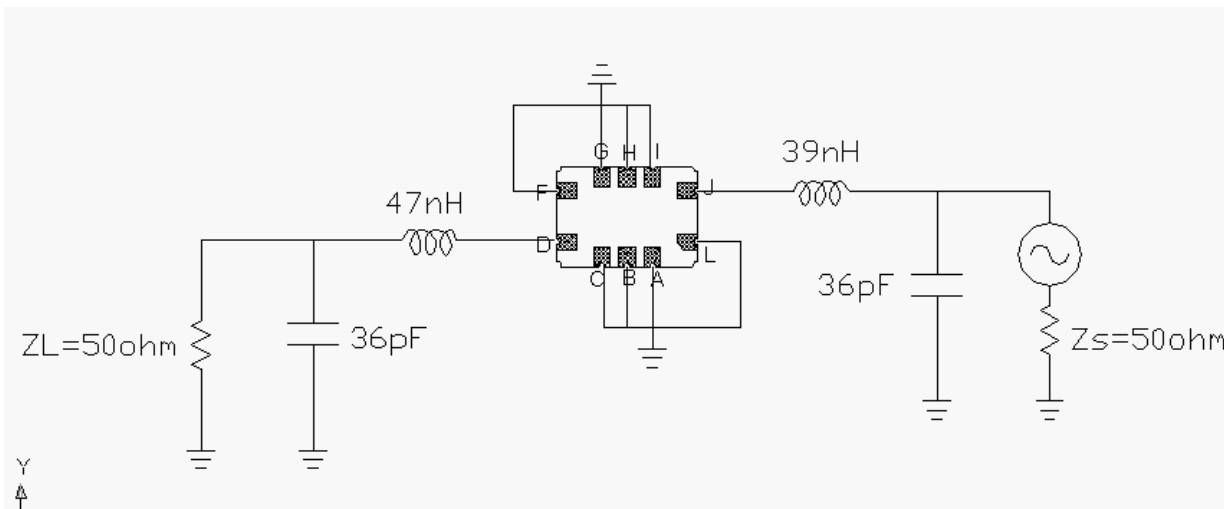
Characteristics	Value			Note
	Min.	Typ.	Max.	
Center Frequency Fc MHz	-	210.38	-	-
Insertion Loss at Fc dB	-	8.2	11.0	-
Passband Ripple (Fc \pm 300kHz) dB	-	0.4	1.3	-
5dB Bandwidth MHz	± 0.63	± 0.82	-	-
34dB Bandwidth MHz	-	± 1.18	± 1.25	-
36dB Bandwidth MHz	-	± 1.20	± 1.55	-
Phase Linearity (Fc \pm 630kHz) rms deg	-	2.60	3.75	-
Absolute Delay μ S	-	716	-	-
Temperature Coefficient ppm/K ²	-	-0.036	-	-
Attenuation: (Reference level from Fc)				
Fc ± 1.25 MHz dB	35	48		
140MHz ~ 206MHz dB	38	45		
214.76MHz ~ 280MHz dB	38	48		

SAW Filter 210.38MHz
Part No: MA08667

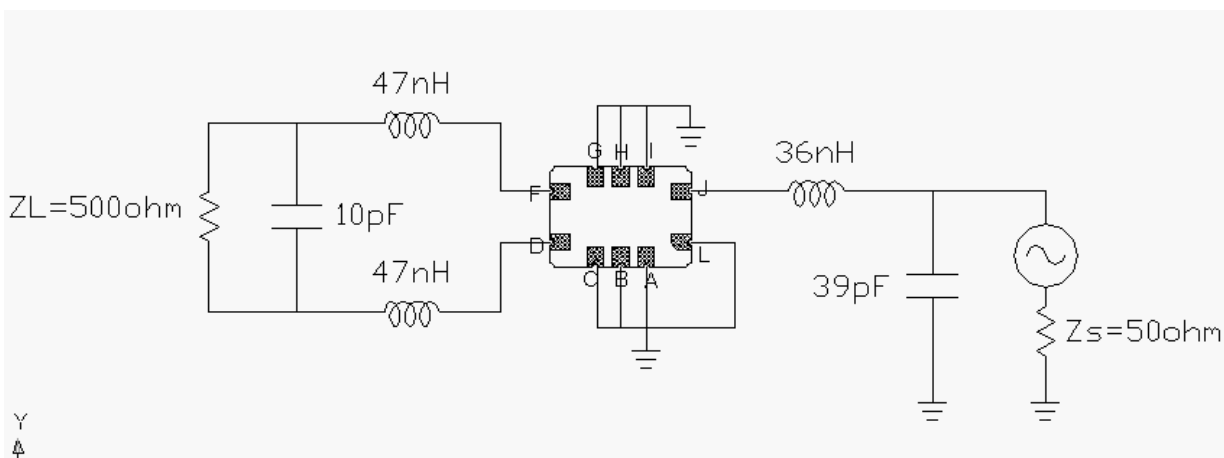
Model: TB0104A
Rev No: 3

C. MEASUREMENT CIRCUIT:

1. Single ended input 50ohm to Single ended Output 50ohm



2. Single ended input 500ohm to Balanced Output 500ohm



SAW Filter 210.38MHz
Part No: MA08667

Model: TB0104A
Rev No: 3

D. FREQUENCY CHARACTERISTICS:

1. S21 Response

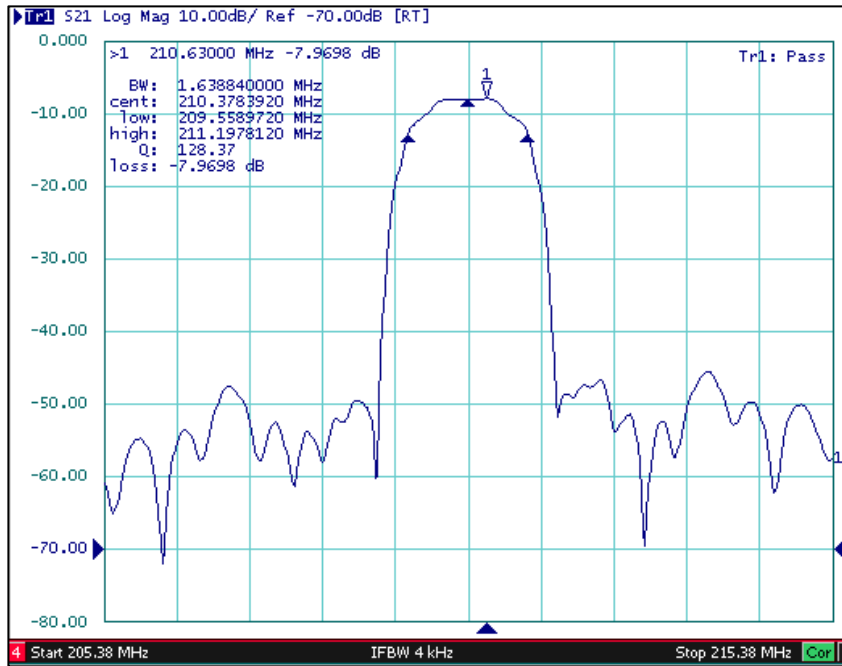


Fig. 1. Horizontal: 1MHz/Div, Vertical: 10dB/Div

2. Pass band Ripple

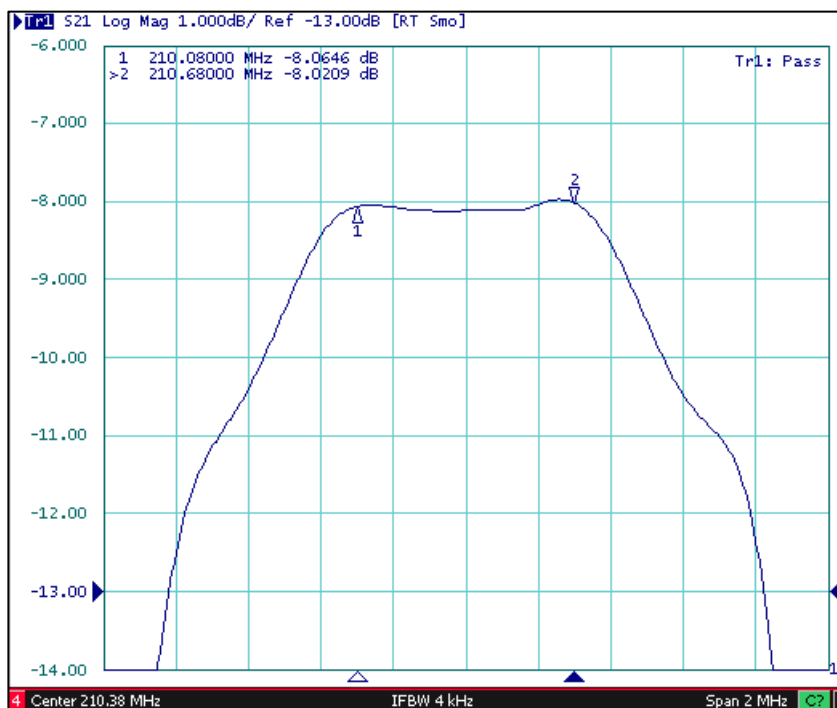


Fig. 2. Horizontal: 0.2MHz/Div, Vertical: 1dB/Div

SAW Filter 210.38MHz
Part No: MA08667

Model: TB0104A
Rev No: 3

3. Group Delay Ripple

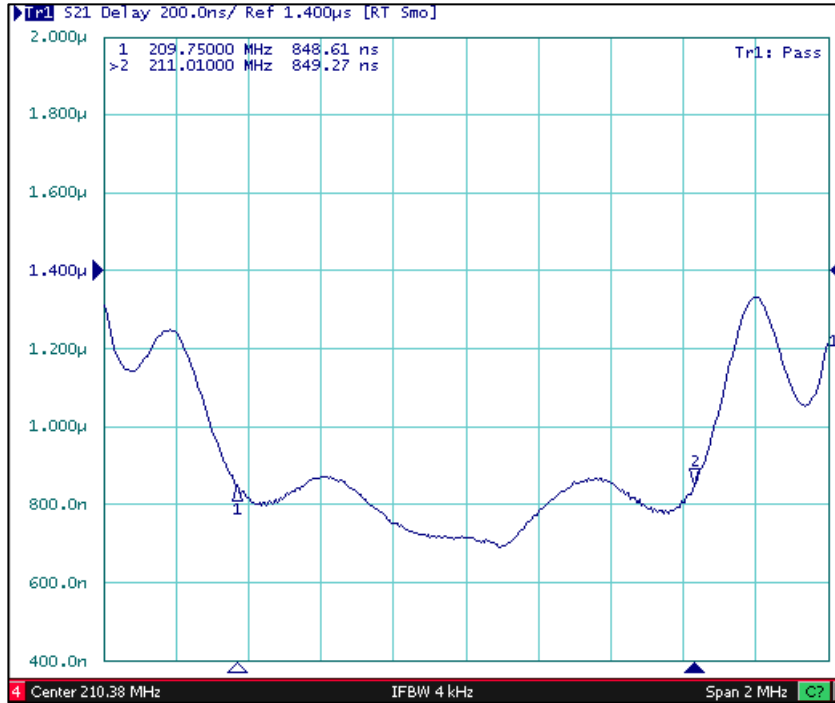
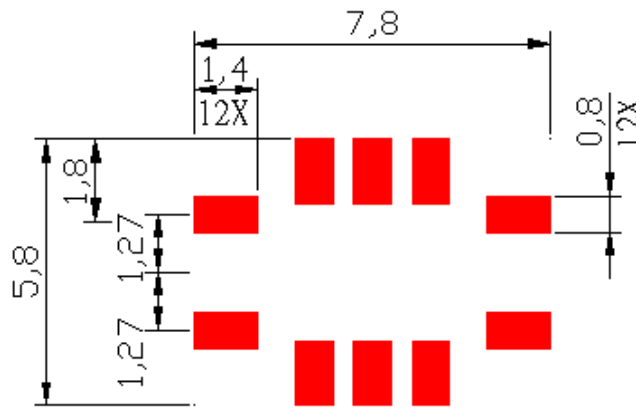


Fig. 3. Horizontal: 0.2MHz/Div, Vertical: 200nS/Div

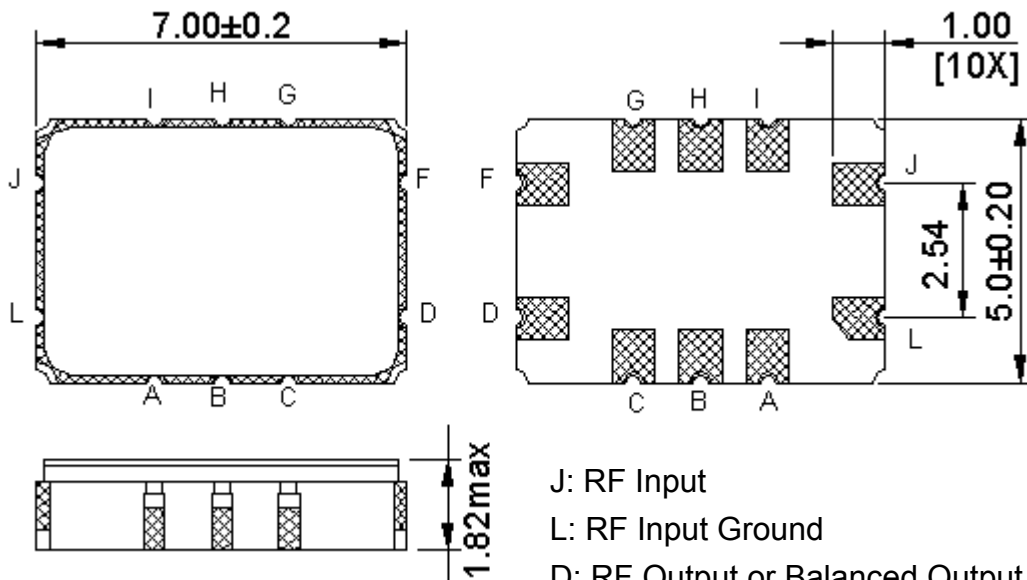
SAW Filter 210.38MHz
Part No: MA08667

Model: TB0104A
Rev No: 3

E. PCB FOOTPRINT:



F. OUTLINE DRAWING:



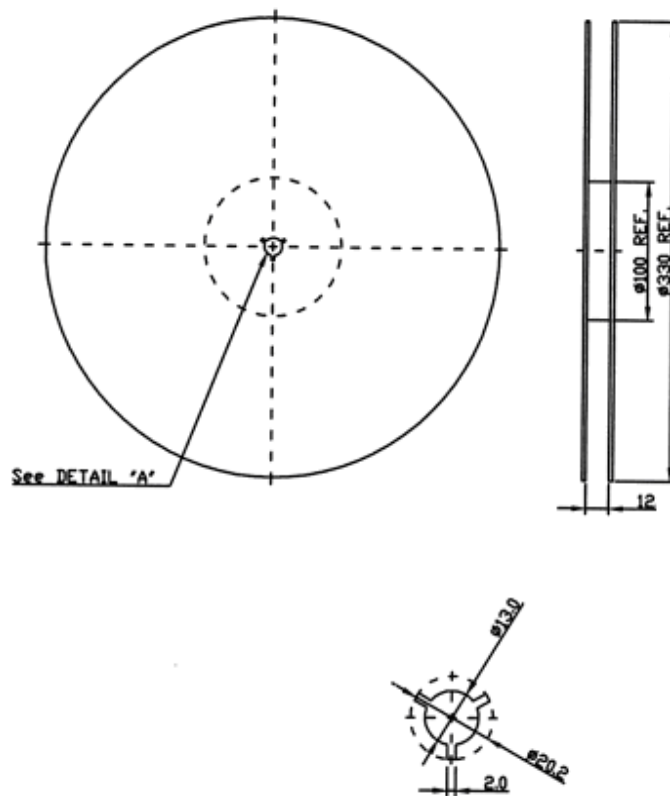
- J: RF Input
- L: RF Input Ground
- D: RF Output or Balanced Output +
- F: RF Output Ground or Balanced Output -
- A, B, C, G, H, I: To be Ground

SAW Filter 210.38MHz
Part No: MA08667

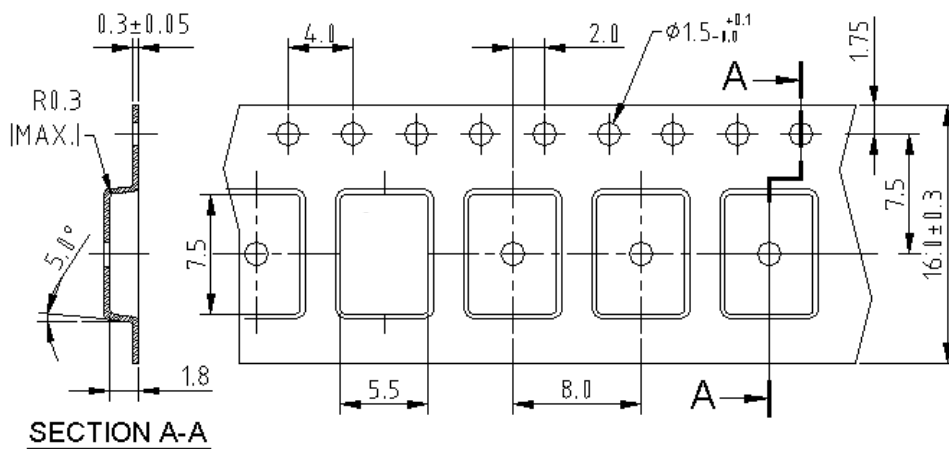
Model: TB0104A
Rev No: 3

G. PACKING:

1. REEL DIMENSION



2. TAPE DIMENSION



Direction of feed



SAW Filter 210.38MHz
Part No: MA08667

Model: TB0104A
Rev No: 3

H. RECOMMENDED REFLOW PROFILE:

