
SAW Filter 1960MHz
Part No: MA08686

Model: TA0175H
Rev No: 2

A1. MAXIMUM RATING:

1. Input Power Level: 10dBm
2. DC voltage: 3V
3. Operating Temperature: 25°C
4. Storage Temperature: -40°C to +85°C

B1. ELECTRICAL CHARACTERISTICS:

Item	Min.	Typ.	Max.
Center frequency Fc (MHz)	-	1960	-
Insertion loss (1930 ~ 1990MHz) IL (dB)	-	2.35	4
Amplitude ripple (1930 ~ 1990MHz) (dB)	-	1.4	2.4
Attenuation (Reference level from 0dB)			
DC ~ 1850MHz (dB)	20	32	-
1850 ~ 1910MHz (dB)	10	21	-
2010 ~ 2040MHz (dB)	4.5	10	-
2040 ~ 2070MHz (dB)	20	50	-
2070 ~ 5000MHz (dB)	22	29	-
Input/Output VSWR (1930 ~ 1990MHz)	-	1.7	2.05
Source impedance Z _S (Ω)	-	50	-
Load impedance Z _L (Ω)	-	50	-

SAW Filter 1960MHz
Part No: MA08686

Model: TA0175H
Rev No: 2

A2. MAXIMUM RATING:

1. Input Power Level: 10dBm
2. DC voltage: 3V
3. Operating Temperature: -30°C to +80°C
4. Storage Temperature: -40°C to +85°C

B2. ELECTRICAL CHARACTERISTICS:

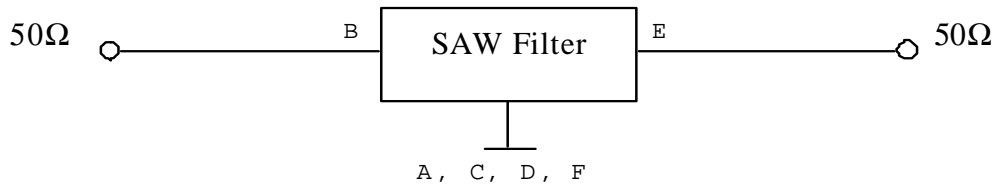
Item	Min.	Typ.	Max.
Center frequency Fc (MHz)	-	1960	-
Insertion loss (1930 ~ 1990MHz) IL (dB)	-	2.35	4
Amplitude ripple (1930 ~ 1990MHz) (dB)	-	1.4	2.4
Attenuation (Reference level from 0dB)			
DC ~ 1850MHz (dB)	20	32	-
1850 ~ 1910MHz (dB)	10	21	-
2010 ~ 2040MHz (dB)	4.5	10	-
2040 ~ 2070MHz (dB)	20	50	-
2070 ~ 5000MHz (dB)	22	29	-
Input/Output VSWR (1930 ~ 1990MHz)	-	1.7	2.2
Source impedance Z _S (Ω)	-	50	-
Load impedance Z _L (Ω)	-	50	-

SAW Filter 1960MHz
Part No: MA08686

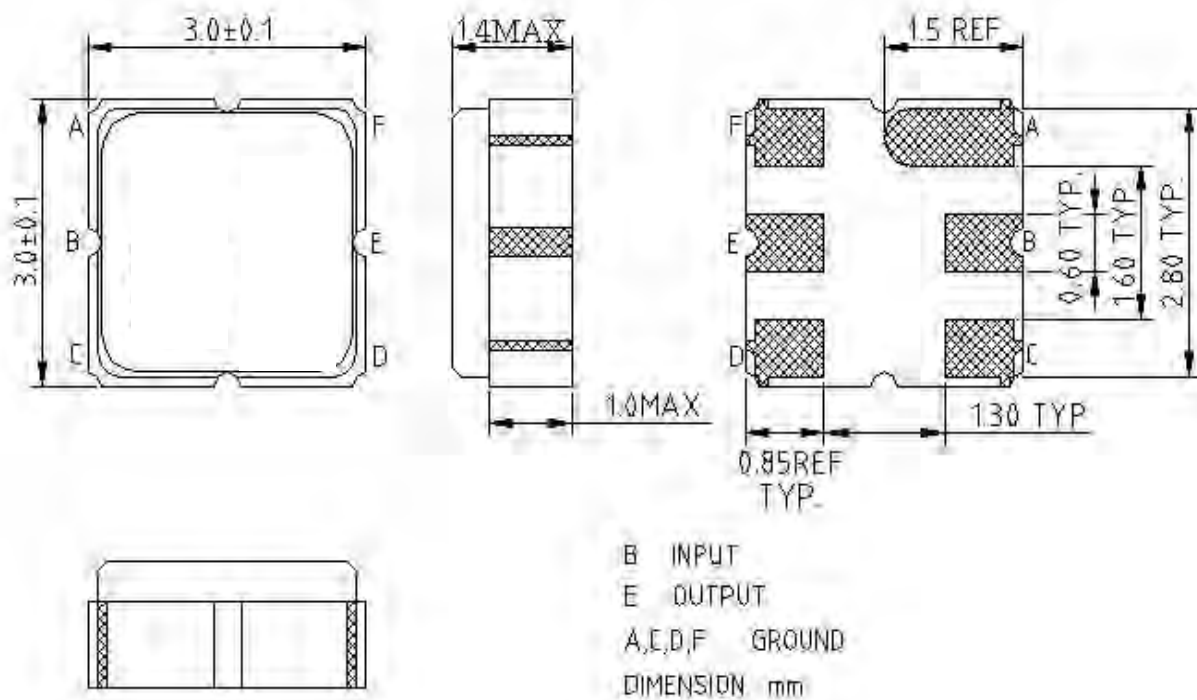
Model: TA0175H
Rev No: 2

C. MEASUREMENT CIRCUIT:

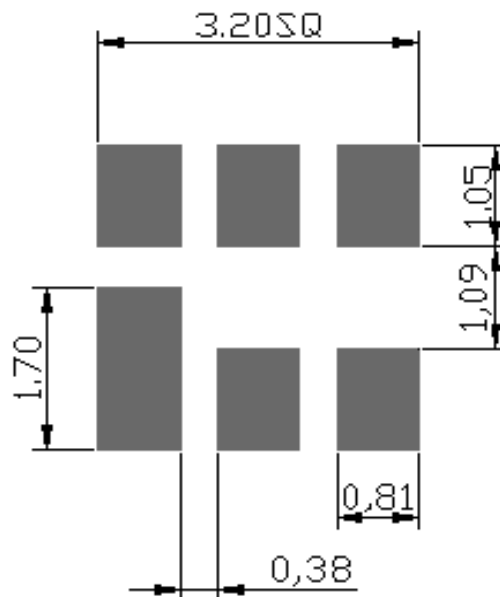
HP Network analyzer



D. OUTLINE DRAWING:



E. PCB FOOTPRINT:

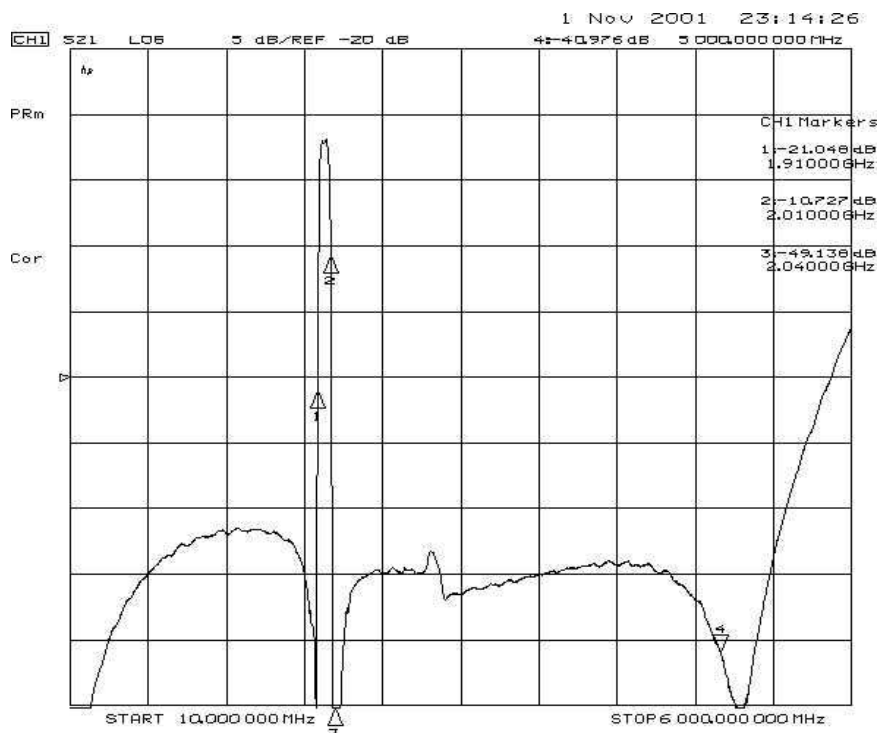
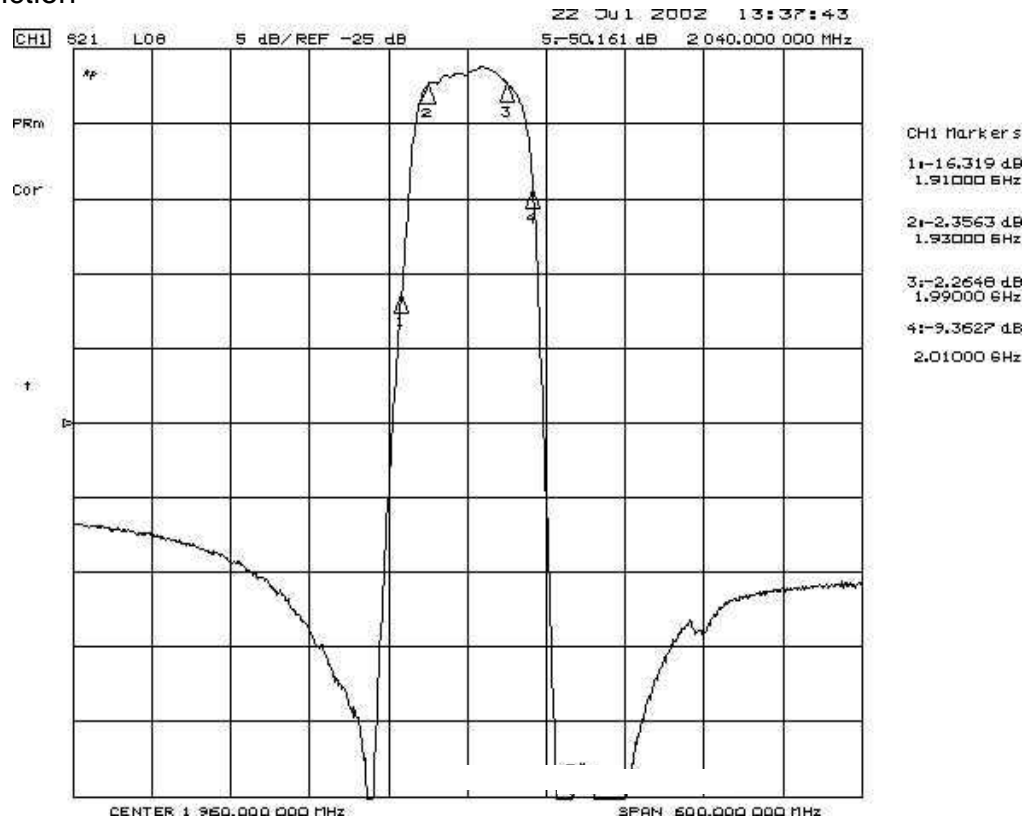


SAW Filter 1960MHz
Part No: MA08686

Model: TA0175H
Rev No: 2

F. FREQUENCY CHARACTERISTICS:

Transfer function

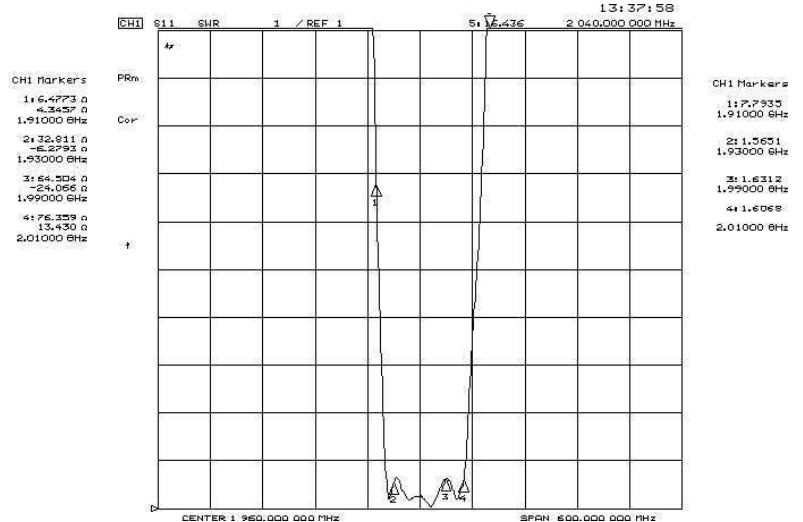
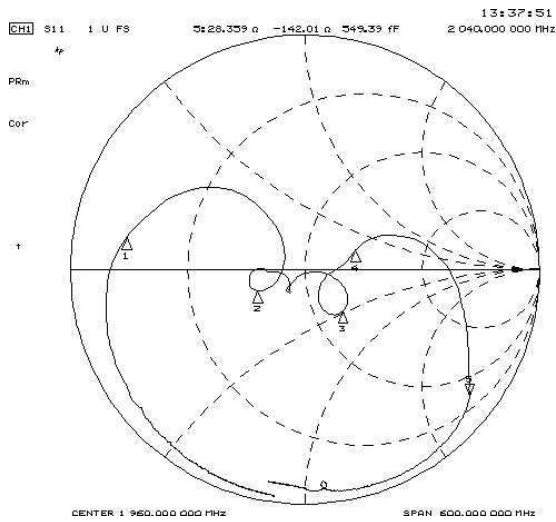


SAW Filter 1960MHz
Part No: MA08686

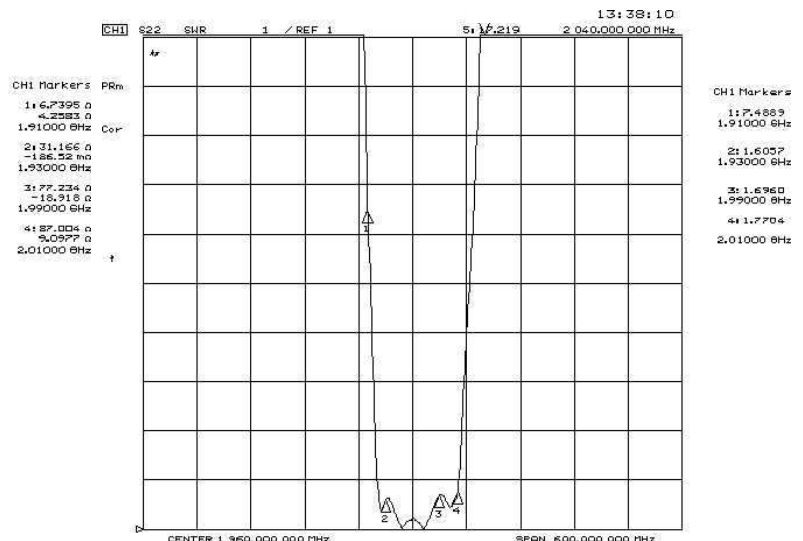
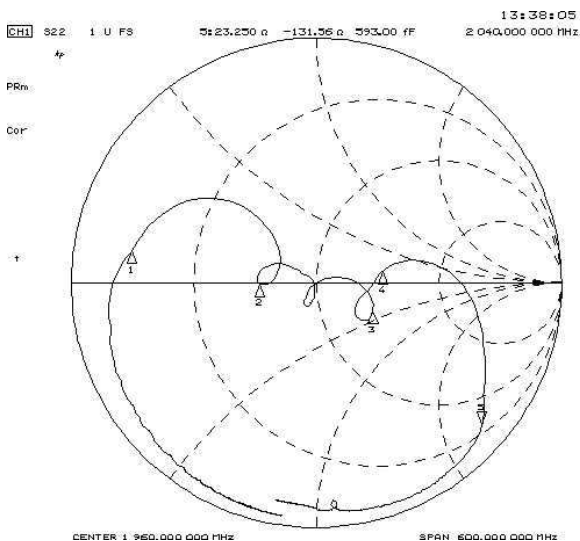
Model: TA0175H
Rev No: 2

Reflections Functions

S11



S22

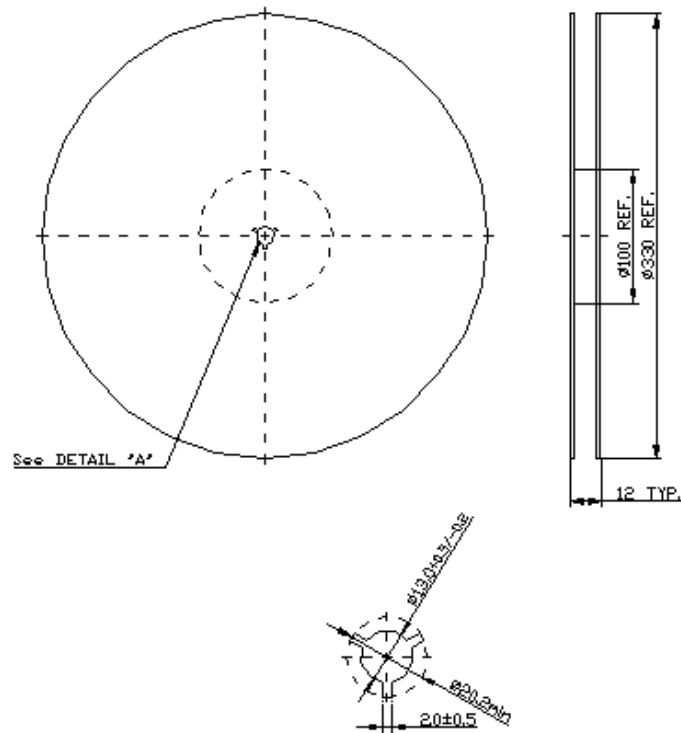


SAW Filter 1960MHz
Part No: MA08686

Model: TA0175H
Rev No: 2

G. PACKING:

1. REEL DIMENSION



2. TAPE DIMENSION

