

314.970MHz SAW Resonator

Model: TC315GD-N

Part No: MA08847

REV NO.: 2

A. FEATURES:

1. One-Port Resonator.

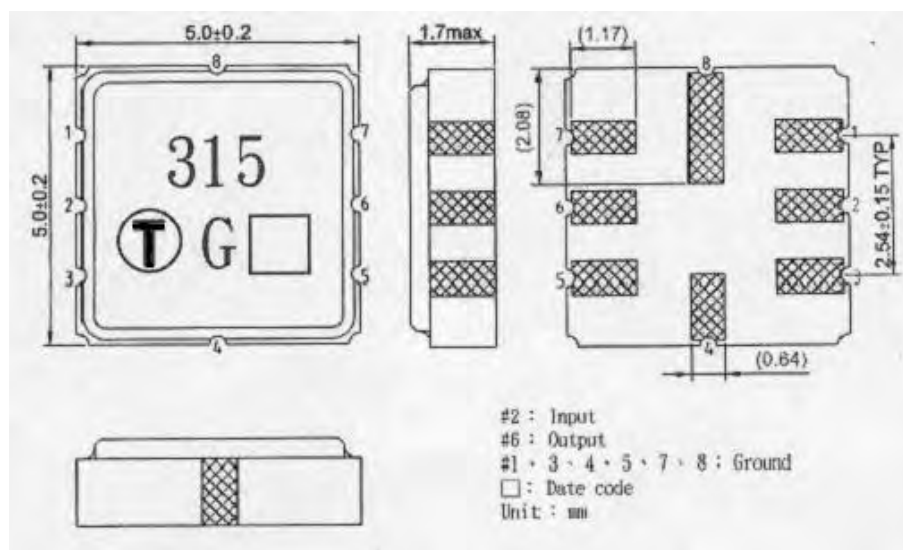
B. MAXIMUM RATING:

1. Power Dissipation : 0 dBm
2. DC voltage : 12 V
3. Storage Temperature : -40°C to +85°C
4. Operating Temperature : -20°C to +85°C
5. Turnover Temperature : 35°C Typ
6. Frequency Temperature Coefficient : 0.032 ppm/°C²

C. ELECTRICAL CHARACTERISTICS:

Characteristic	Units	Minimum	Typical	Maximum
Center frequency Fr	MHz	314.97	-	315.03
Insertion Loss IL	dB	-	1.6	2.5
Equivalent Circuit Elements				
Parallel Capacitance Co	pF	3.5	3.65	4.5
Motional Resistance R1	Ohm	-	20.67	29
Motional Inductance L1	μH	-	100.7	-
Motional Capacitance C1	fF	-	2.54	-

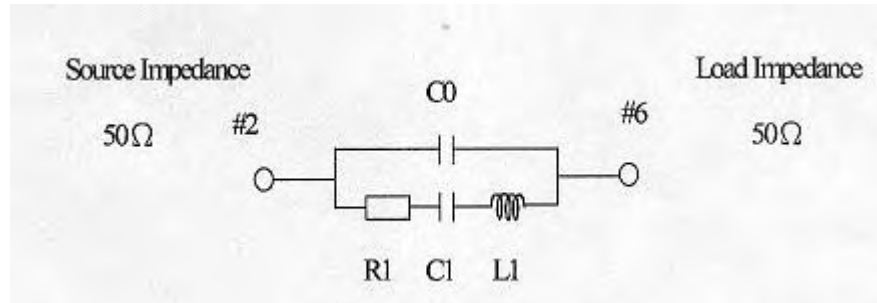
D. OUTLINE DRAWING:



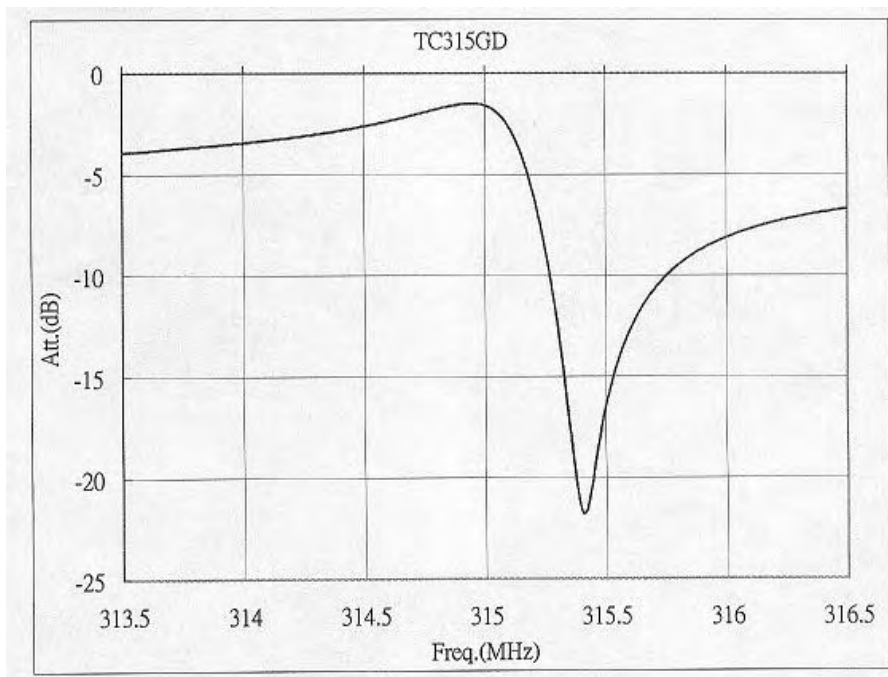
314.970MHz SAW Resonator
 Part No: **MA08847**

Model: TC315GD-N
 REV NO.: 2

E. EQUIVALENT CIRCUIT:



F. FREQUENCY CHARACTERISTICS:



G. TEST CIRCUIT:

