

2345.0 MHz SAW Filter

Model: TA0515A

Part No: MA08932

REV NO.: 1

A. MAXIMUM RATING:

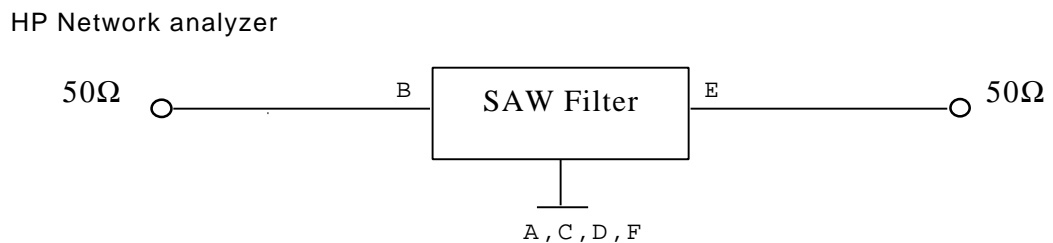
RoHS Compliant
 Lead free
 Lead-free soldering

1. Input Power Level: 10 dBm
2. DC voltage: 3 V
3. Operating Temperature: -40°C to +85°C
4. Storage Temperature: -50°C to +95°C

B. ELECTRICAL CHARACTERISTICS:

Item	Min.	Typ.	Max.
Center frequency Fc (dB)	-	2345	-
Insertion loss (2331.5~2358.5 MHz) IL (dB)	-	2.3	4.0
Amplitude ripple (2331.5~2358.5 MHz) (dB)	-	0.9	2.0
Group delay ripple (2331.5~2358.5 MHz) (ns)	-	5	50
Attenuation (Reference level from 0 dB)			
D.C. ~ 2187 MHz (dB)	40	42.6	-
2239 MHz (dB)	27	43	-
2412 MHz (dB)	12	40	-
2438 MHz (dB)	17	59	-
2512 MHz (dB)	27	59	-
2538 MHz (dB)	32	62	-
2700 ~ 3500 MHz (dB)	30	39	-
VSWR (2331.5~2358.5 MHz)	-	1.4	2.5
Source impedance Zs (Ω)	-	50	-
Load impedance ZL (Ω)	-	50	-

C. MEASUREMENT CIRCUIT:



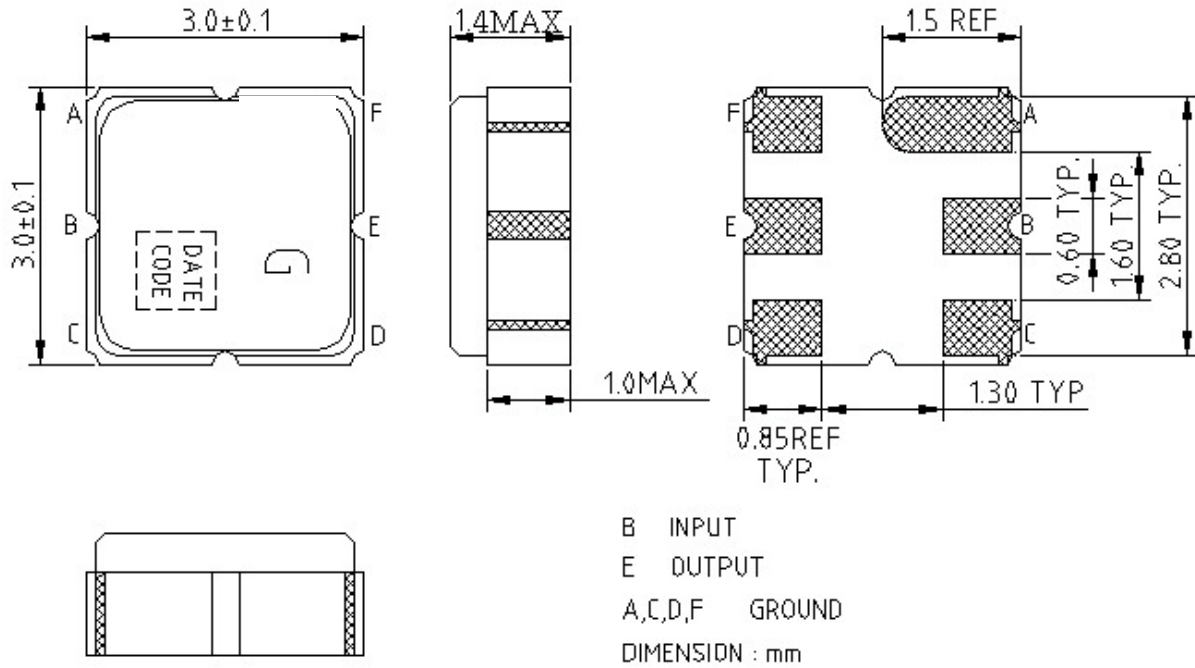
2345.0 MHz SAW Filter

Model: TA0515A

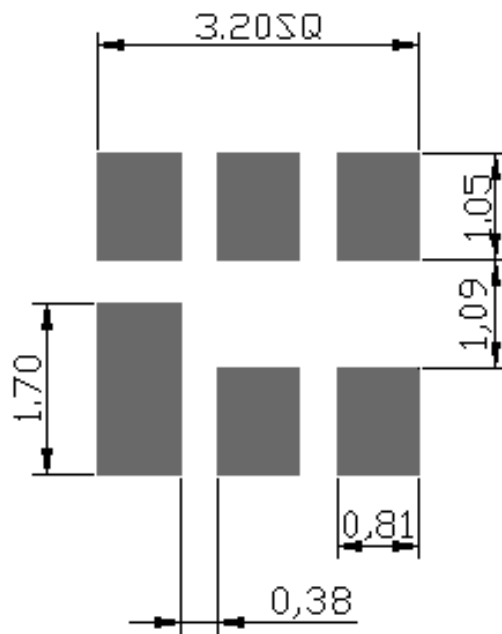
Part No: MA08932

REV NO.: 1

D. OUTLINE DRAWING:



E. PCB Footprint:

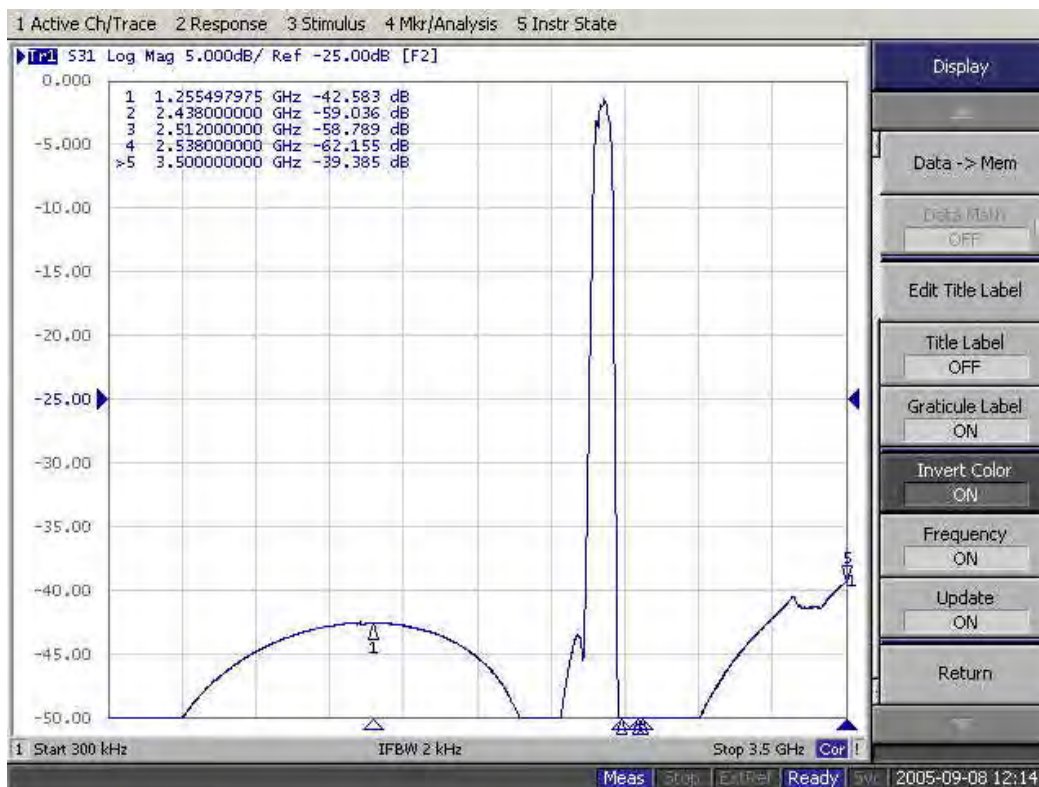
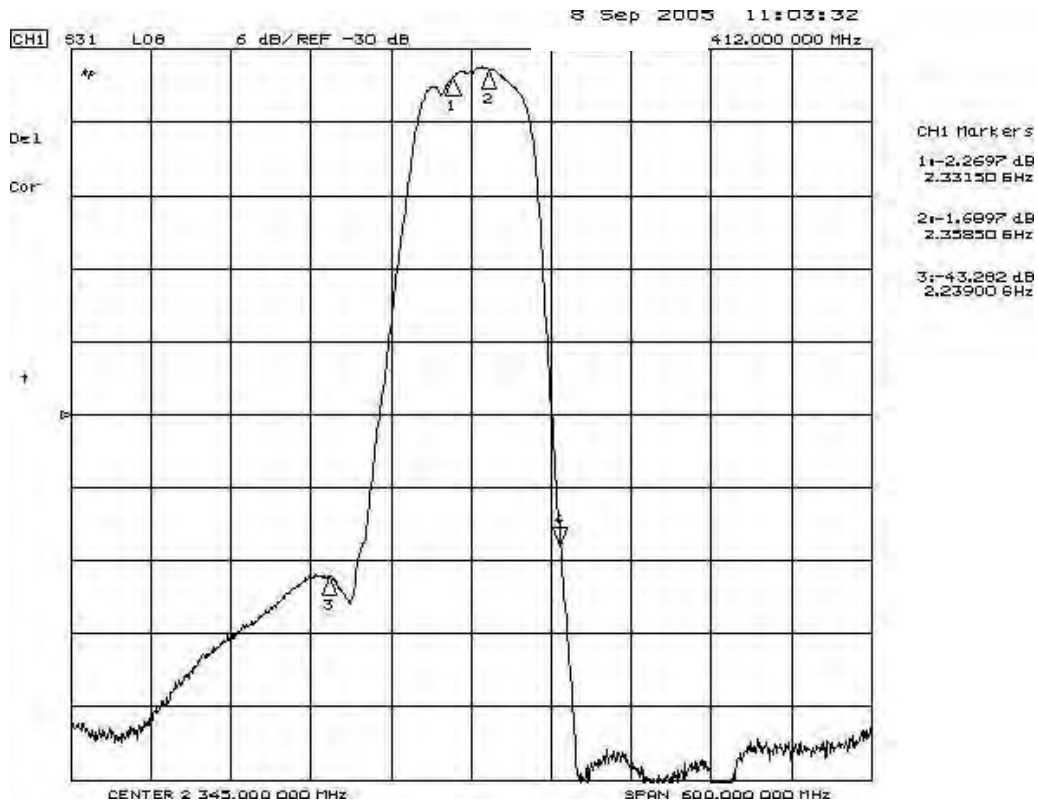


2345.0 MHz SAW Filter
Part No: MA08932

Model: TA0515A
REV NO.: 1

F. FREQUENCY CHARACTERISTICS:

Transfer function

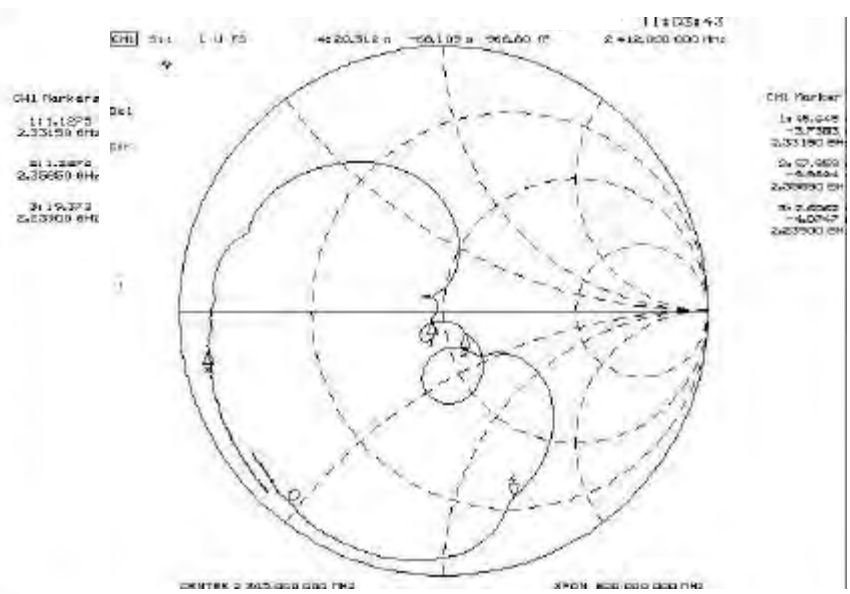
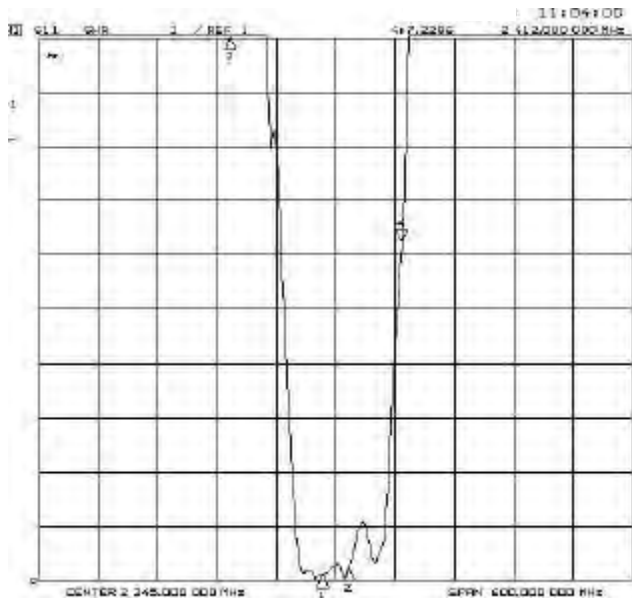


2345.0 MHz SAW Filter
Part No: MA08932

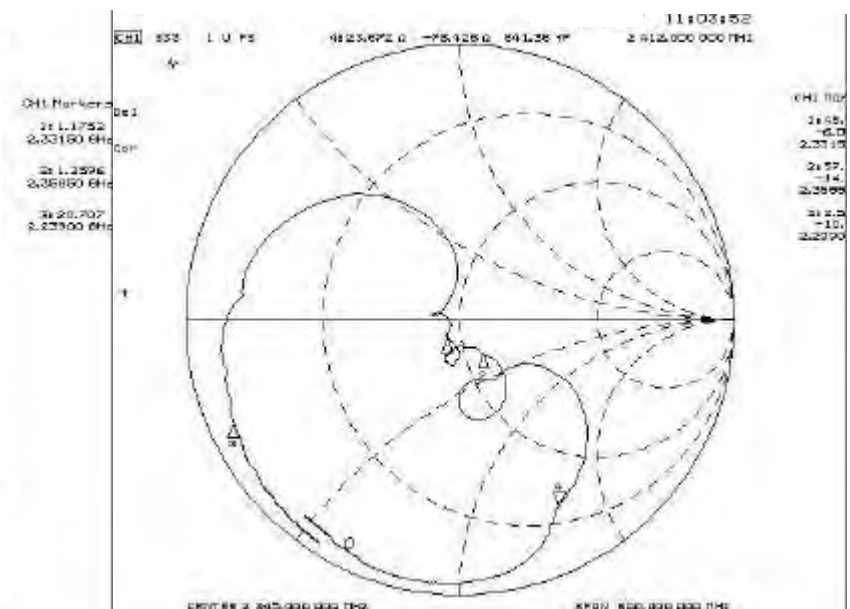
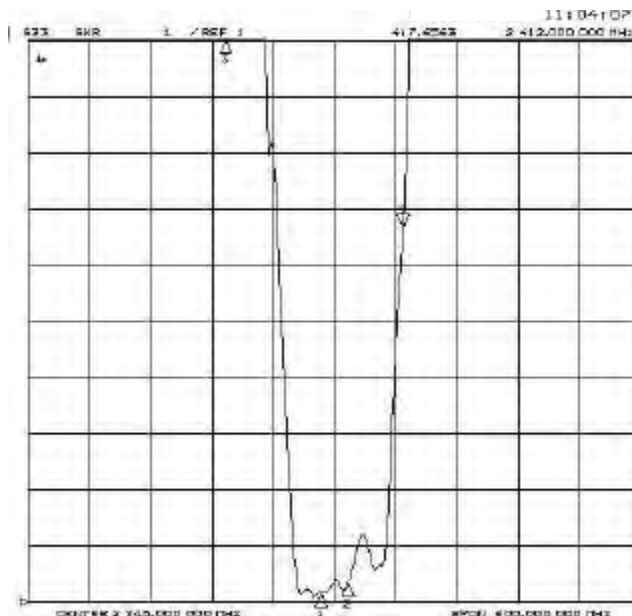
Model: TA0515A
REV NO.: 1

Reflections Functions :

S11 VSWR



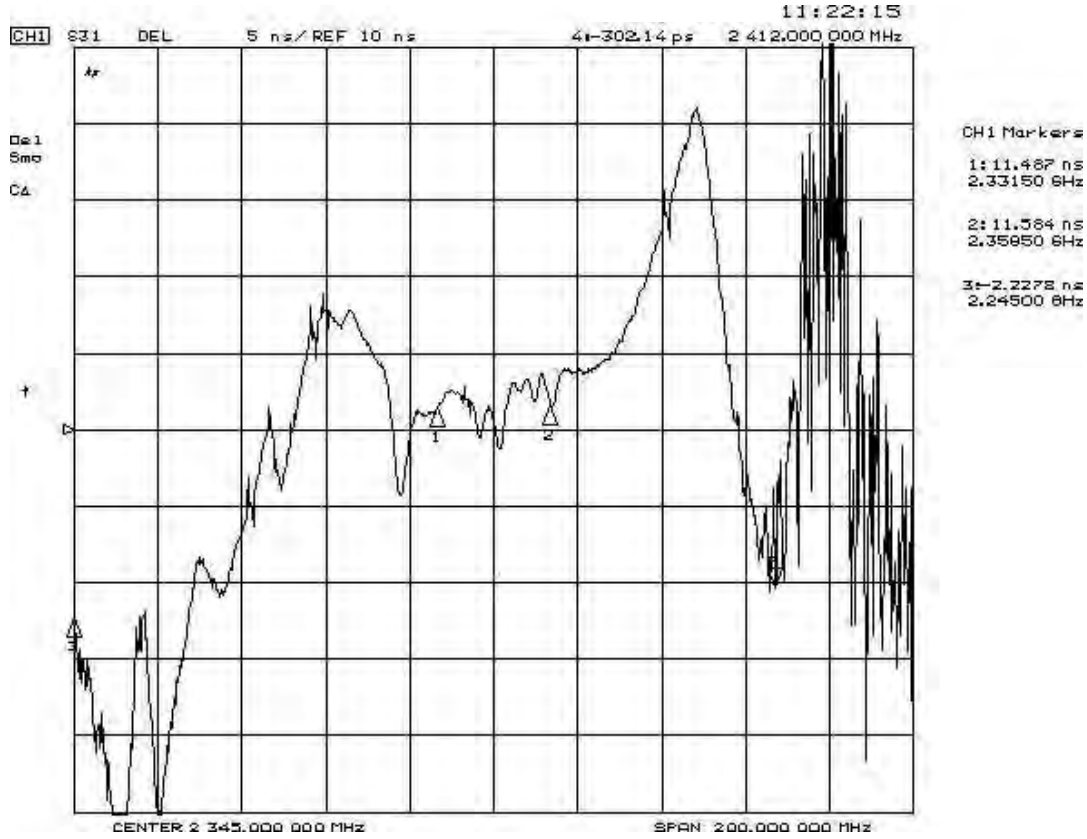
S22 VSWR



2345.0 MHz SAW Filter
Part No: MA08932

Model: TA0515A
REV NO.: 1

Group Delay :



2345.0 MHz SAW Filter

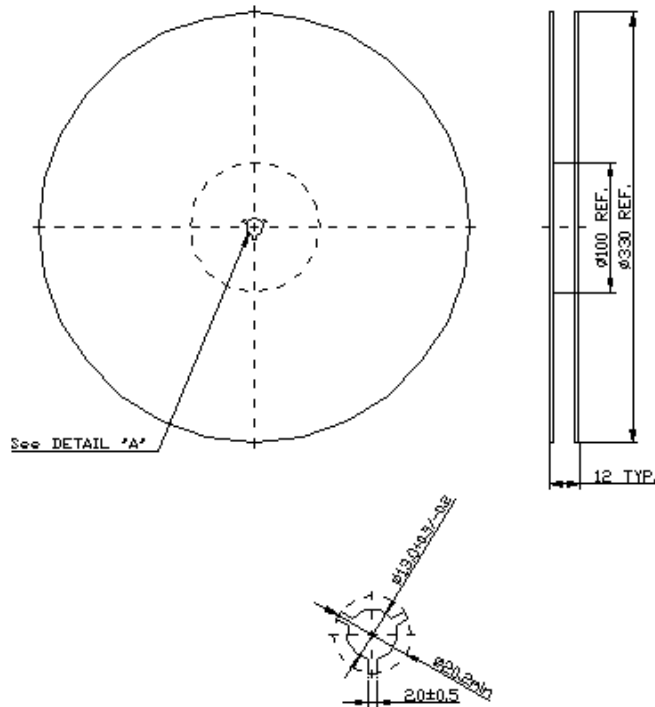
Model: TA0515A

Part No: MA08932

REV NO.: 1

G. PACKING:

1. REEL DIMENSION



2. TAPE DIMENSION

