

**SAW Filter 1785.0MHz**  
**Part No: MA08970**

**Model: TA0667A**  
**Rev. No: 1**

**A. MAXIMUM RATING:**

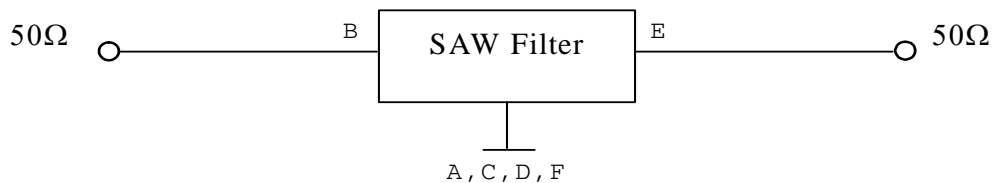
1. Input Power Level: 10dBm
2. DC Voltage: 3V
3. Operating Temperature: -30°C to +85°C
4. Storage Temperature: -40°C to +85°C

**B. ELECTRICAL CHARACTERISTICS:**

Item	Unit	Min.	Typ.	Max.	Note
Center Frequency Fc	MHz	-	1785	-	-
Insertion Loss (1755 ~ 1815MHz) IL	dB	-	2.7	4	-
Amplitude Ripple (variation over 3MHz)	dB	-	0.5	1.2	-
VSWR (1755 ~ 1785MHz)		-	1.8	2.4	
Group Delay Ripple (variation over 3MHz)	ns	-	2	30	
Attenuation (Reference level from 0dB)					
D.C. ~ 1685MHz	dB	28	31	-	-
1685 ~ 1720MHz	dB	20	42	-	-
1850 ~ 1885MHz	dB	20	53	-	-
1885 ~ 3000MHz	dB	30	37	-	-

**C. MEASUREMENT CIRCUIT:**

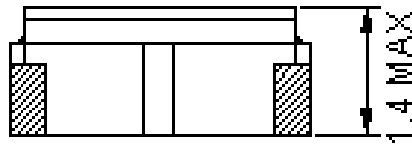
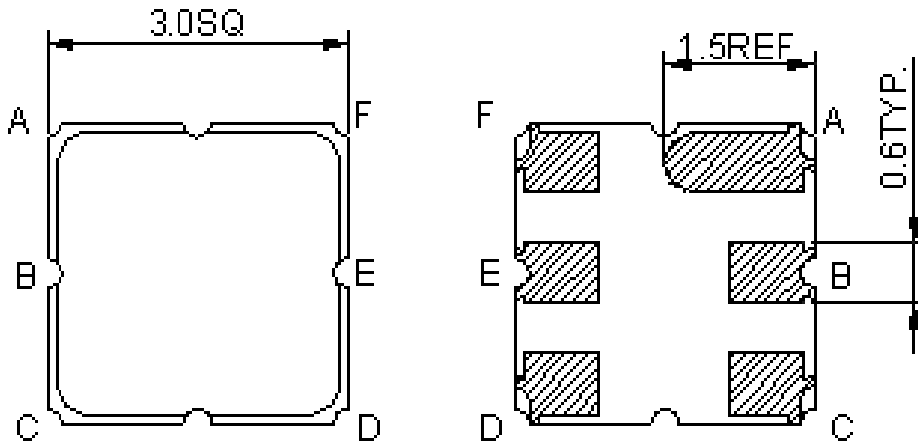
HP Network analyzer



**SAW Filter 1785.0MHz**  
**Part No: MA08970**

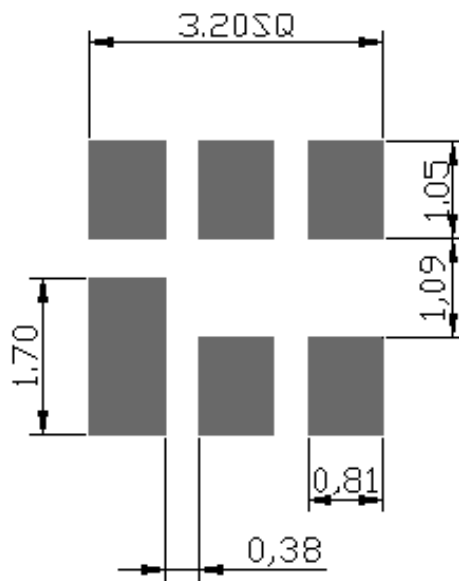
**Model: TA0667A**  
**Rev. No: 1**

**D. OUTLINE DRAWING:**



B: Input  
 E: Output  
 A, C, D, F: Ground  
 Unit: mm

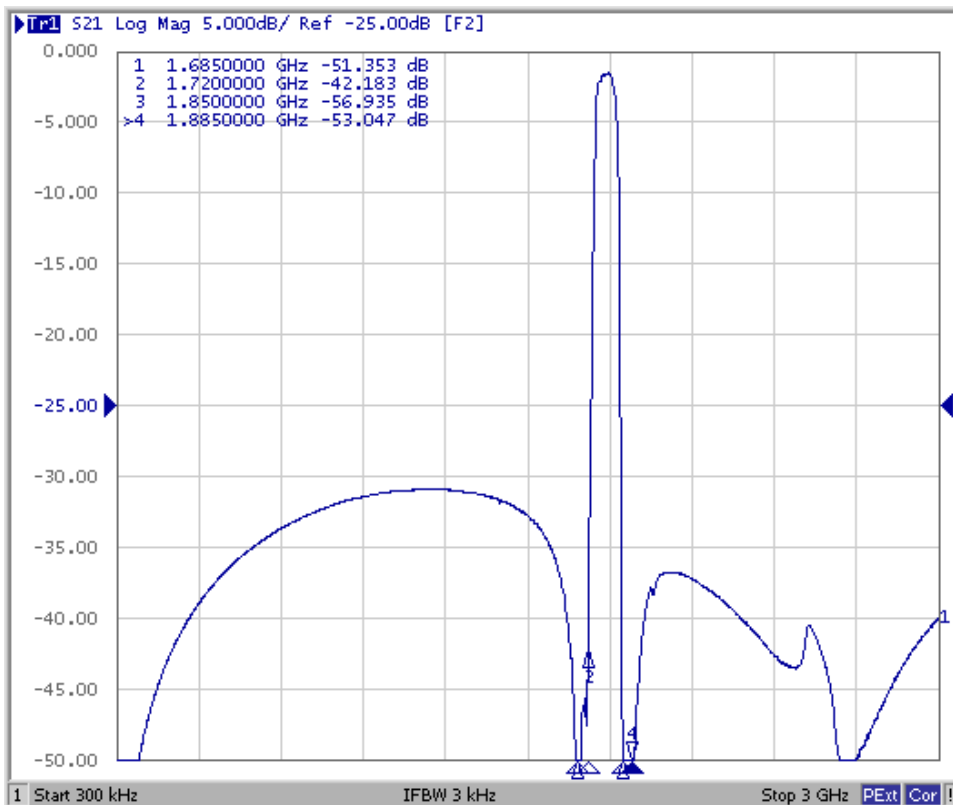
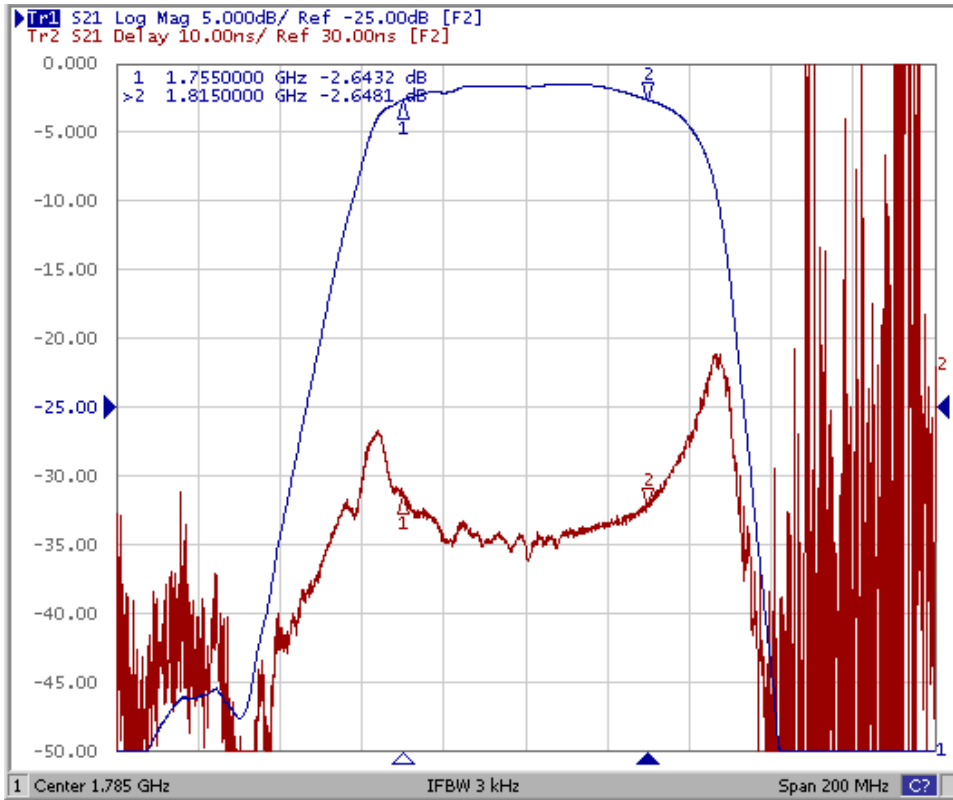
**E. PCB FOOTPRINT:**



**SAW Filter 1785.0MHz**  
**Part No: MA08970**

**Model: TA0667A**  
**Rev. No: 1**

**F. FREQUENCY CHARACTERISTICS:**

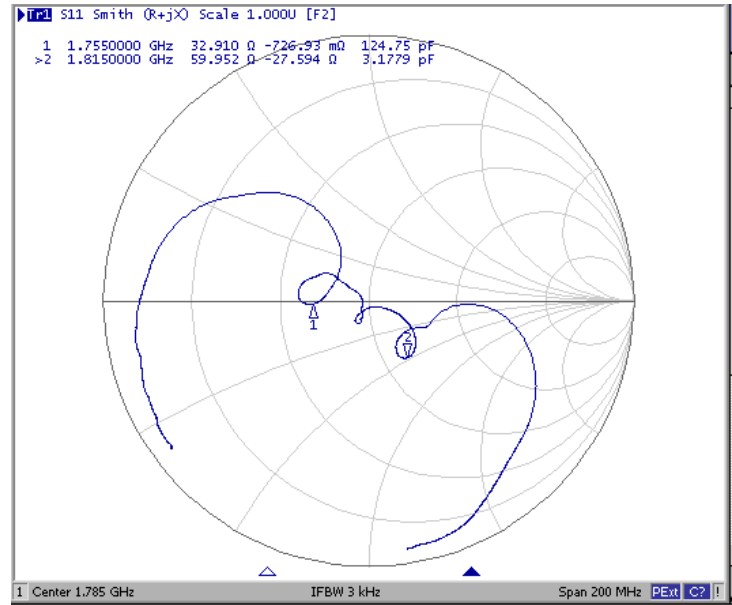
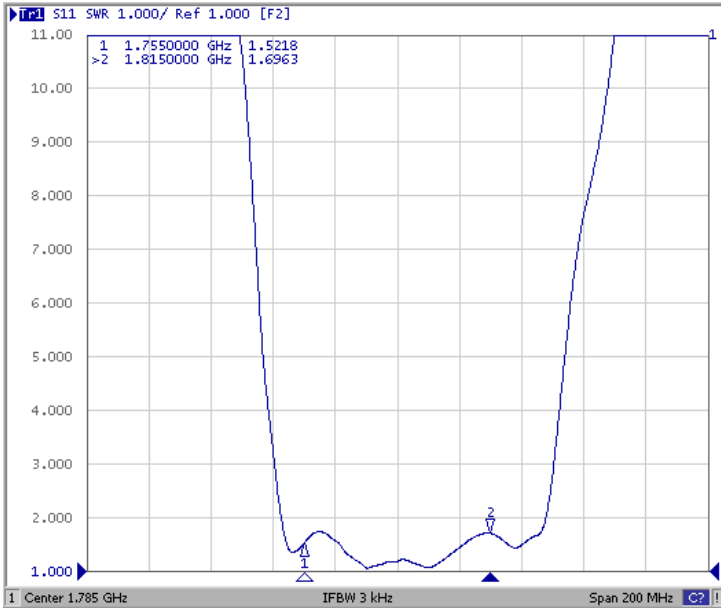


**SAW Filter 1785.0MHz**  
**Part No: MA08970**

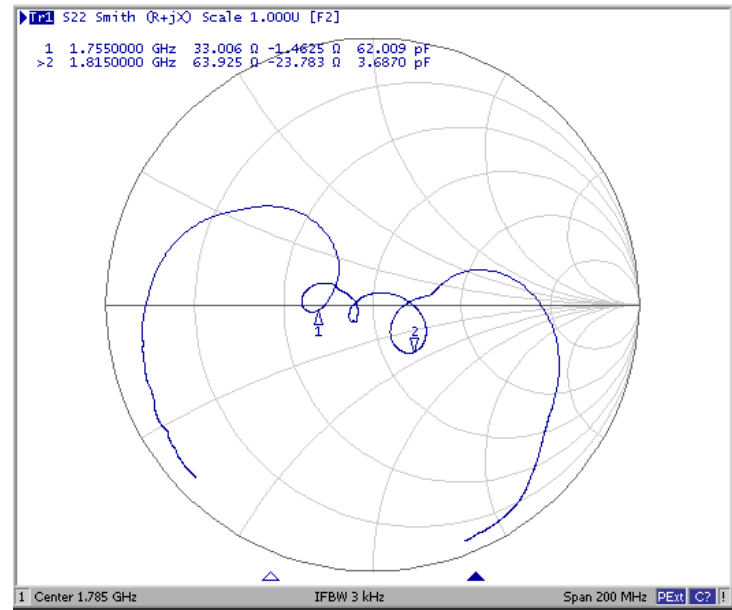
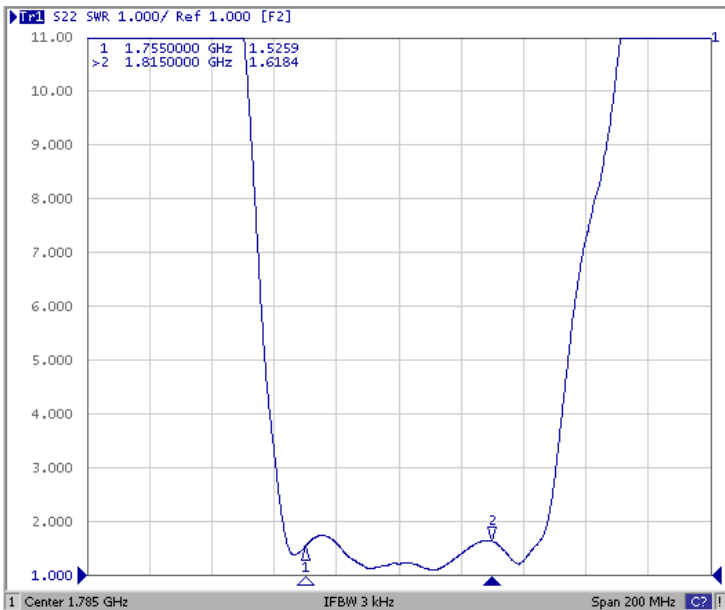
**Model: TA0667A**  
**Rev. No: 1**

Reflection Functions

S11



S22



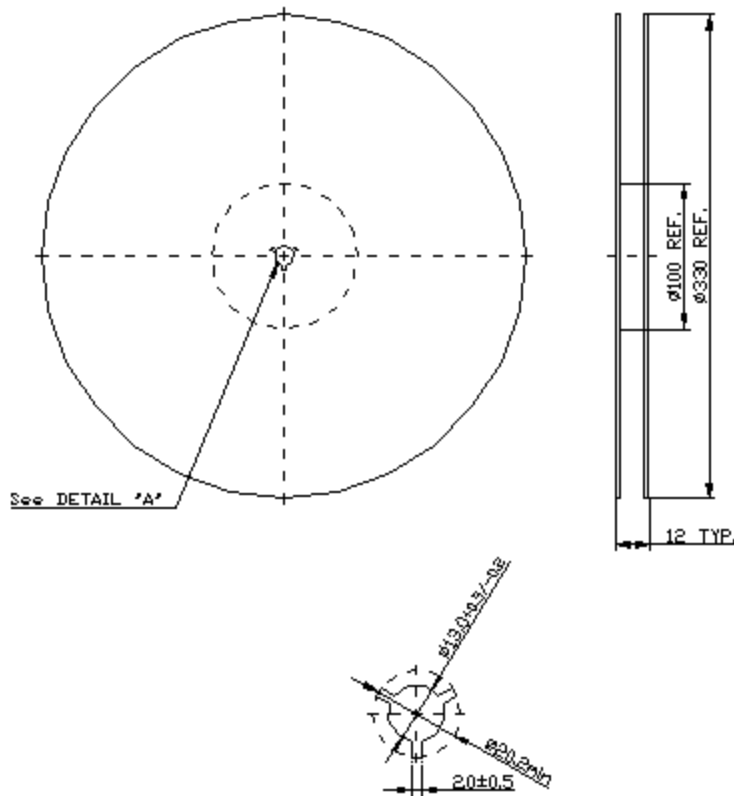
**SAW Filter 1785.0MHz**  
**Part No: MA08970**

**Model: TA0667A**  
**Rev. No: 1**

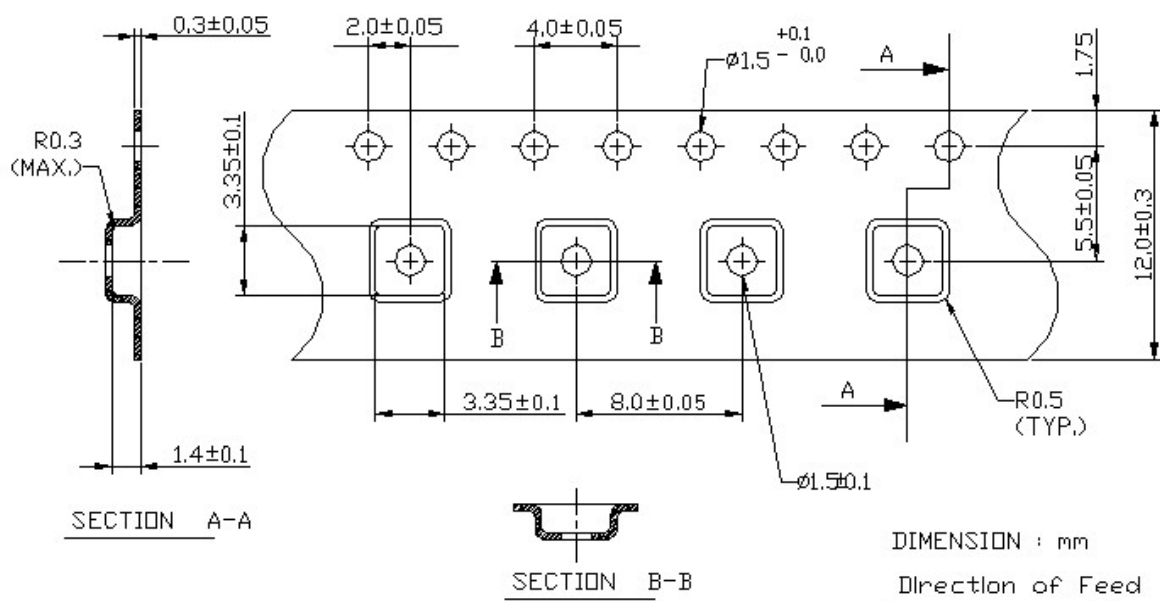
**G. PACKING:**

1. Reel Dimension

(Reel Count: 7" = 1000; 13" = 3000)



2. Tape Dimension



**SAW Filter 1785.0MHz**  
**Part No: MA08970**

**Model: TA0667A**  
**Rev. No: 1**

**H. RECOMMENDED REFLOW PROFILE:**

