

**SAW Filter 920.0MHz**

**Model: TA0666A\***

**Part No: MA08971**

**REV. NO.: 1**

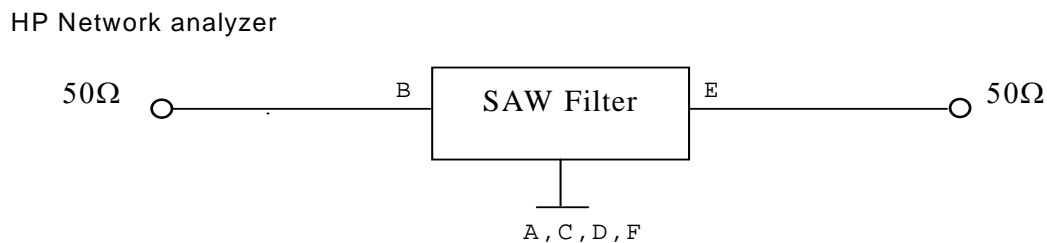
**A. MAXIMUM RATING:**

1. Input Power Level: 10 dBm
2. DC Voltage : 3V
3. Operating Temperature: -30°C to +85°C
4. Storage Temperature: -40°C to +85°C

**B. ELECTRICAL CHARACTERISTICS:**

Item	Unit	Min.	Typ.	Max.	Note
Center Frequency Fc	MHz	-	920	-	-
Insertion Loss (900 ~ 940 MHz) IL	dB	-	3.9	4.8	-
Amplitude Ripple (variation over 3MHz)	dB	-	0.3	1	-
VSWR (900 ~ 940 MHz)		-	1.7	2.5	-
Group Delay Ripple (variation over 3MHz)	ns	-	15	30	-
Attenuation (Reference level from 0 dB)					
D.C. ~ 850 MHz	dB	40	53	-	-
850 ~ 880 MHz	dB	20	48	-	-
960 ~ 1000 MHz	dB	20	29	-	-
1000 ~ 2000 MHz	dB	40	49	-	-

**C. MEASUREMENT CIRCUIT:**



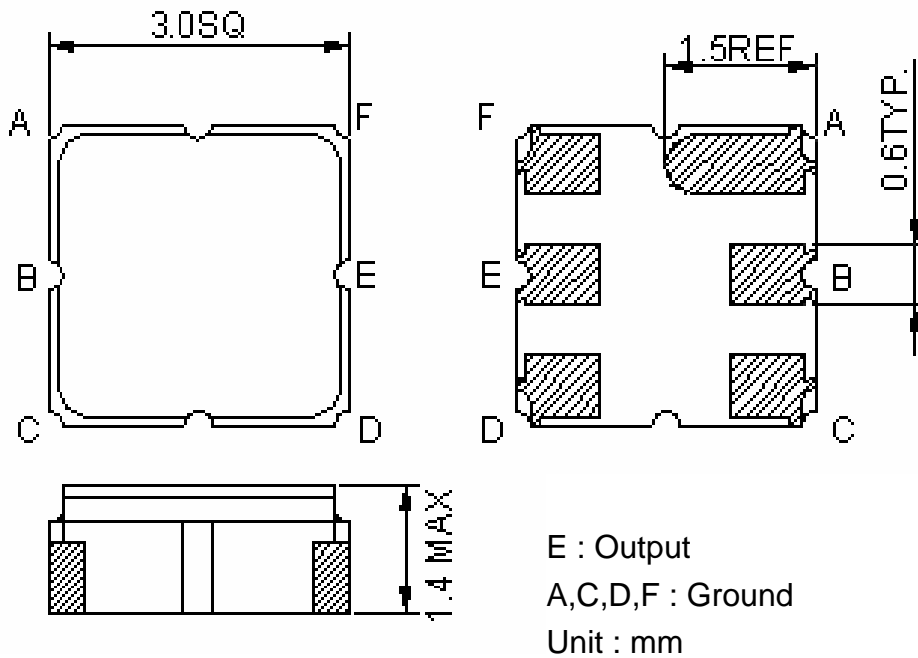
**SAW Filter 920.0MHz**

**Model: TA0666A\***

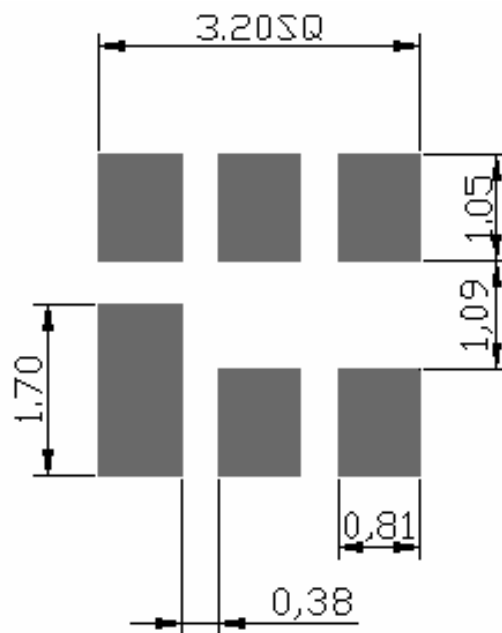
**Part No: MA08971**

**REV. NO.: 1**

**D. OUTLINE DRAWING:**



**E. PCB Footprint:**



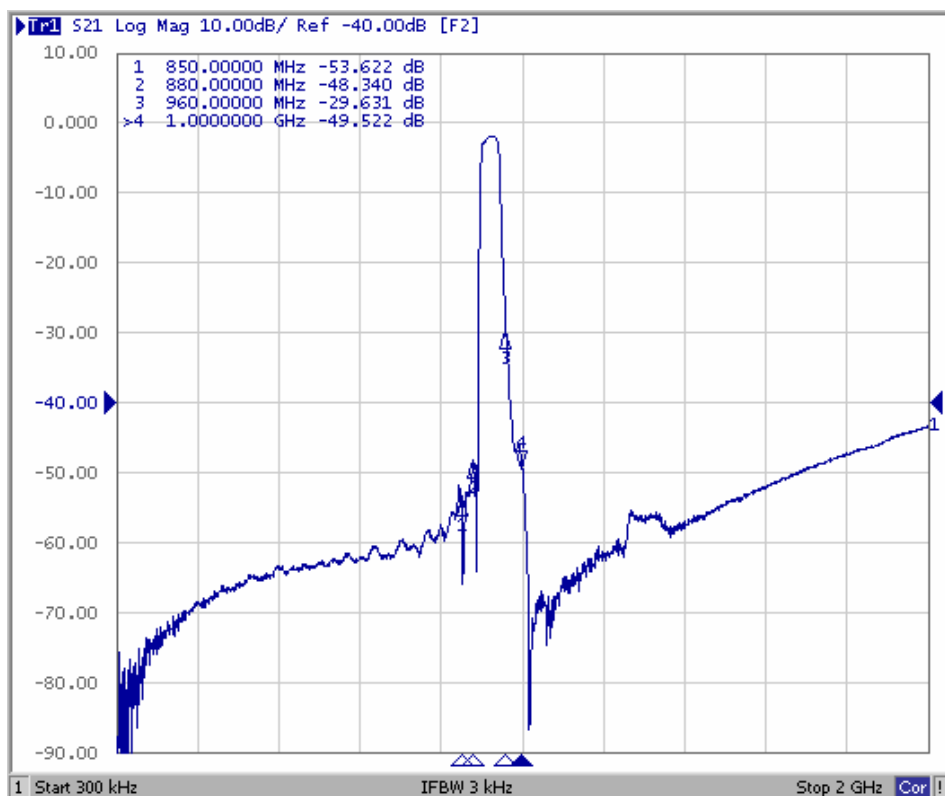
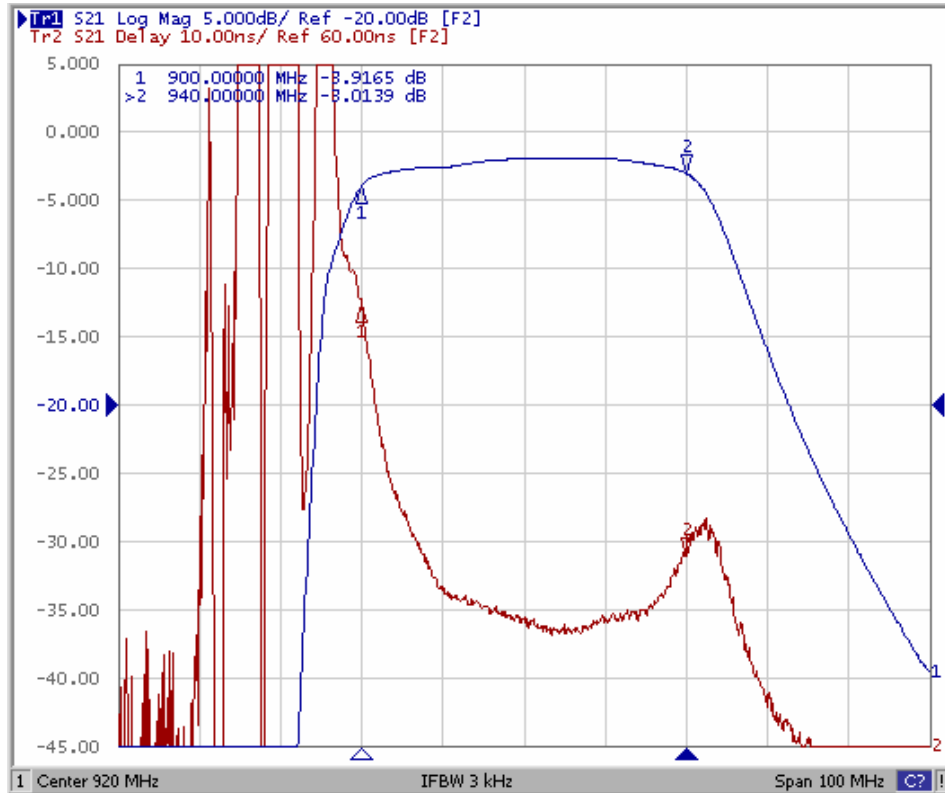
**SAW Filter 920.0MHz**

**Model: TA0666A\***

**Part No: MA08971**

**REV. NO.: 1**

**F. FREQUENCY CHARACTERISTICS:**

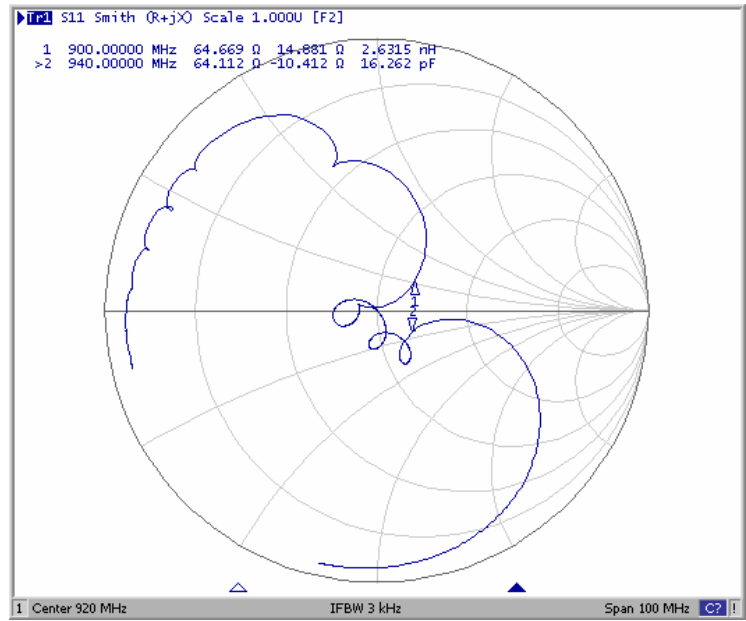
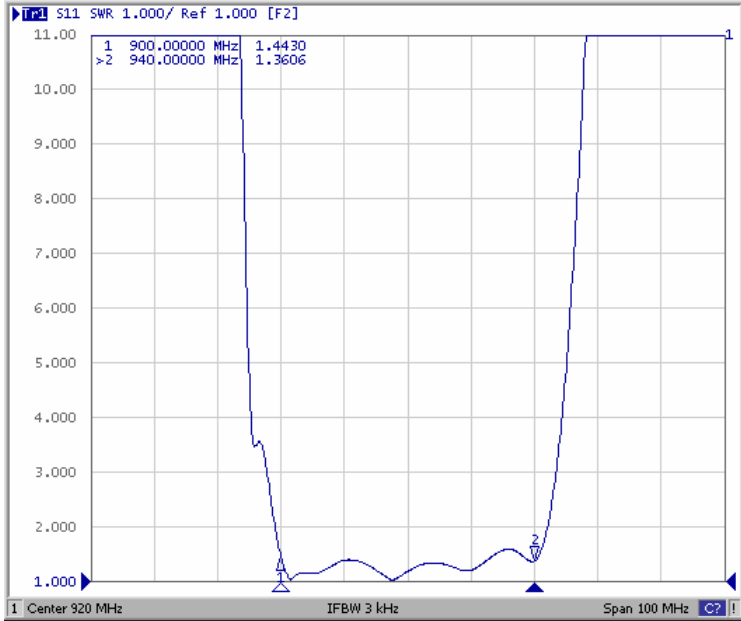


**SAW Filter 920.0MHz**  
**Part No: MA08971**

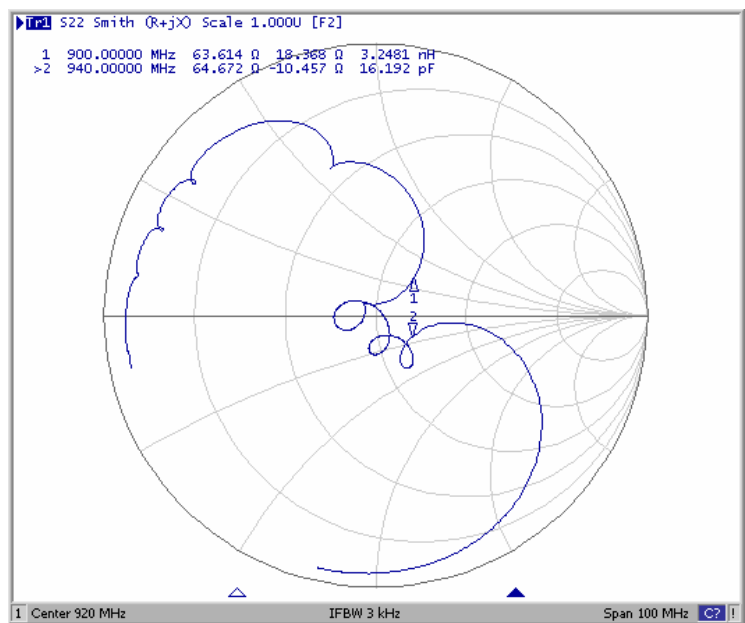
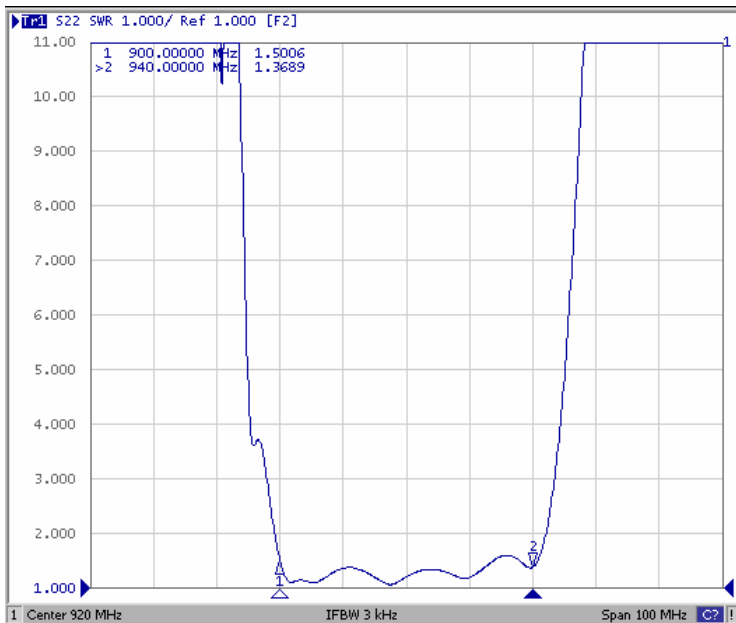
**Model: TA0666A\***  
**REV. NO.: 1**

**Reflection Functions:**

S11



S22



**SAW Filter 920.0MHz**

**Model: TA0666A\***

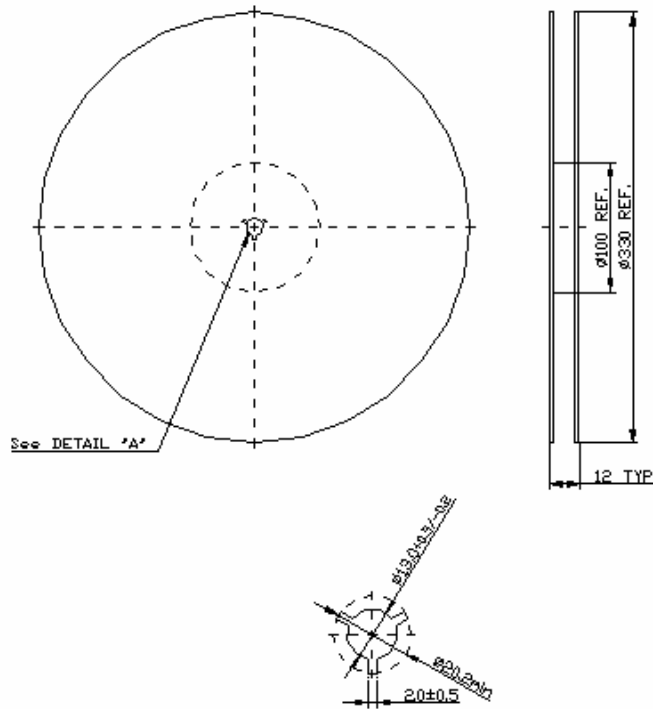
**Part No: MA08971**

**REV. NO.: 1**

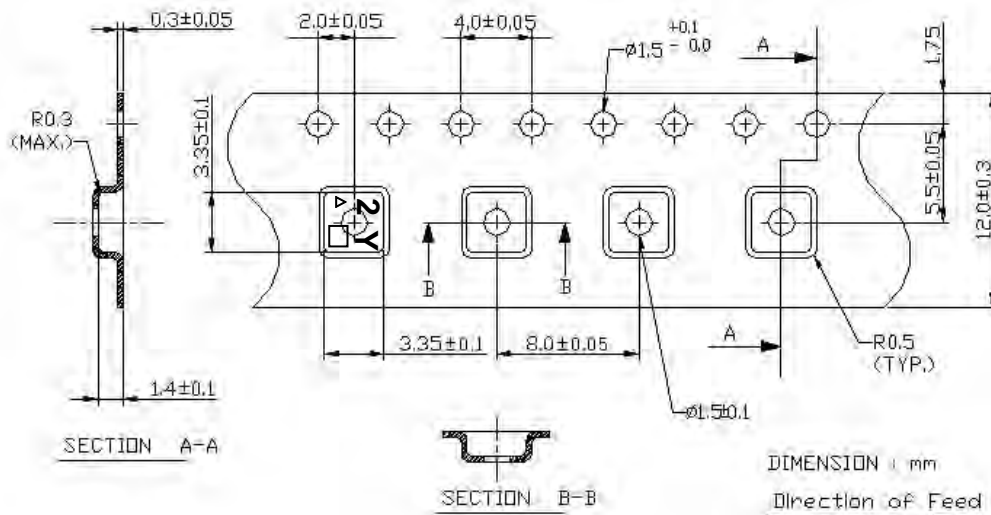
**G. PACKING:**

**1. REEL DIMENSION**

(Reel Count : 7"=1000 ; 13"=3000 )



**2.TAPE DIMENSION**



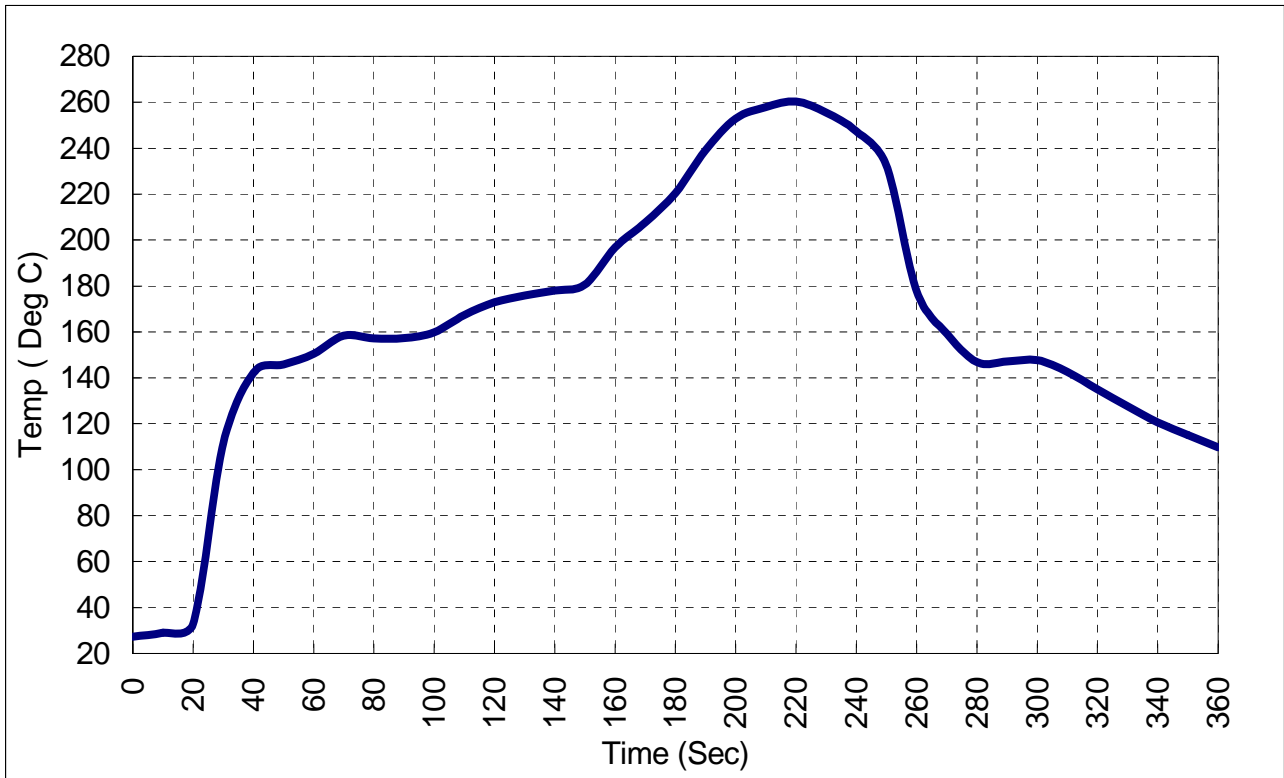
**SAW Filter 920.0MHz**

**Model: TA0666A\***

**Part No: MA08971**

**REV. NO.: 1**

**H. RECOMMENDED REFLOW PROFILE :**



Tel: +44 1460 256 100  
Fax: +44 1460 256 101  
www.golledge.com



*Golledge Electronics Ltd*  
Eaglewood Park, ILMINSTER  
Somerset, TA19 9DQ, UK

---

**SAW Filter 920.0MHz**

**Model: TA0666A\***

**Part No: MA08971**

**REV. NO.: 1**

---