

**SAW Filter 433.0MHz**  
**Part No: MA09155**

**Model: TA0692A**  
**Rev No: 1**

**A. MAXIMUM RATING:**

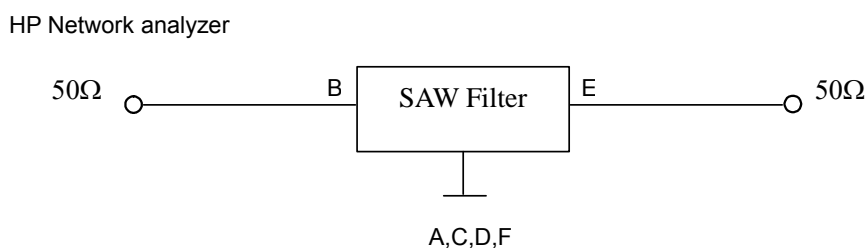
1. Input Power Level: 10dBm
2. DC voltage: 3V
3. Operating Temperature: -30°C to 72°C
4. Storage Temperature: -30°C to +85°C

**B. CHARACTERISTICS:**

Item	Unit	Min.	Typ.	Max.
Center Frequency Fc	MHz	-	433	-
Insertion Loss IL min	dB	-	1.4	2.8
Bandwidth BW -3dB	MHz	20	22.9	-
Absolute Attenuation(reference to 0dB)				
10 ~ 410MHz	dB	36	45	-
470 ~ 680MHz	dB	36	46	-
Source impedance Z <sub>S</sub>	Ω	-	50	-
Load impedance Z <sub>L</sub>	Ω	-	50	-
Temperature coefficient	ppm/k		-36	

Note: IL min is the minimum of the pass band attenuation. The center frequency Fc is the mean value of the upper and lower frequencies at the 3dB filter attenuation level relative to the IL min.

**C. MEASUREMENT CIRCUIT:**

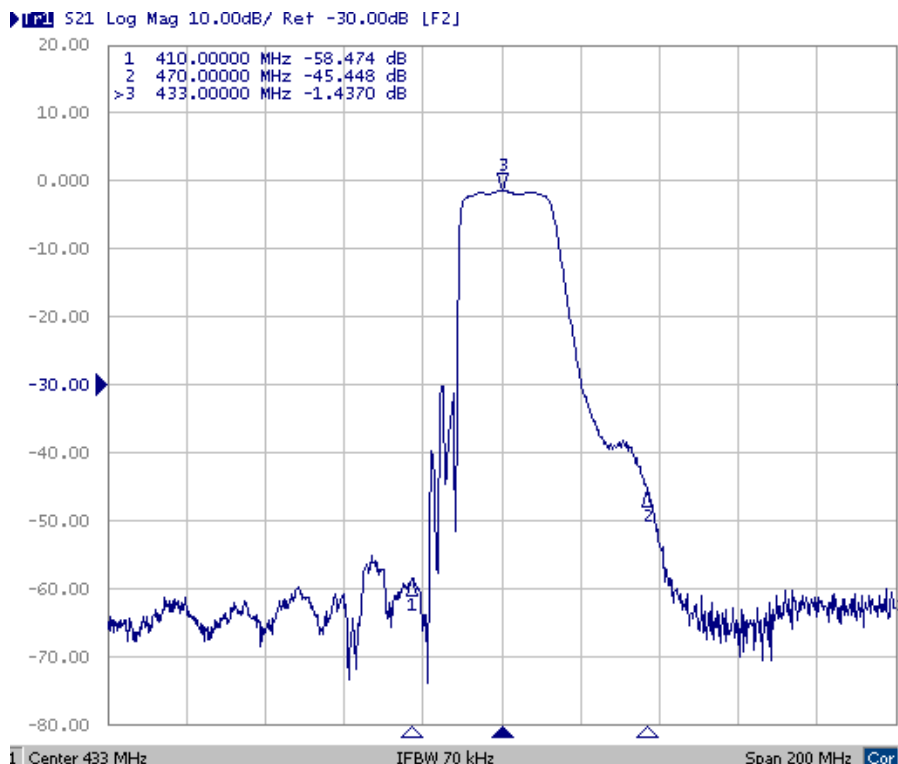
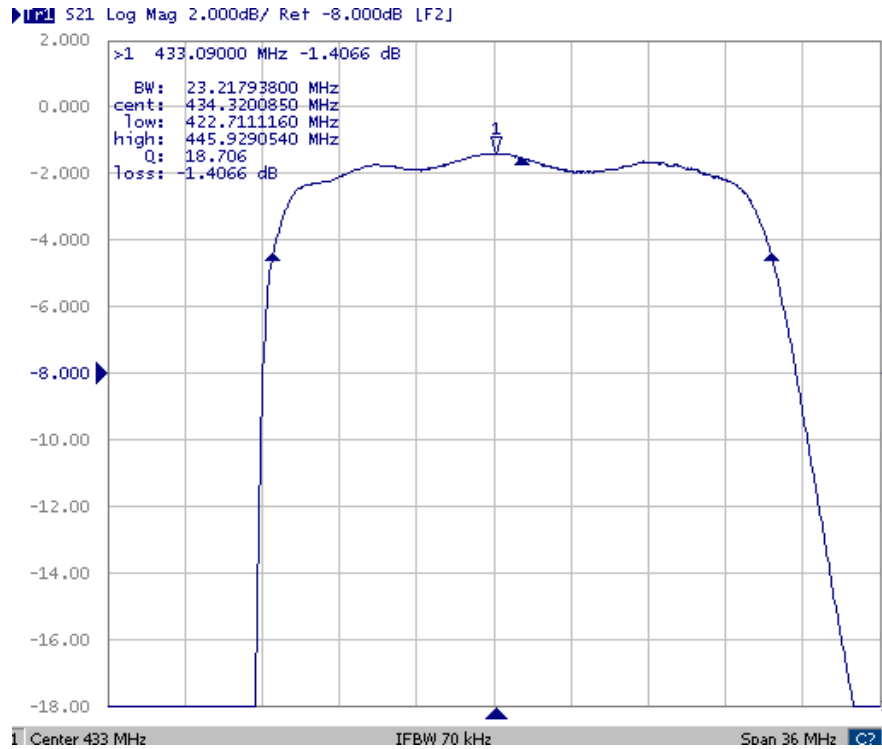


**SAW Filter 433.0MHz**  
**Part No: MA09155**

**Model: TA0692A**  
**Rev No: 1**

**D. FREQUENCY CHARACTERISTICS:**

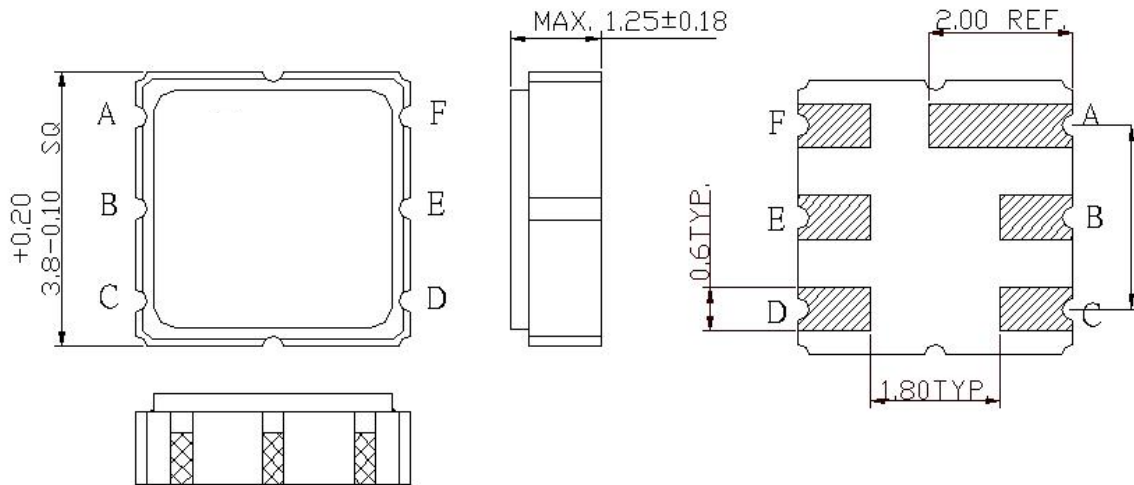
Transfer functions



**SAW Filter 433.0MHz**  
**Part No: MA09155**

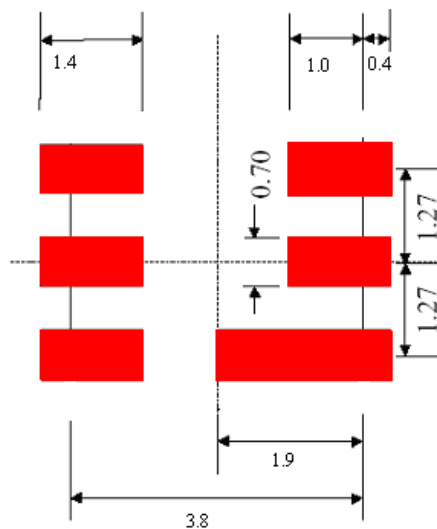
**Model: TA0692A**  
**Rev No: 1**

**E. OUTLINE DRAWING:**



B: Input  
 E: Output  
 A, C, D, F: Ground  
 Unit: mm

**F. PCB FOOTPRINT:**



**SAW Filter 433.0MHz**

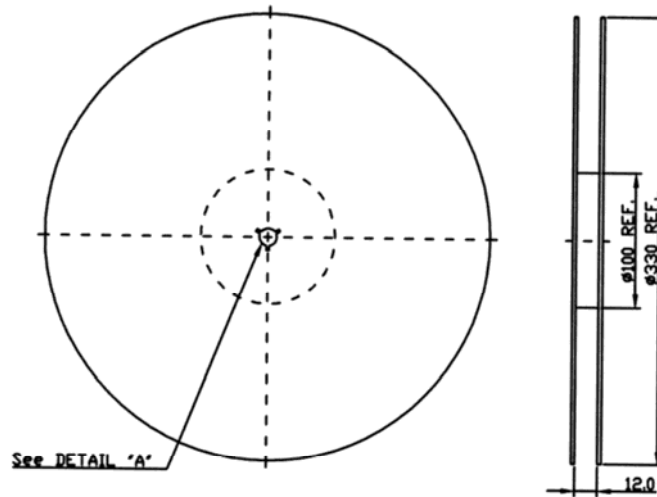
**Model: TA0692A**

**Part No: MA09155**

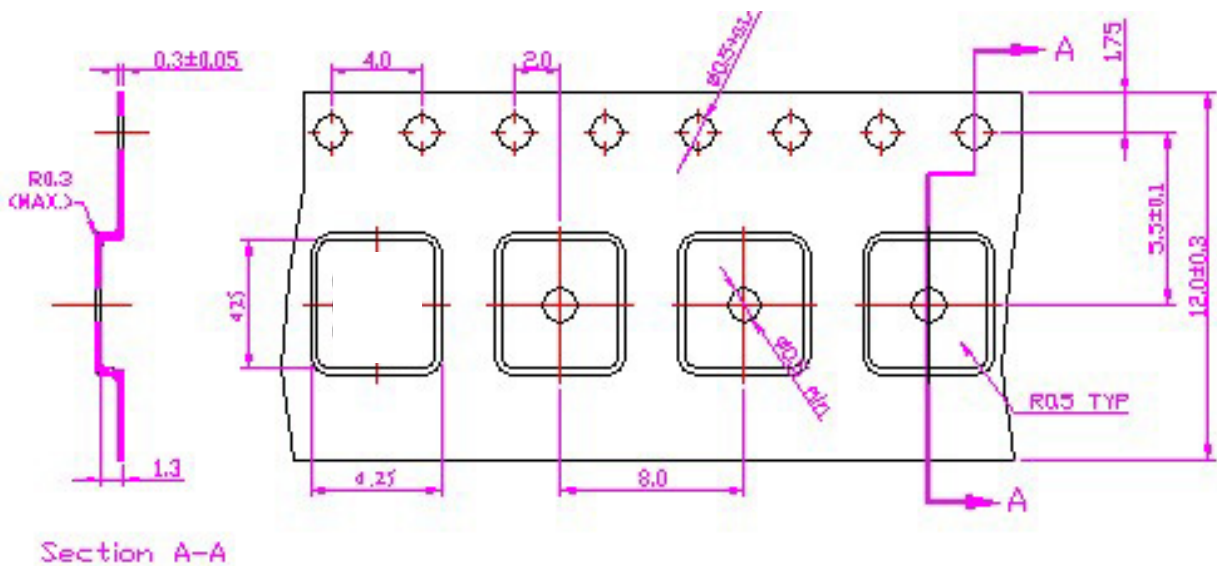
**Rev No: 1**

**G. PACKING:**

1. Reel Dimension



2. Tape Dimension



Section A-A

Direction of Feed



**SAW Filter 433.0MHz**  
**Part No: MA09155**

**Model: TA0692A**  
**Rev No: 1**

**H. REFLOW PROFILE:**

