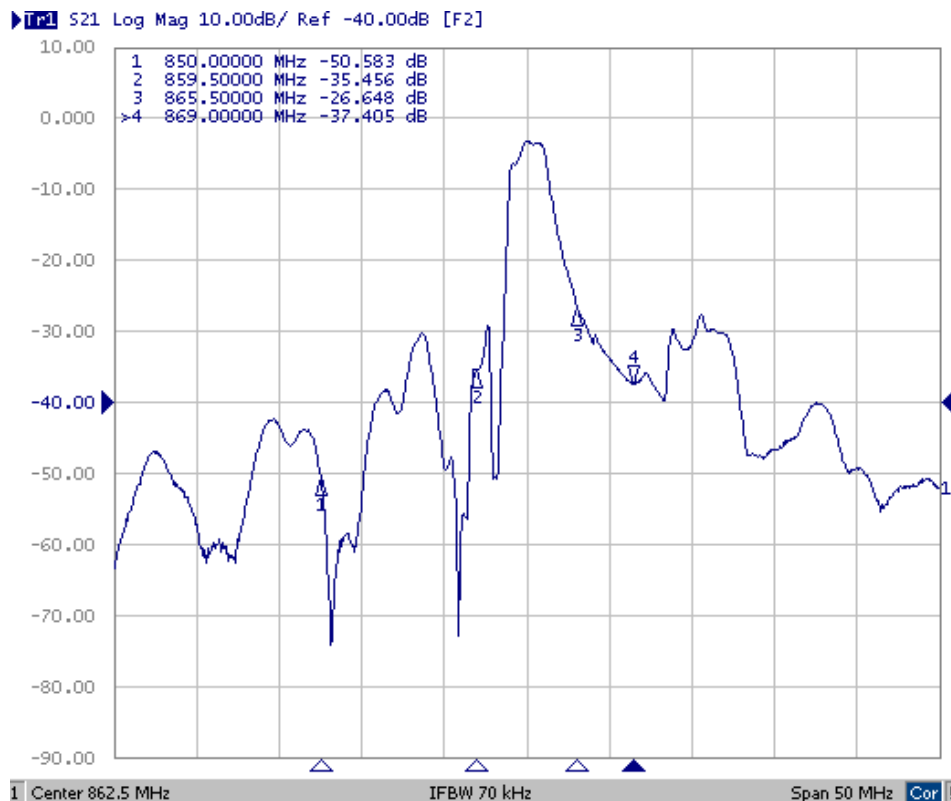
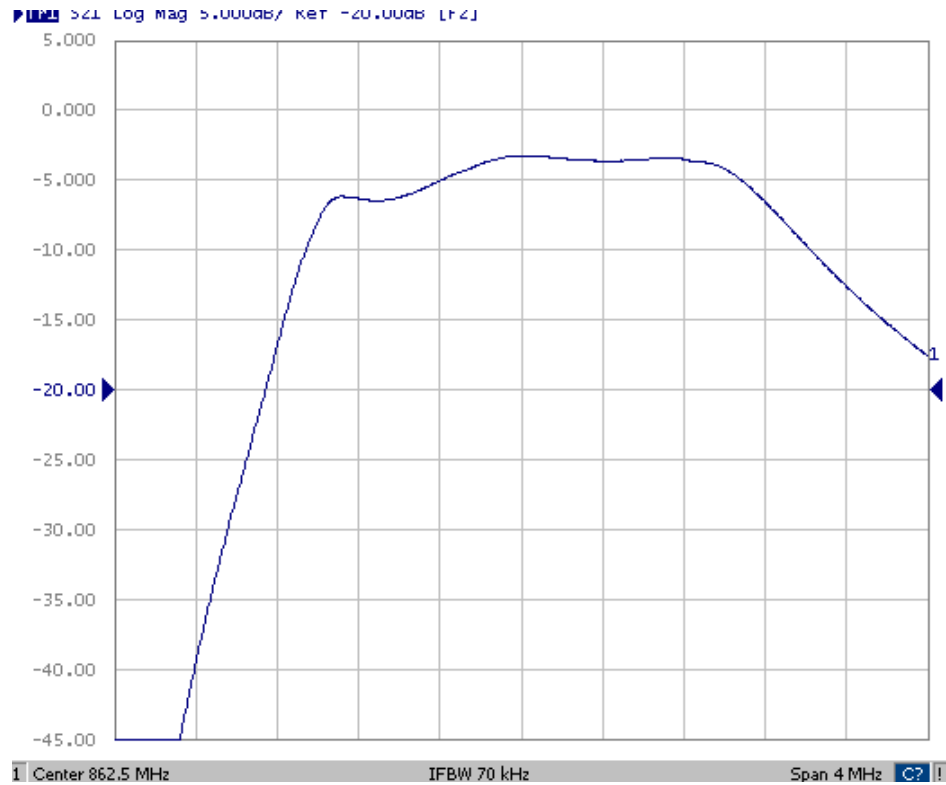


SAW Filter 862.50MHz
Part No: MA09279

Model: TA0694A
Rev. No: 2

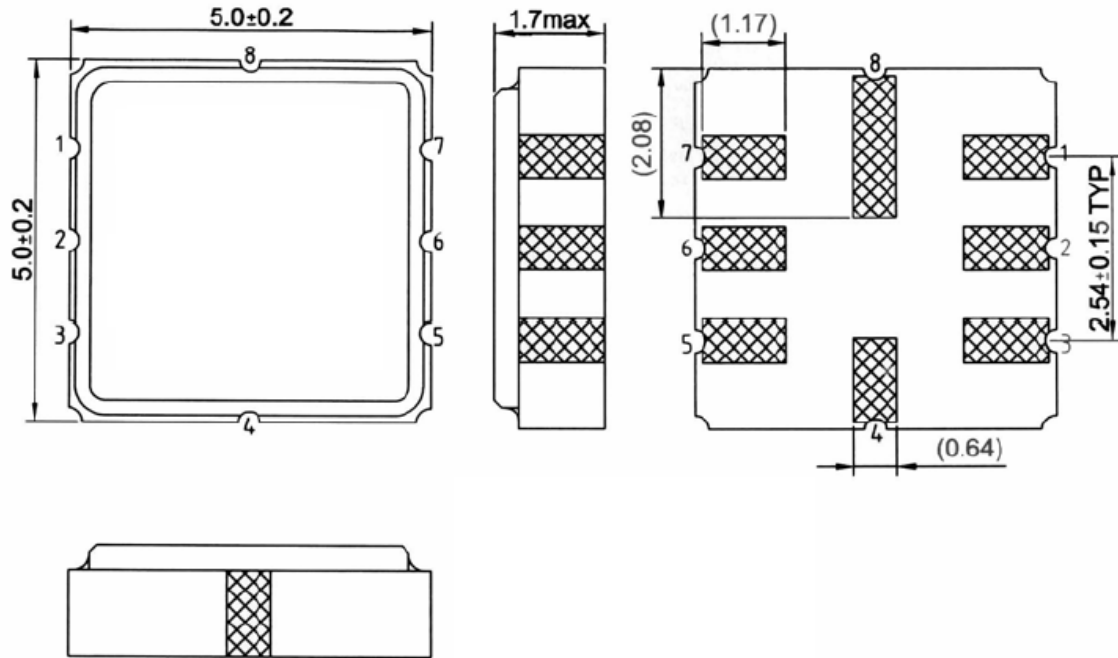
D. FREQUENCY CHARACTERISTICS:



SAW Filter 862.50MHz
Part No: MA09279

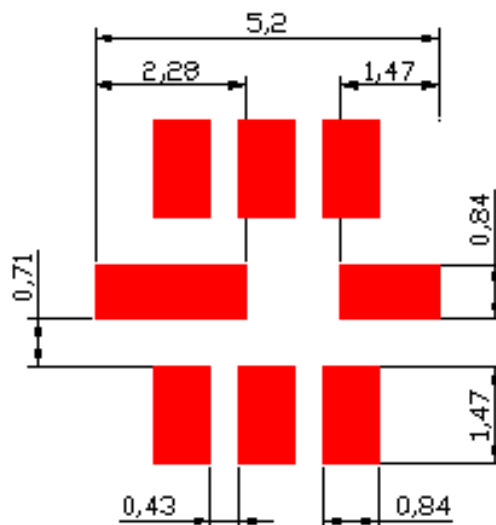
Model: TA0694A
Rev. No: 2

E. OUTLINE DRAWING:



- 1: Input:
 - 2: Input ground
 - 5: Output:
 - 6: Output ground
 - 3, 4, 7, 8: Ground
- Unit: mm

F. PCB FOOTPRINT:



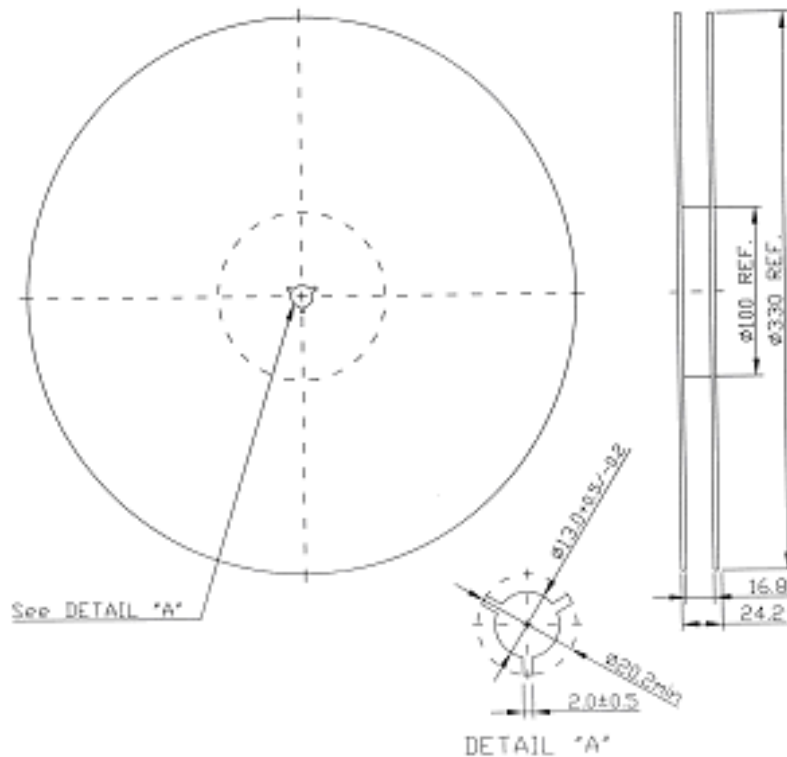
SAW Filter 862.50MHz
Part No: MA09279

Model: TA0694A
Rev. No: 2

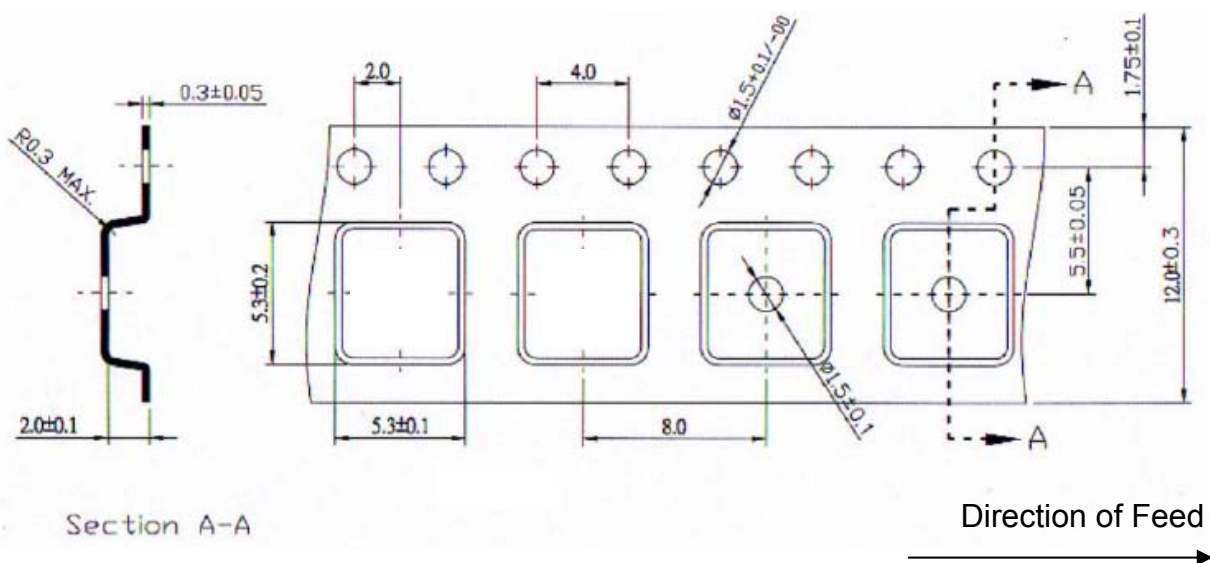
G. PACKING:

1. Reel Dimension

7" = 1000
 13" = 3000



2. Tape Dimension



SAW Filter 862.50MHz
Part No: MA09279

Model: TA0694A
Rev. No: 2

H. RECOMMENDED REFLOW PROFILE:

