

SAW Filter 700.0MHz
Part No: MA09438

Model: TA0617A
Rev No: 3

A. MAXIMUM RATING:

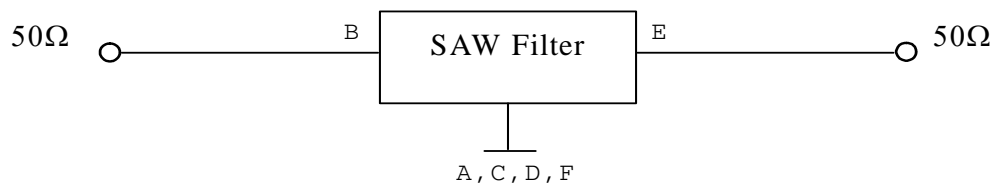
1. Input Power Level: 10dBm
2. DC Voltage: 3V
3. Operating Temperature: 0°C to +50°C
4. Storage Temperature: -30°C to +85°C

B. ELECTRICAL CHARACTERISTICS:

Item	Unit	Min.	Typ.	Max.	Note
Center Frequency Fc	MHz	-	700	-	-
Insertion Loss at Center Frequency ILc	dB	-	1.7	2.2	-
VSWR at Center Frequency		-	1.3	2	-
Attenuation (Reference level from ILc)					
608 ~ 614MHz	dB	20	60	-	-
786 ~ 792MHz	dB	20	70	-	-
1308 ~ 1314MHz	dB	45	60	-	-
1486 ~ 1492MHz	dB	45	56	-	-
2008 ~ 2014MHz	dB	35	40	-	-
2186 ~ 2192MHz	dB	33	39	-	-

C. MEASUREMENT CIRCUIT:

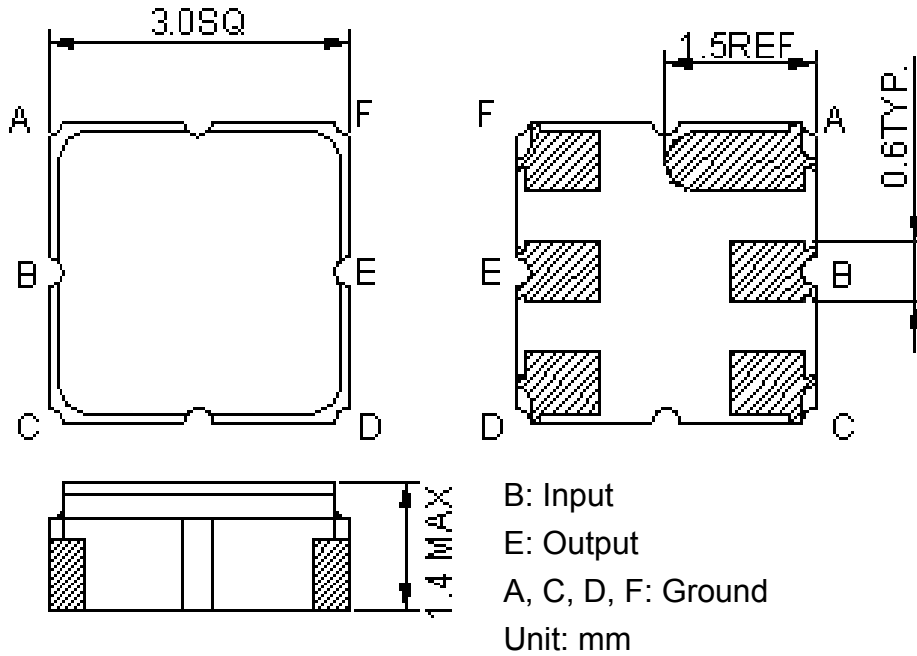
HP Network analyzer



SAW Filter 700.0MHz
Part No: MA09438

Model: TA0617A
Rev No: 3

D. OUTLINE DRAWING:



Note :

The base material is ceramic with Au over Ni plating.

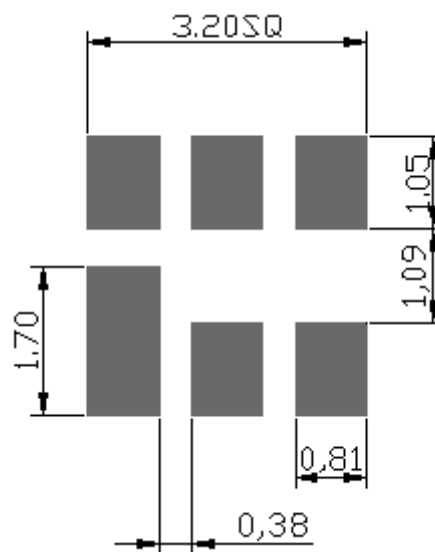
The plating thicknesses are:

Electro Ni : 1.27~8.89µm.

Electro Au : 0.3~1.0µm (solder pads only).

0.3µm Min. (Others)

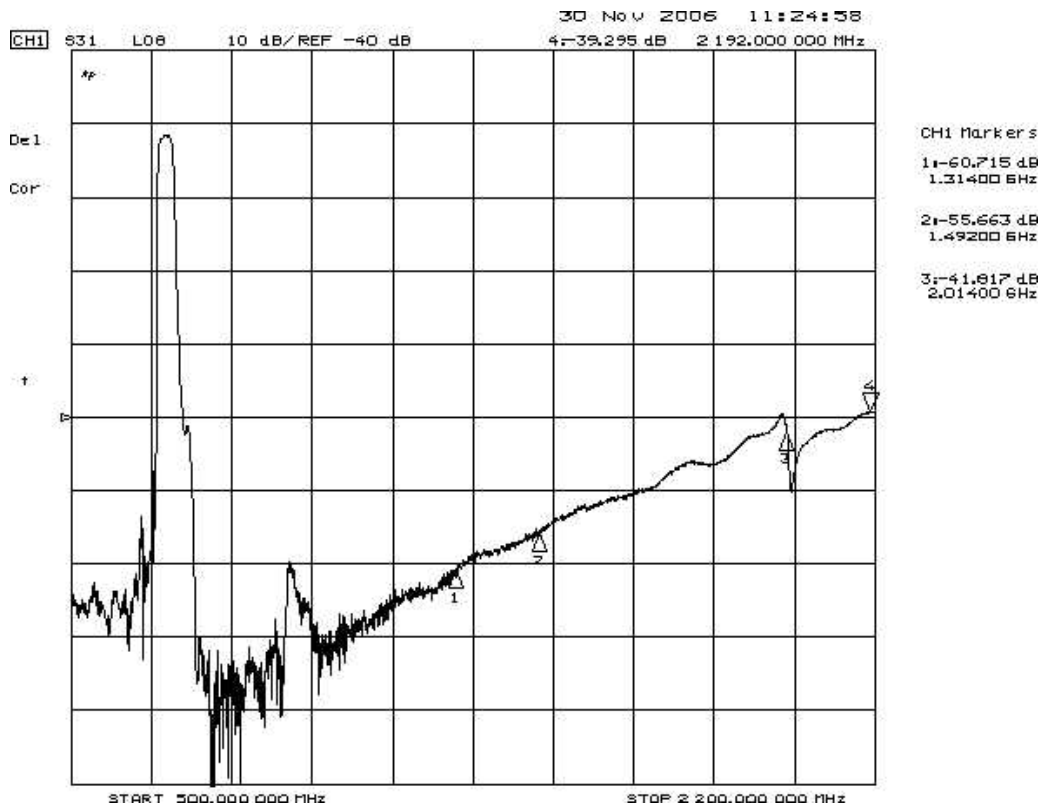
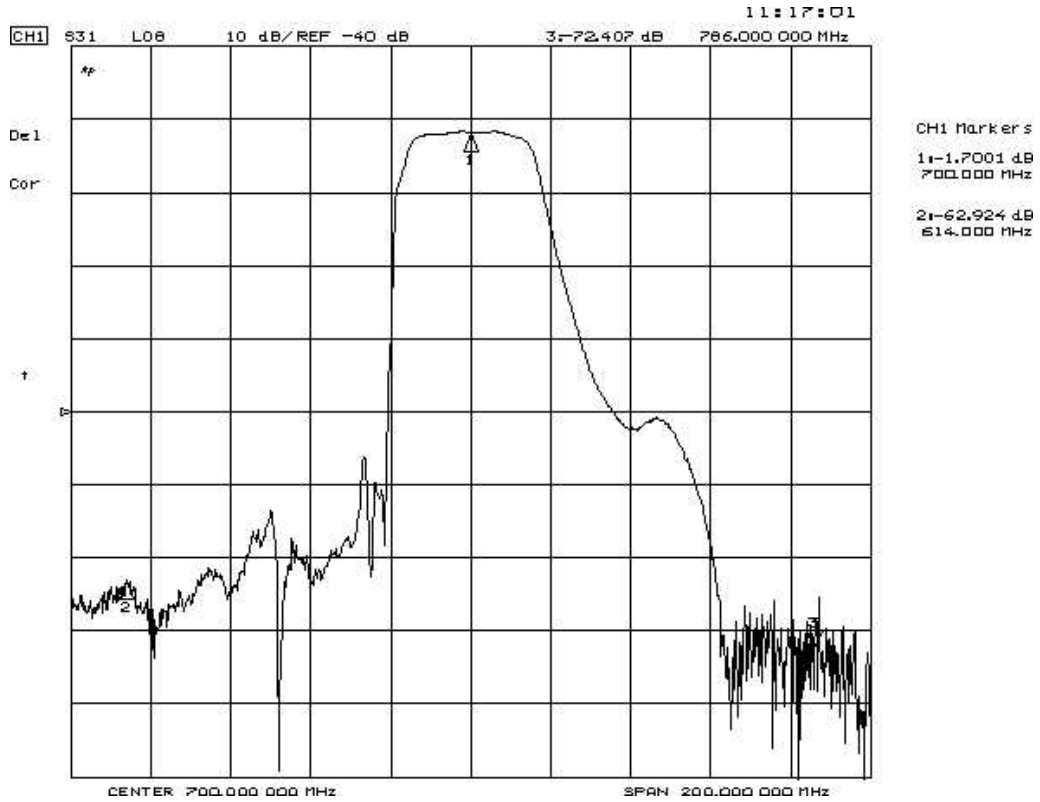
E. PCB FOOTPRINT:



SAW Filter 700.0MHz
Part No: MA09438

Model: TA0617A
Rev No: 3

F. FREQUENCY CHARACTERISTICS:

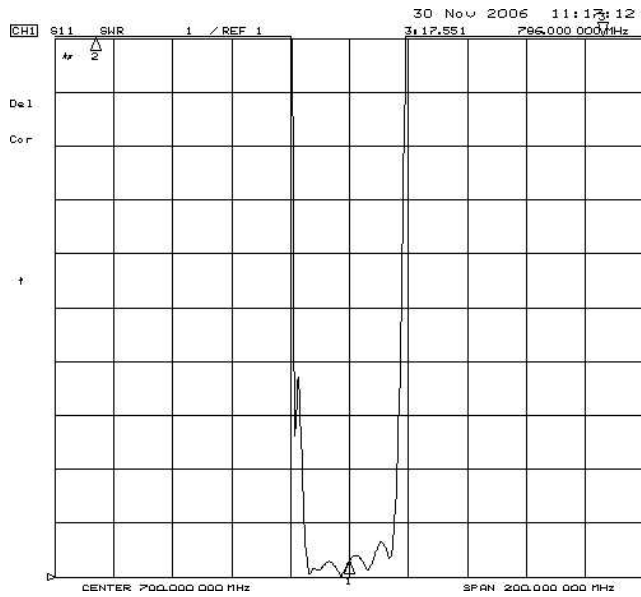


SAW Filter 700.0MHz
Part No: MA09438

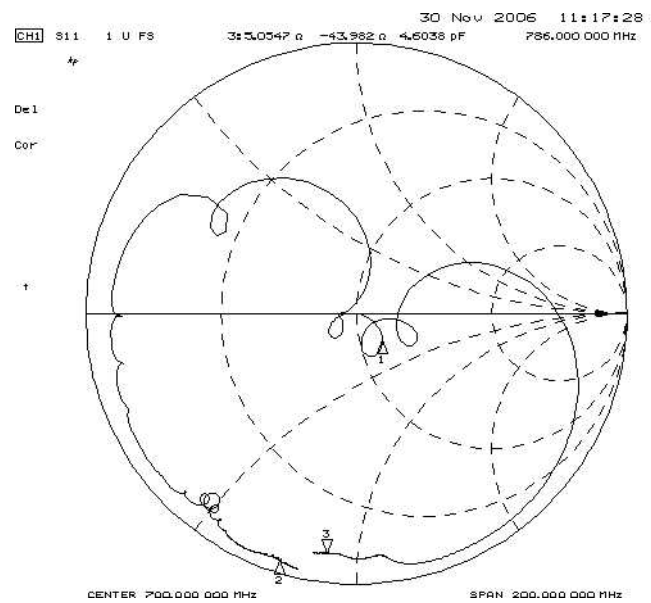
Model: TA0617A
Rev No: 3

Reflection Functions

S11

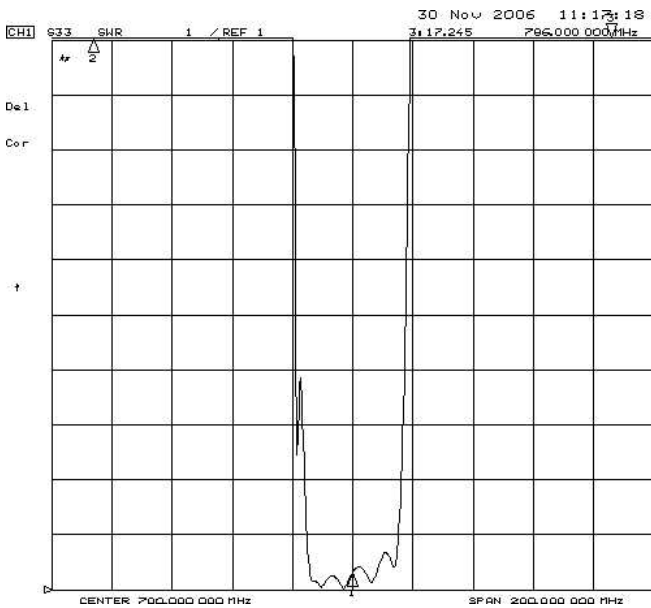


CHI Markers
 1: 1.3124
 700.000 MHz
 2: 42.420
 614.000 MHz

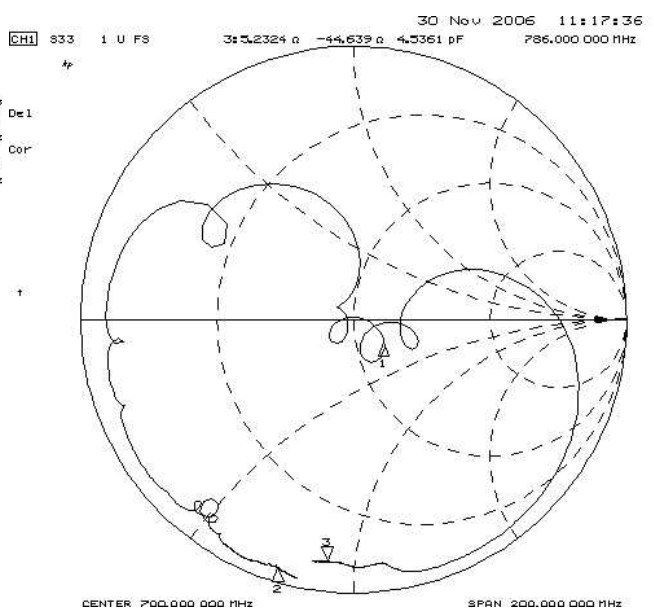


CHI Markers
 1: 59.400
 -11.457
 700.000 MHz
 2: 1.9320
 -36.740
 614.000 MHz

S22



CHI Markers
 1: 1.3250
 700.000 MHz
 2: 38.393
 614.000 MHz



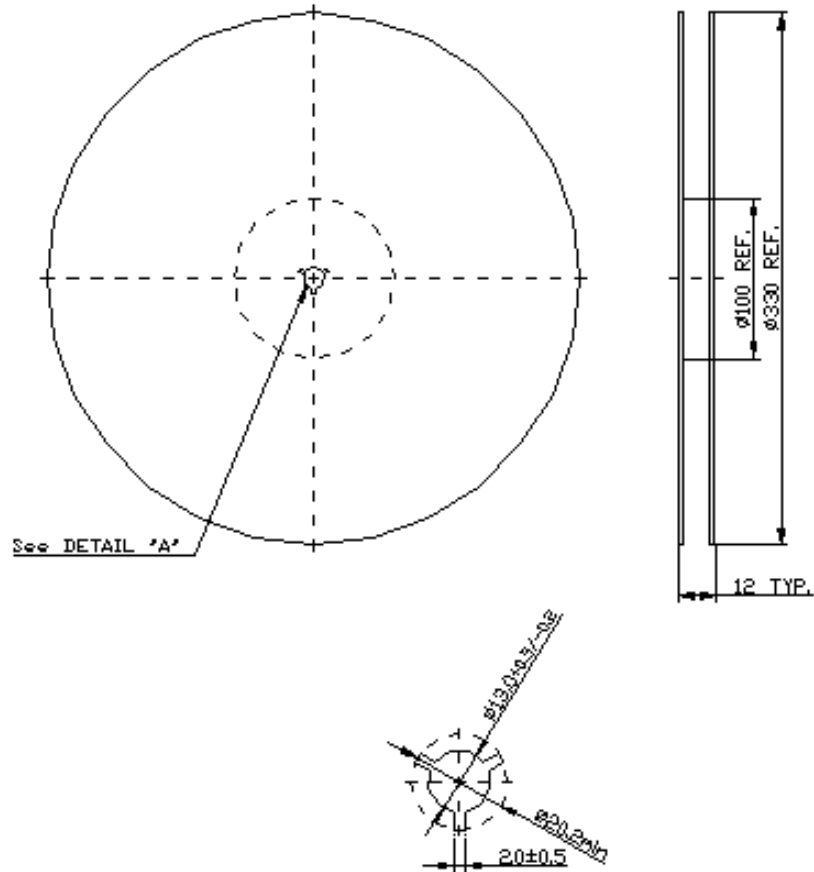
CHI Markers
 1: 61.533
 -10.543
 700.000 MHz
 2: 1.9805
 -37.006
 614.000 MHz

SAW Filter 700.0MHz
Part No: MA09438

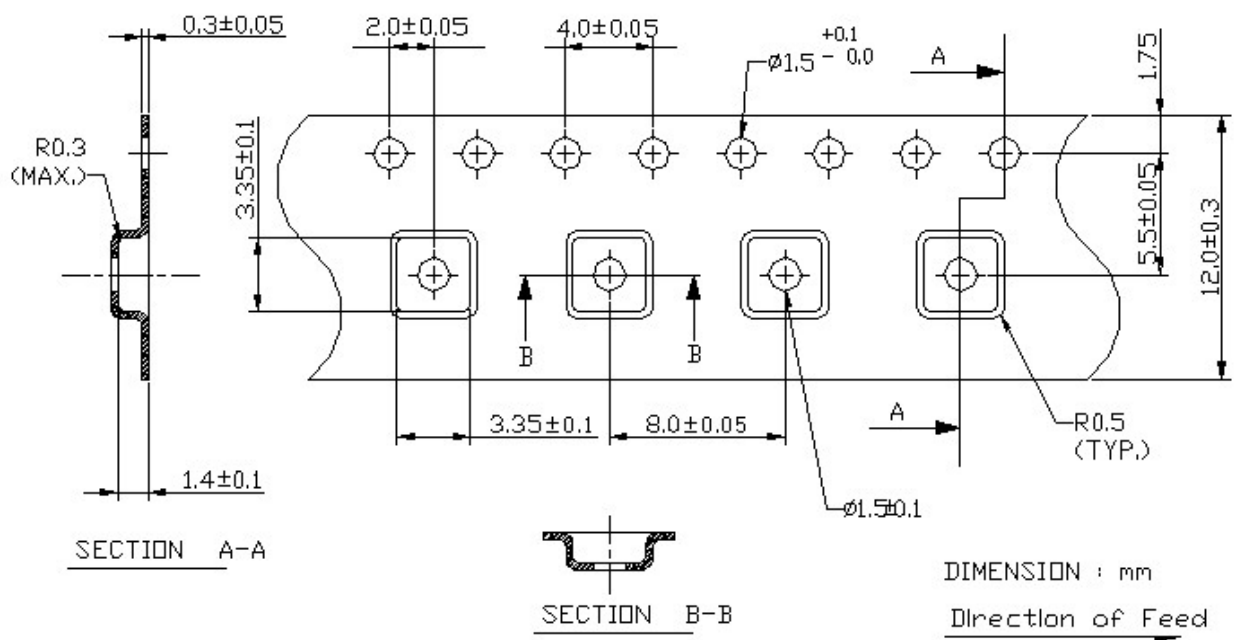
Model: TA0617A
Rev No: 3

G. PACKING:

1. Reel Dimension (Reel Count: 7" = 1000; 13" = 3000)



2. Tape Dimension



SAW Filter 700.0MHz
Part No: MA09438

Model: TA0617A
Rev No: 3

H. RECOMMENDED REFLOW PROFILE:

