

SAW Filter 1592.5MHz
Part No: MA09582

Model: TA0676A
Rev. No: 1

A. MAXIMUM RATING:

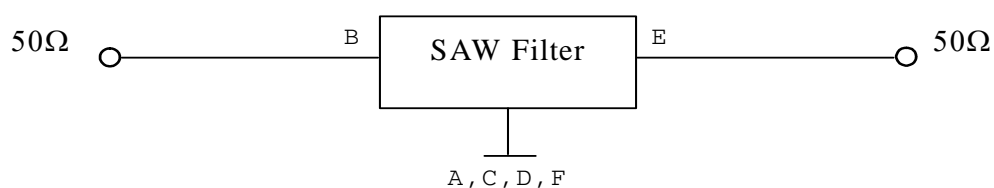
1. Input Power Level: 10dBm
2. DC Voltage: 3V
3. Operating Temperature: -30°C to +70°C
4. Storage Temperature: -55°C to +85°C

B. ELECTRICAL CHARACTERISTICS:

Item	Unit	Min.	Typ.	Max.	Note
Center Frequency Fc	MHz	-	1592.5	-	-
Insertion Loss (1571 ~ 1614MHz) IL	dB	-	2.6	3.5	-
Amplitude Ripple (1571 ~ 1614MHz)	dB	-	1.3	2	-
Bandwidth @ -2dB	dB	43	49	-	-
Bandwidth @ -20dB	dB	-	74	120	-
Bandwidth @ -35dB	dB	-	88	140	-
Attenuation (Reference level from 0dB)					
DC ~ 1522.5MHz	dB	28	34	-	-
1662.5 ~ 3000MHz	dB	30	38	-	-

C. MEASUREMENT CIRCUIT:

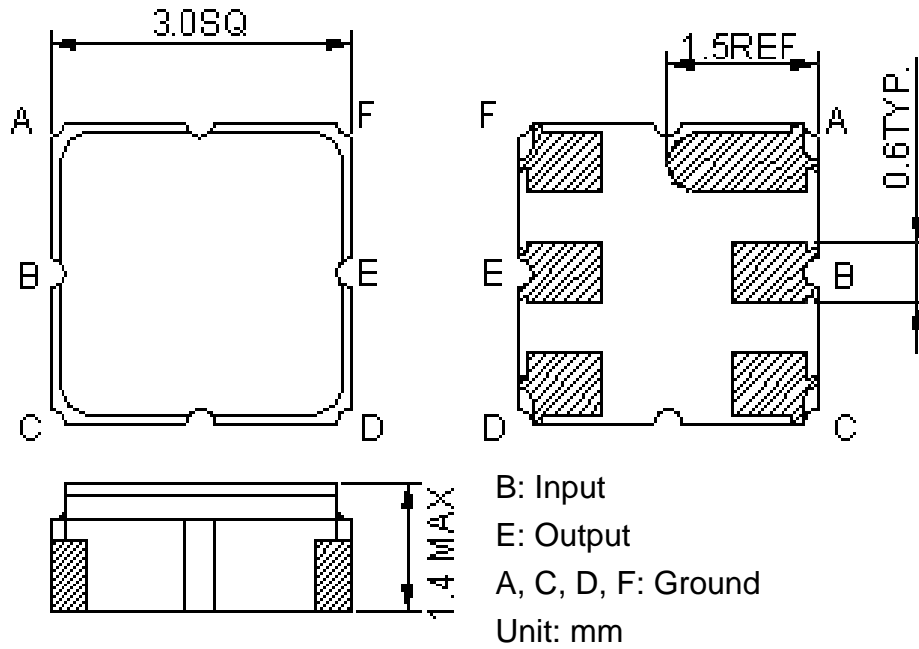
HP Network analyzer



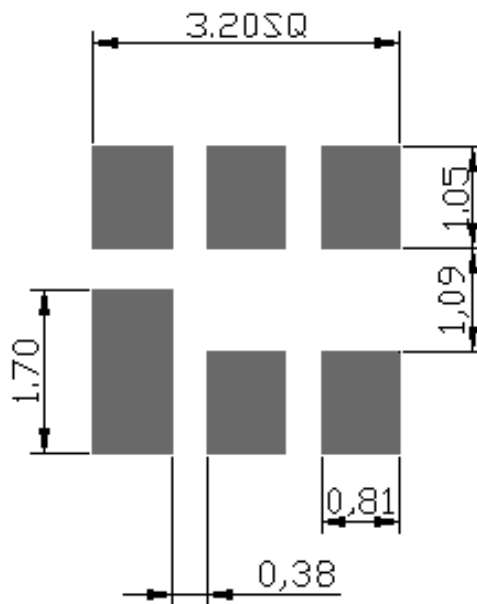
SAW Filter 1592.5MHz
Part No: MA09582

Model: TA0676A
Rev. No: 1

D. OUTLINE DRAWING:



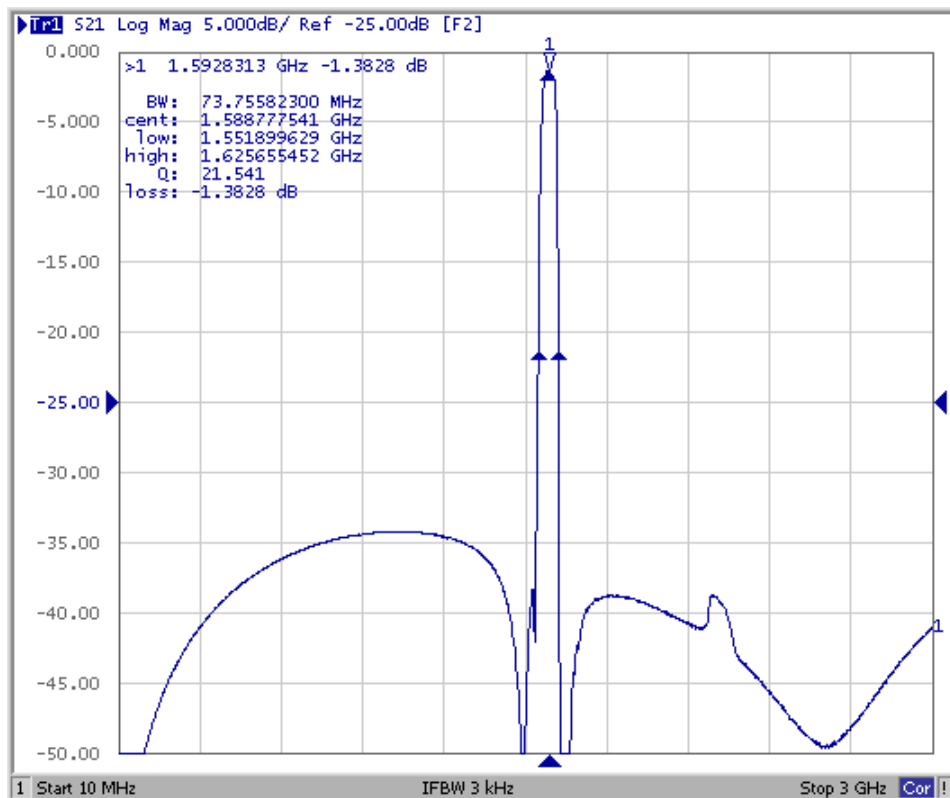
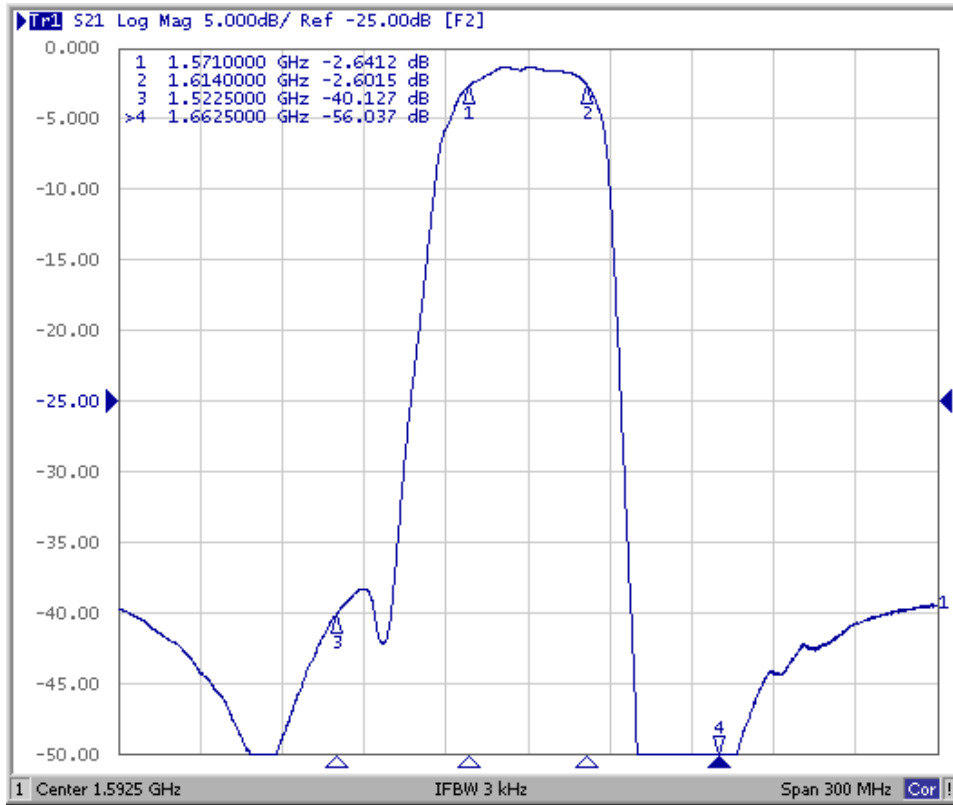
E. PCB FOOTPRINT:



SAW Filter 1592.5MHz
Part No: MA09582

Model: TA0676A
Rev. No: 1

F. FREQUENCY CHARACTERISTICS:

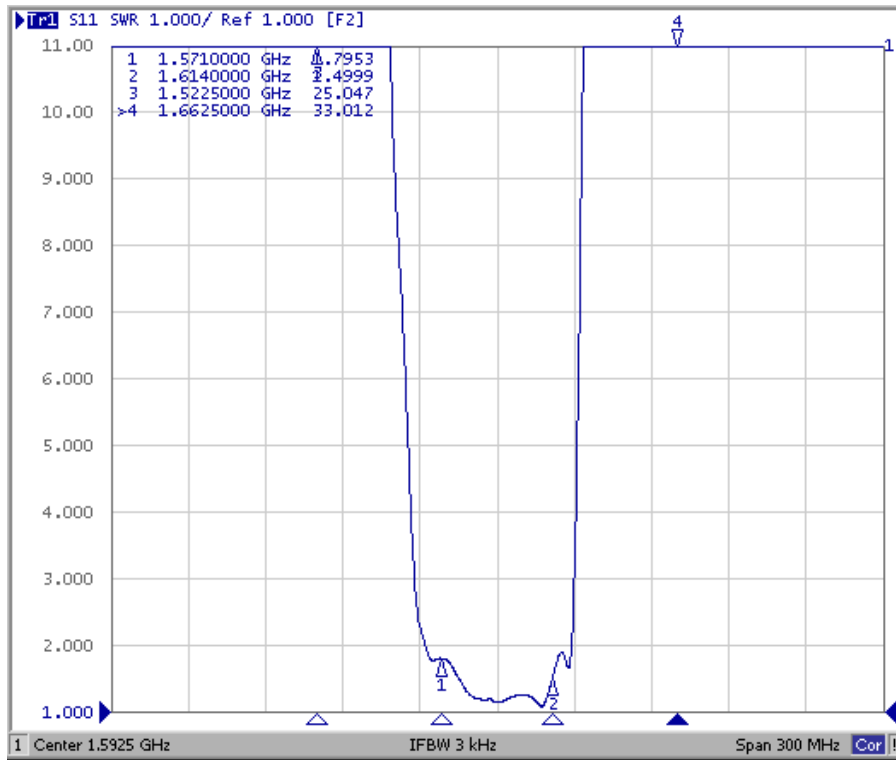


SAW Filter 1592.5MHz
Part No: MA09582

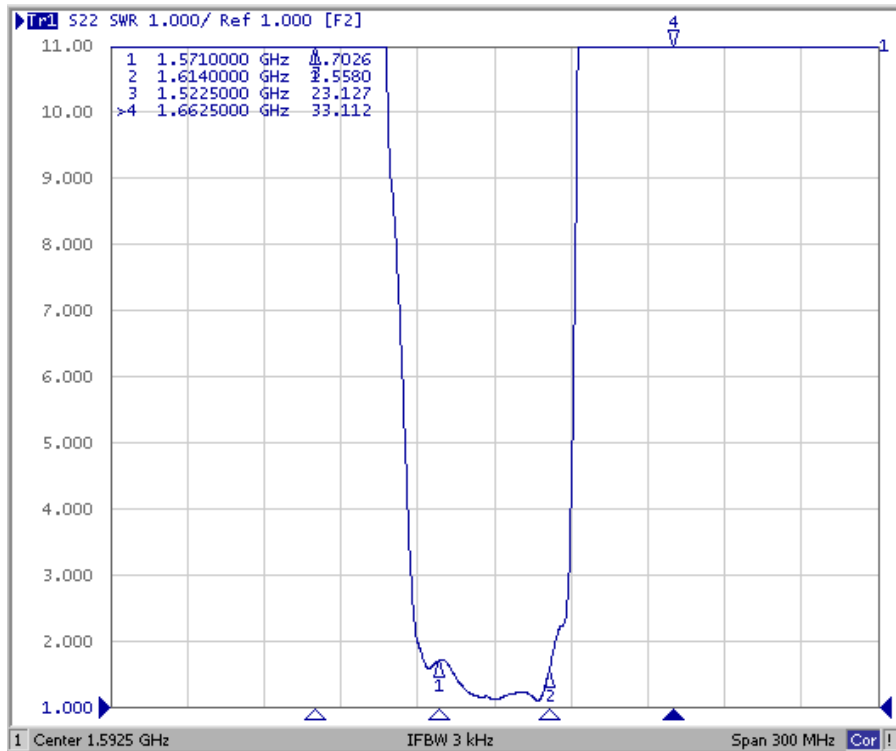
Model: TA0676A
Rev. No: 1

Reflection Functions

S11



S22



SAW Filter 1592.5MHz

Model: TA0676A

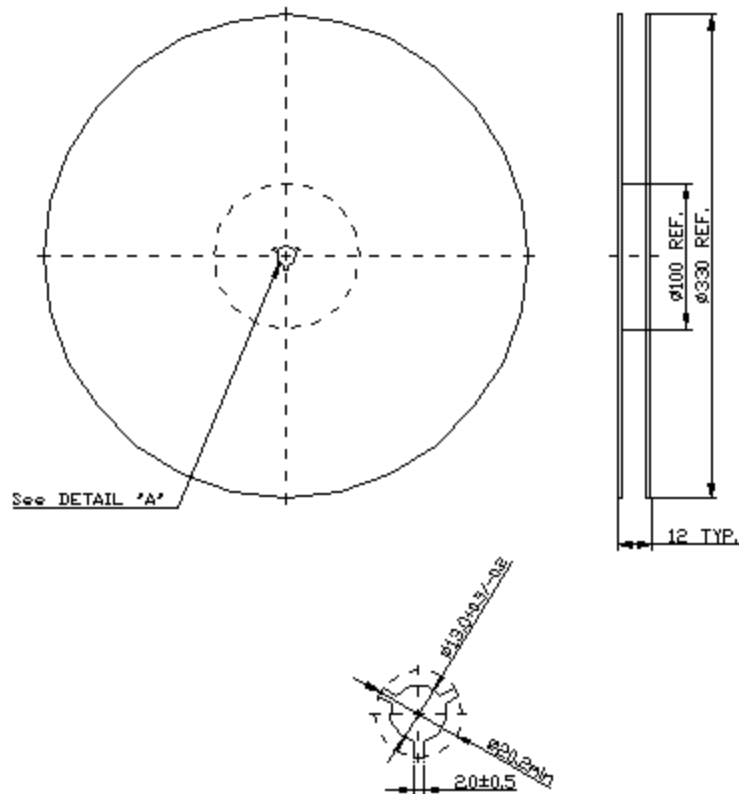
Part No: MA09582

Rev. No: 1

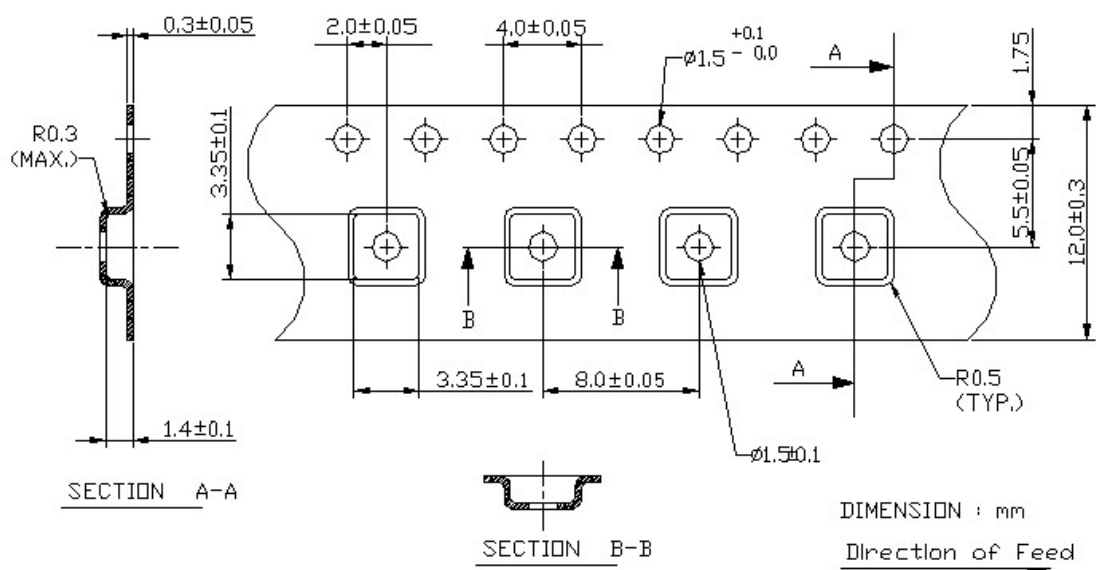
G. PACKING:

1. Reel Dimension

(Reel Count: 7" = 1000; 13" = 3000)



2. Tape Dimension



SAW Filter 1592.5MHz
Part No: MA09582

Model: TA0676A
Rev. No: 1

H. RECOMMENDED REFLOW PROFILE:

