

SAW Filter 1575.420MHz

Model: TA0587A

Part No: MA09738

REV. NO.: 3

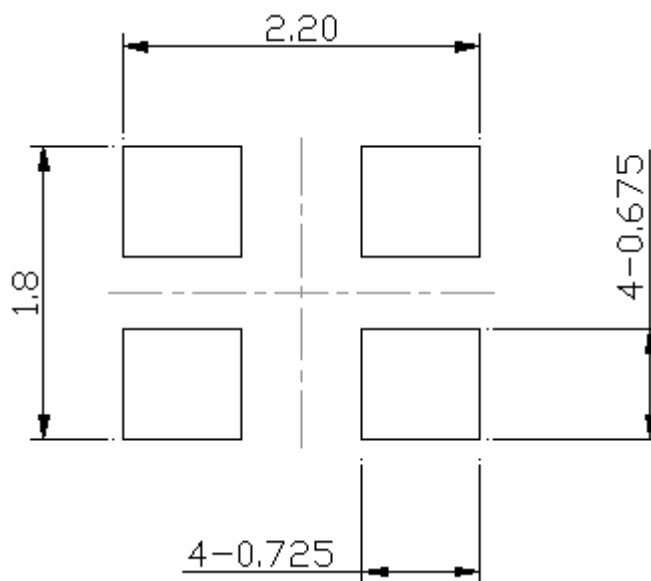
A. MAXIMUM RATING:

1. Input Power Level: 10 dBm (1574.42 ~ 1576.42 MHz)
2. Input Power Level: 10 dBm (D.C. ~ 1500 MHz and 1625 ~ 3000MHz)
3. DC voltage: 7.5 V
4. Operating Temperature: -40°C to +85°C
5. Storage Temperature: -40°C to +95°C

B. ELECTRICAL CHARACTERISTICS:

Item	Min.	Typ.	Max.
Center frequency Fc (MHz)	-	1575.42	-
Insertion loss (1574.42~1576.42 MHz) IL (dB)	-	1.2	1.6
Amplitude ripple (1574.42~1576.42 MHz) (dB)	-	0.1	0.8
Attenuation (Reference level from 0 dB)			
D.C. ~ 1000 MHz (dB)	20	23	-
1500 MHz (dB)	35	48	-
1625 ~ 1635 MHz (dB)	30	48	-
1800 ~ 3000 MHz (dB)	25	28	-
VSWR (1574.42~1576.42 MHz)	-	1.2	1.8
Source impedance Zs (Ω)	-	50	-
Load impedance ZL (Ω)	-	50	-

C. PCB FOOTPRINT:



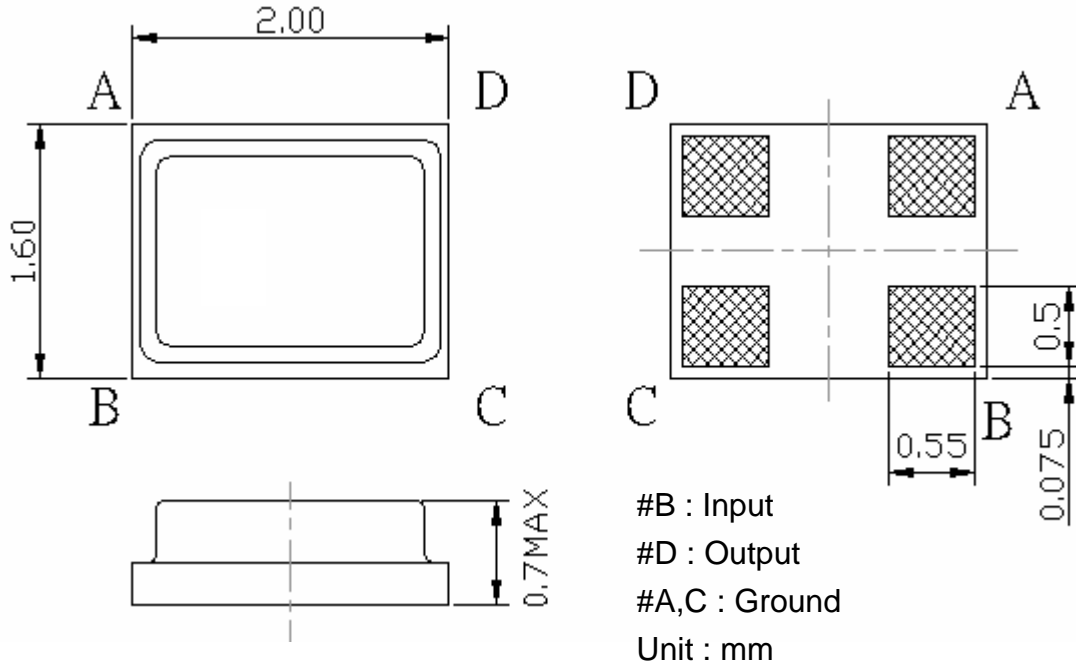
SAW Filter 1575.420MHz

Model: TA0587A

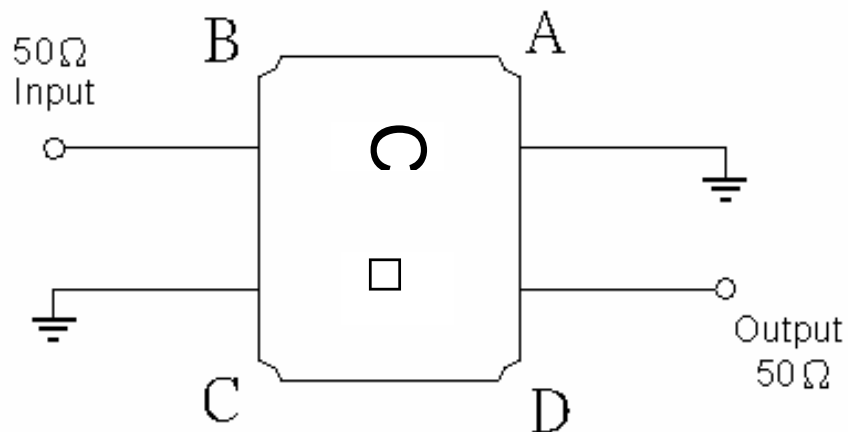
Part No: MA09738

REV. NO.: 3

D. OUTLINE DRAWING:



E. MEASUREMENT CIRCUIT:

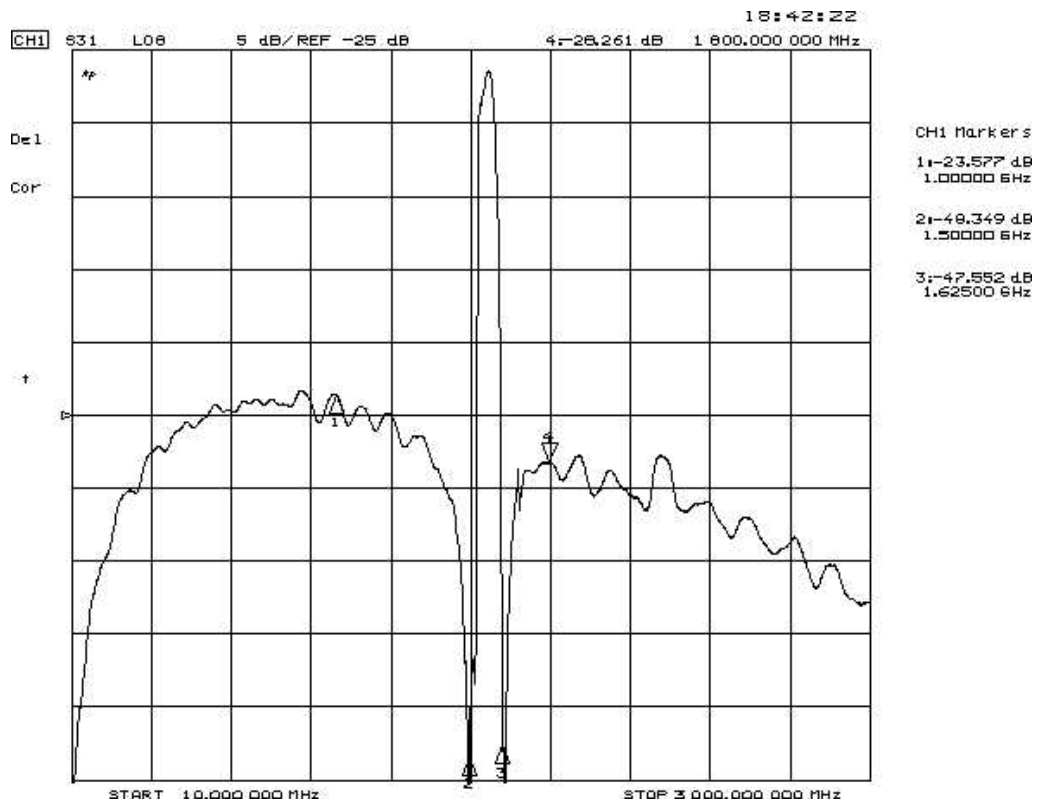
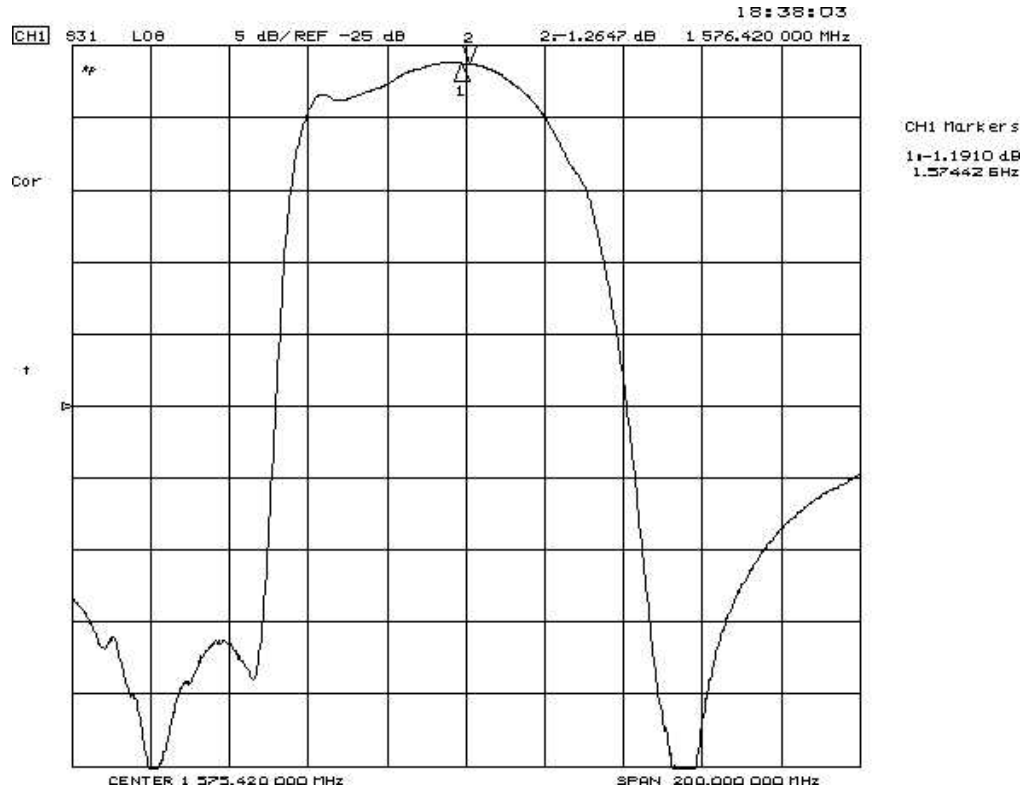


SAW Filter 1575.420MHz
Part No: MA09738

Model: TA0587A
REV. NO.: 3

F. FREQUENCY CHARACTERISTICS:

Transfer function

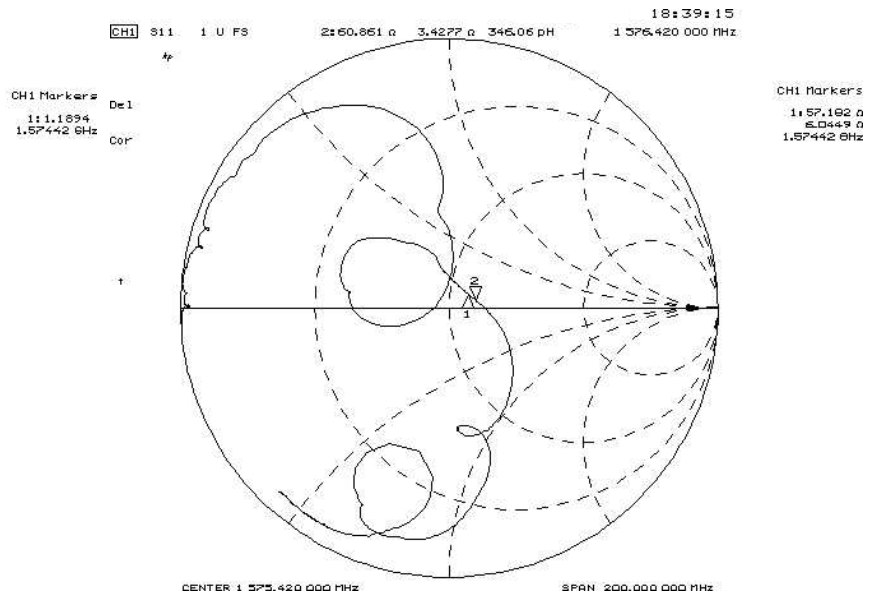
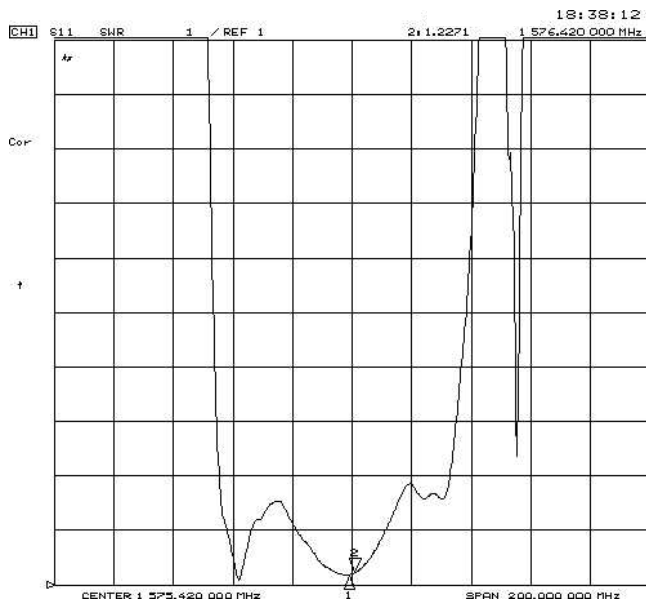


SAW Filter 1575.420MHz
Part No: MA09738

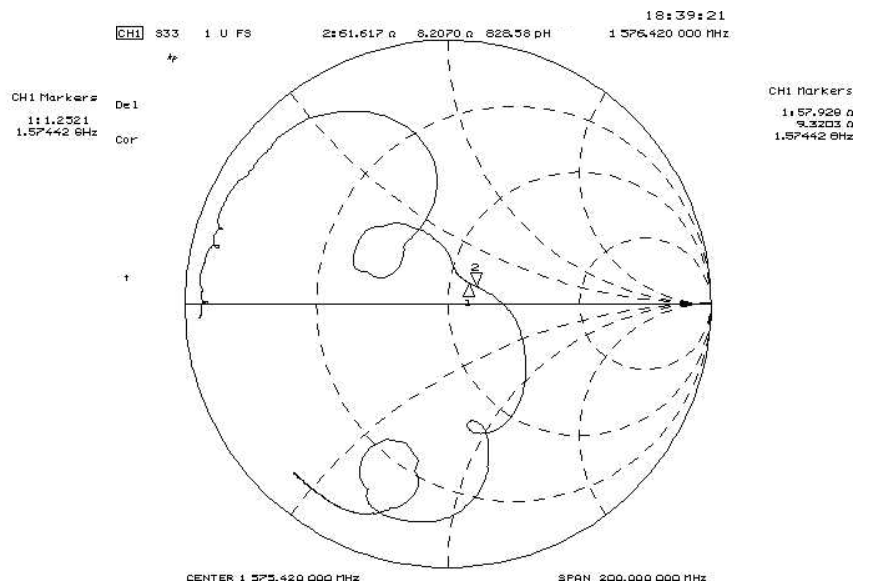
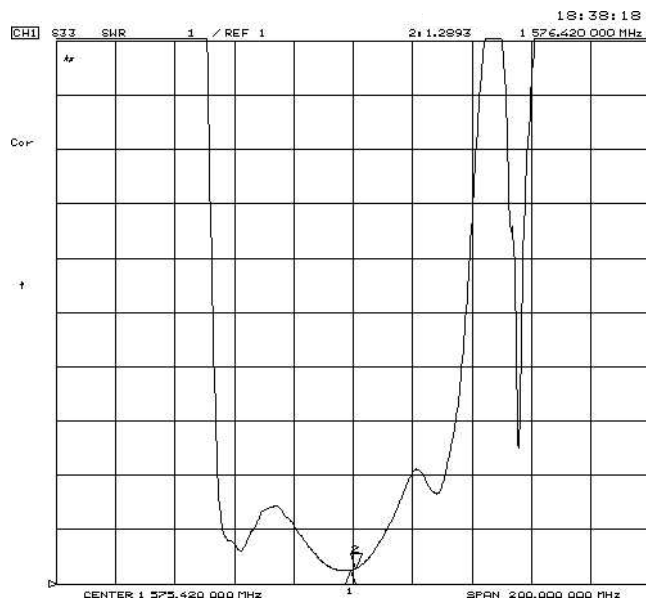
Model: TA0587A
REV. NO.: 3

Reflections Functions:

S11 VSWR



S22 VSWR



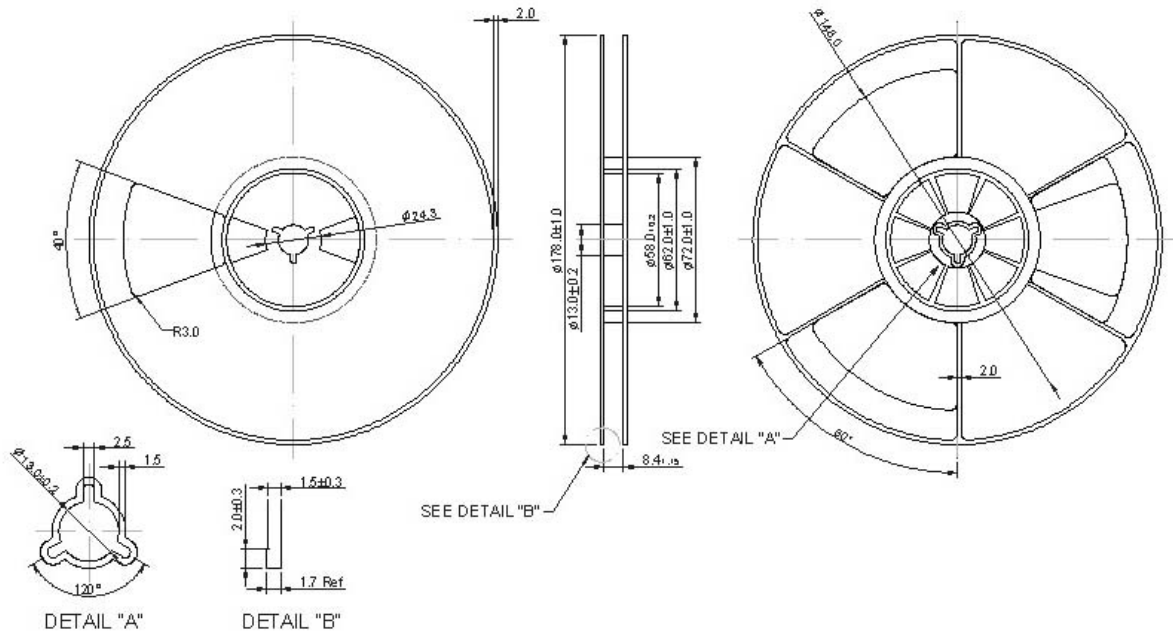
SAW Filter 1575.420MHz
Part No: MA09738

Model: TA0587A
REV. NO.: 3

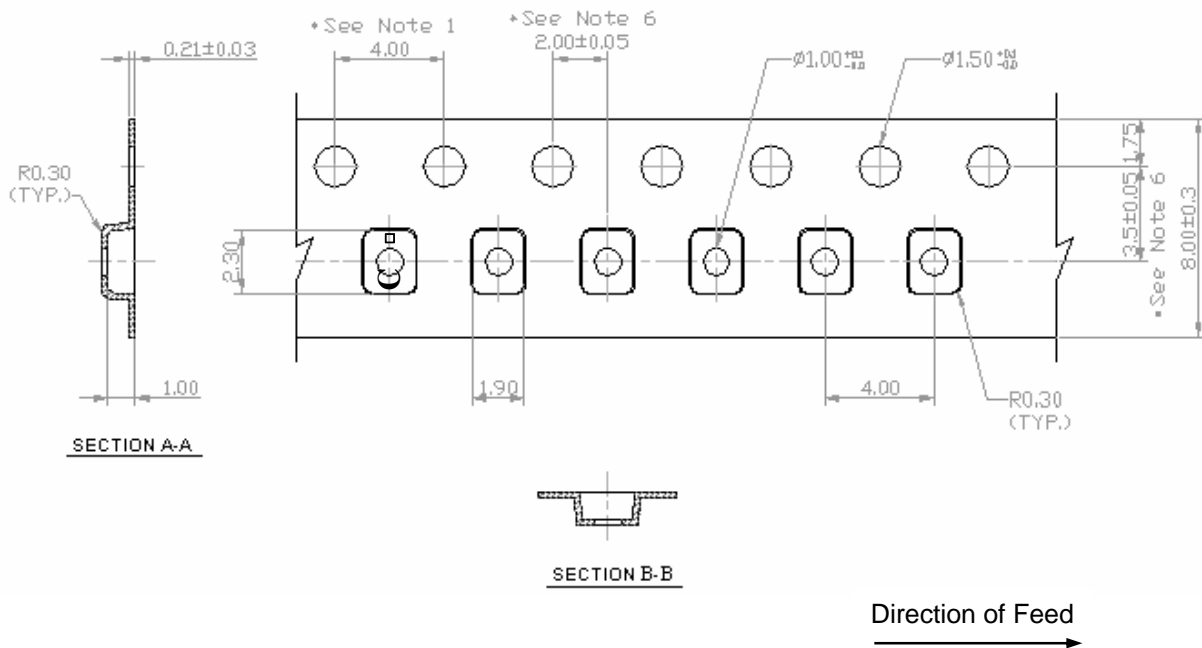
G. PACKING:

1. REEL DIMENSION

(Reel Count : 7"=2000 typ. ; 13"=10000 typ.)



2. TAPE DIMENSION



SAW Filter 1575.420MHz

Model: TA0587A

Part No: MA09738

REV. NO.: 3

H. RECOMMENDED REFLOW PROFILE :

