

**462.53750MHz SAW Filter**

**Model: TA0475A**

**Part No: MA09806**

**REV NO.: 1**

**A. MAXIMUM RATING:**

1. Input Power Level: 0 dBm
2. DC voltage: 5 V
3. Operating Temperature: -40°C to +85°C
4. Storage Temperature: -40°C to +85°C

**B. ELECTRICAL CHARACTERISTICS:**

TA= -40°C to +85°C

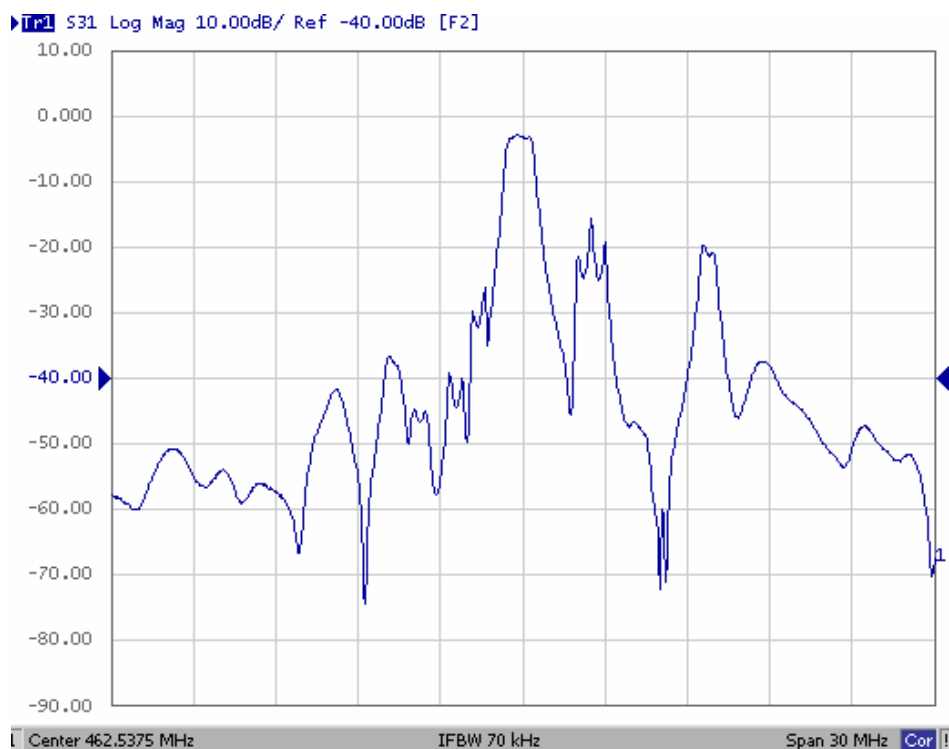
Item	Min.	Typ.	Max.	Note
Center frequency $F_c$ (MHz)	-	462.5375	-	1
Minimum I.L. (dB) $IL_{min}$	-	3	4	
Pass band (relative to $IL_{min}$ ) 462.2875~462.7875 MHz (dB)	-	1	3	1
Pass bandwidth (relative to $IL_{min}$ ) $BW_3$ (KHz)	500	950	-	
Attenuation:(relative to $IL_{min}$ ) (dB ) 10~437.46 MHz (dB )	40	46	-	
437.46~448.26 MHz (dB )	40	45	-	
448.26~461.0 MHz (dB )	15	25	-	
464.2~473.6 MHz (dB )	10	16	-	
473.6~485.6 MHz (dB )	38	42	-	1
485.6~1000 MHz (dB )	40	45	-	

Note1. The standard definitions is in JIS C 6703

**462.53750MHz SAW Filter**  
**Part No: MA09806**

**Model: TA0475A**  
**REV NO.: 1**

**C. FREQUENCY CHARACTERISTICS:**

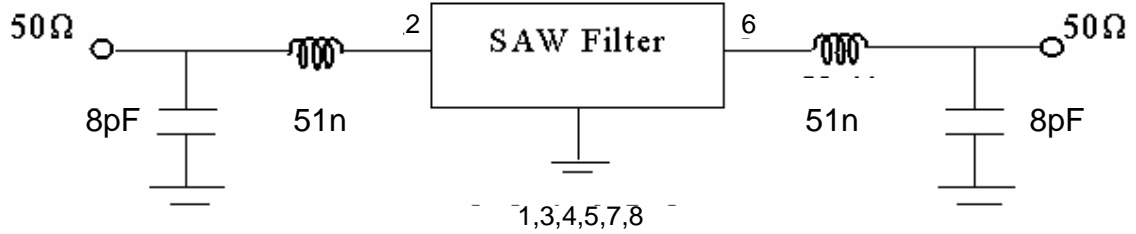


**462.53750MHz SAW Filter**  
**Part No: MA09806**

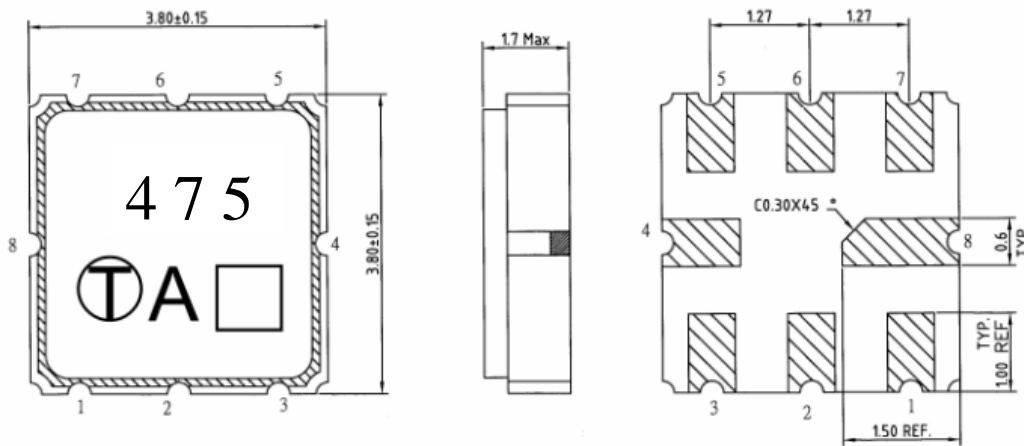
**Model: TA0475A**  
**REV NO.: 1**

**D. MEASUREMENT CIRCUIT:**

HP Network analyzer

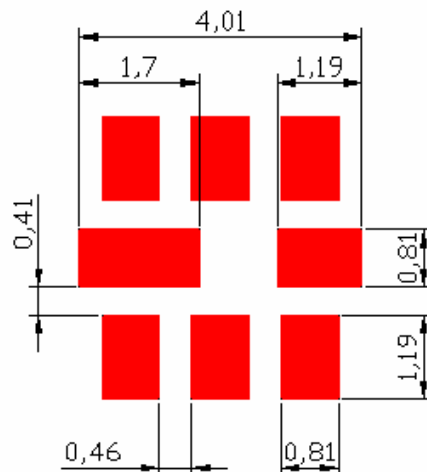


**E. OUTLINE DRAWING:**



Pin2: Input  
 Pin6: Output  
 Pin1,3,4,5,7,8 to be ground  
 □ : Date code  
 Unit : mm

**F. PCB FOOTPRINT**

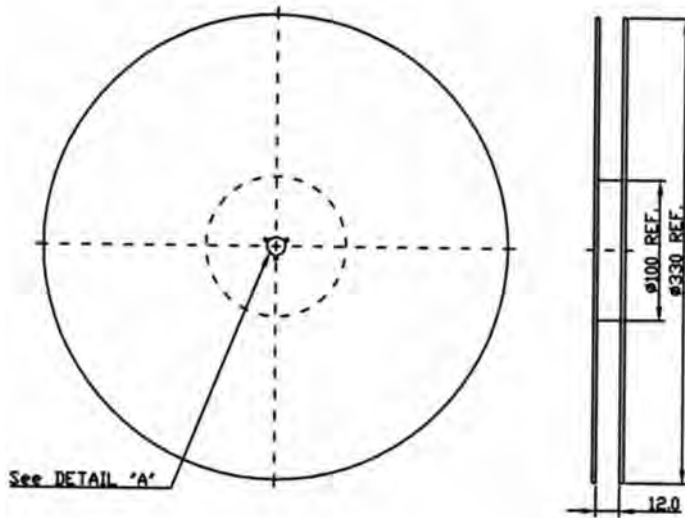


**462.53750MHz SAW Filter**  
**Part No: MA09806**

**Model: TA0475A**  
**REV NO.: 1**

**G. PACKING:**

**1. REEL DIMENSION**



**2. TAPE DIMENSION**

