

1765.0MHz SAW Filter

Model: TA0702A

Part No: MA09880

REV NO.: 1

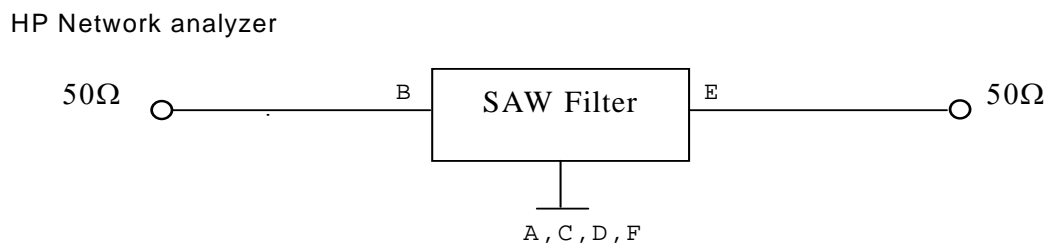
A. MAXIMUM RATING:

1. Input Power Level: 10 dBm
2. DC Voltage : 3V
3. Operating Temperature: -20°C to +75°C
4. Storage Temperature: -40°C to +85°C

B. ELECTRICAL CHARACTERISTICS:

Item	Unit	Min.	Typ.	Max.	Note
Center Frequency Fc	MHz	-	1765	-	-
Insertion Loss (1750 ~ 1780 MHz) IL	dB	-	2	3	-
Amplitude Ripple (1750 ~ 1780 MHz)	dB	-	0.5	1.8	-
VSWR (1750 ~ 1780 MHz)		-	1.45	2	-
Attenuation (Reference level from 0 dB)					
1350 ~ 1380 MHz	dB	30	35.5	-	-
1660 ~ 1690 MHz	dB	28	37.5	-	-
1840 ~ 1870 MHz	dB	30	46	-	-
2150 ~ 2180 MHz	dB	30	42	-	-

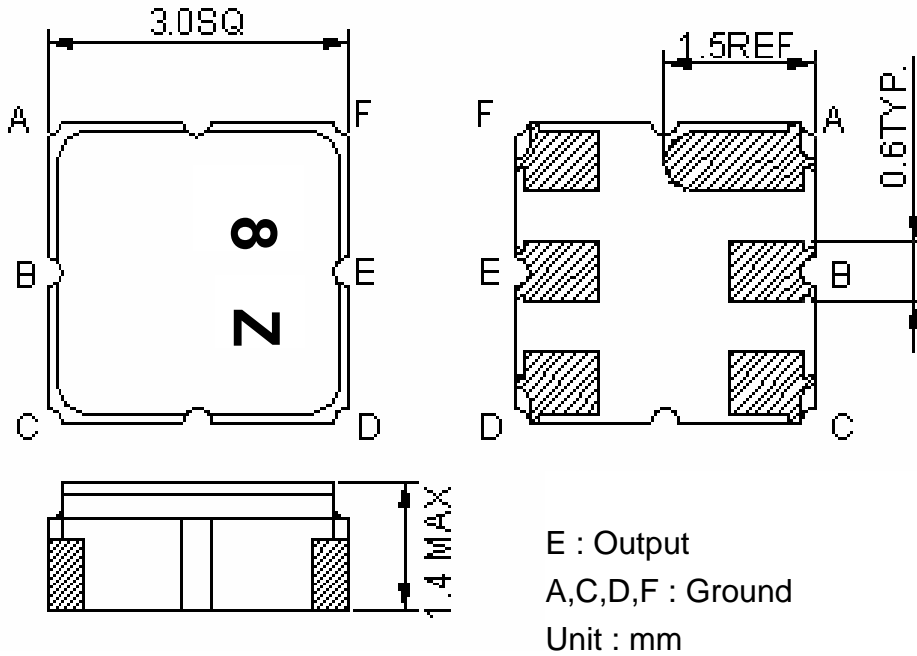
C. MEASUREMENT CIRCUIT:



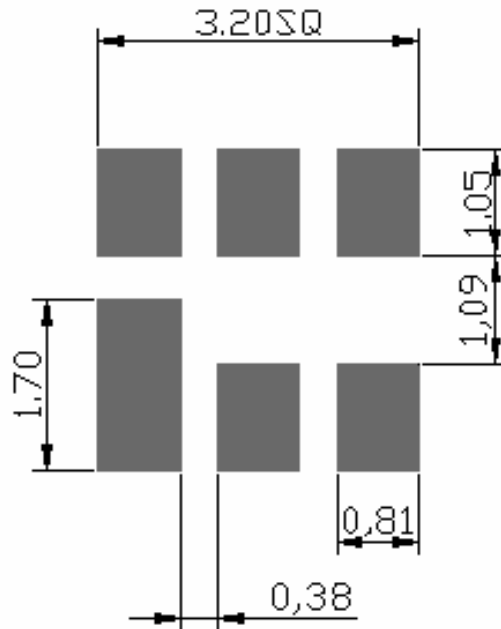
1765.0MHz SAW Filter
Part No: MA09880

Model: TA0702A
REV NO.: 1

D. OUTLINE DRAWING:



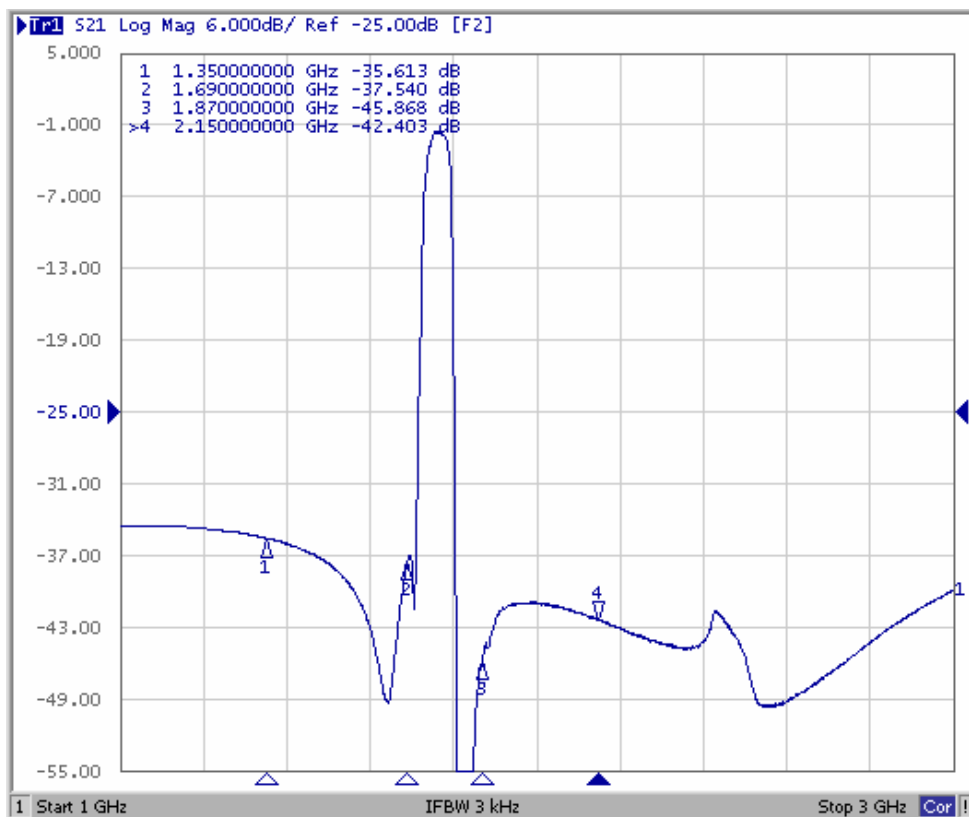
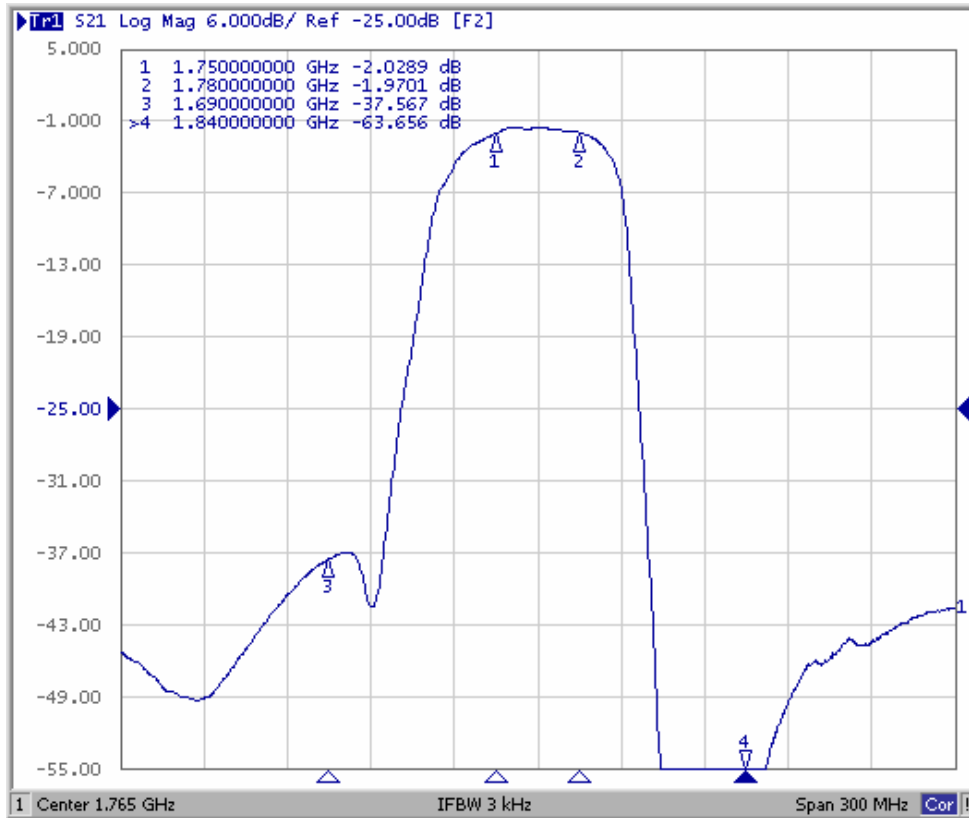
E. PCB FOOTPRINT:



1765.0MHz SAW Filter
Part No: MA09880

Model: TA0702A
REV NO.: 1

F. FREQUENCY CHARACTERISTICS:

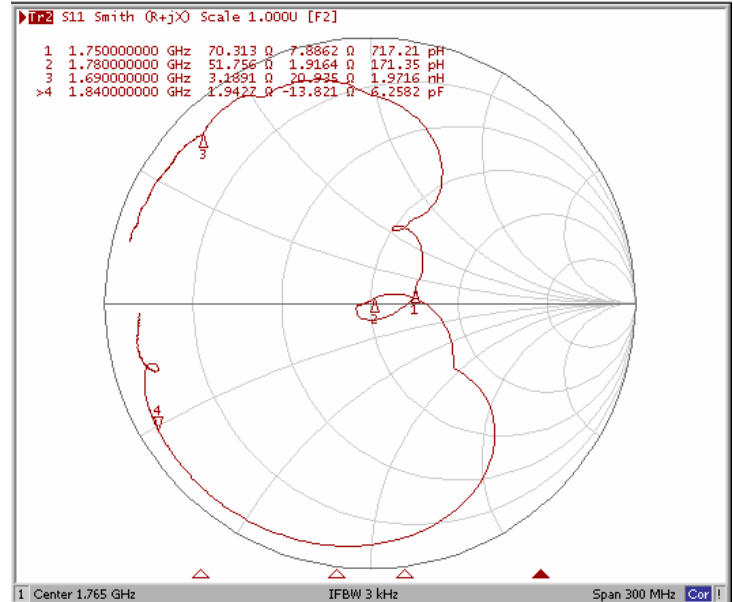
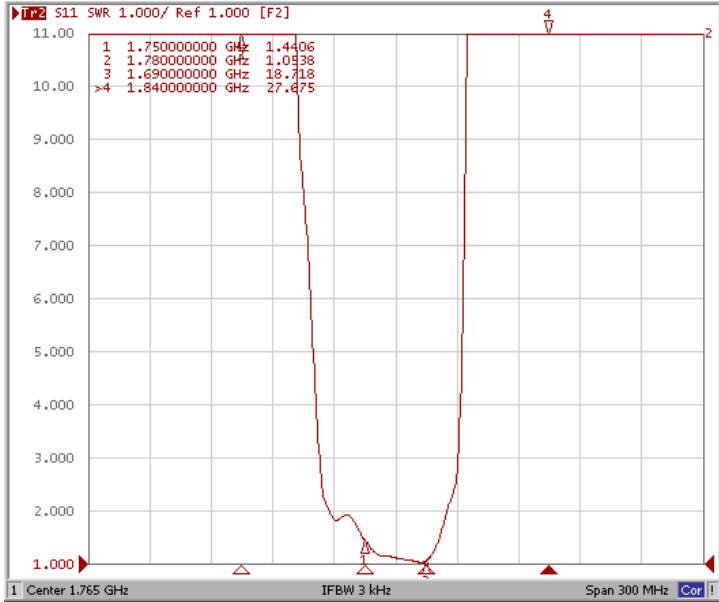


1765.0MHz SAW Filter
Part No: MA09880

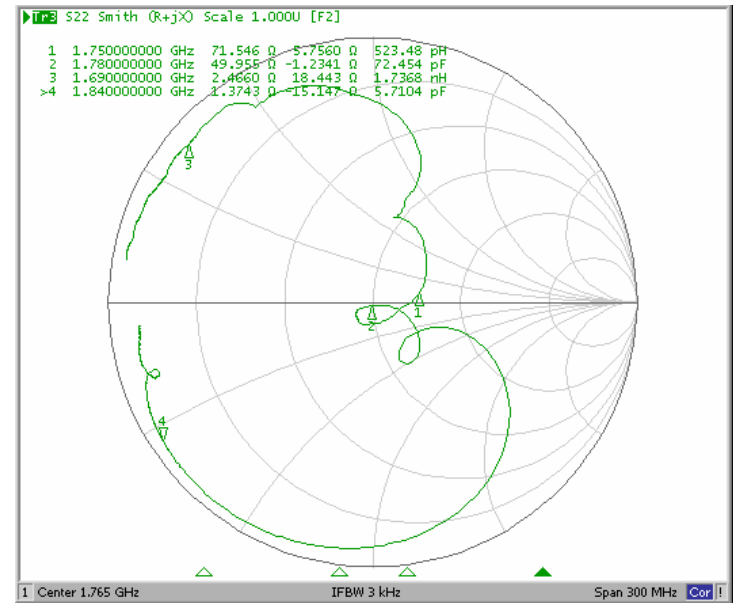
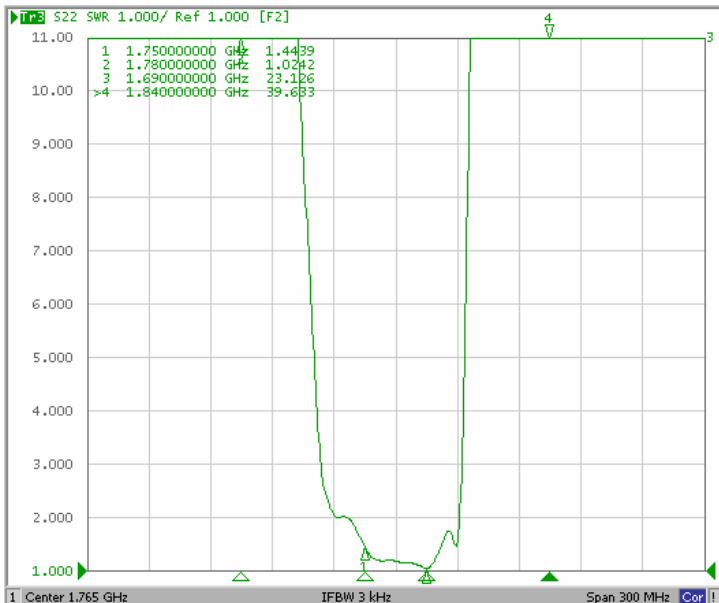
Model: TA0702A
REV NO.: 1

Reflection Functions :

S11



S22

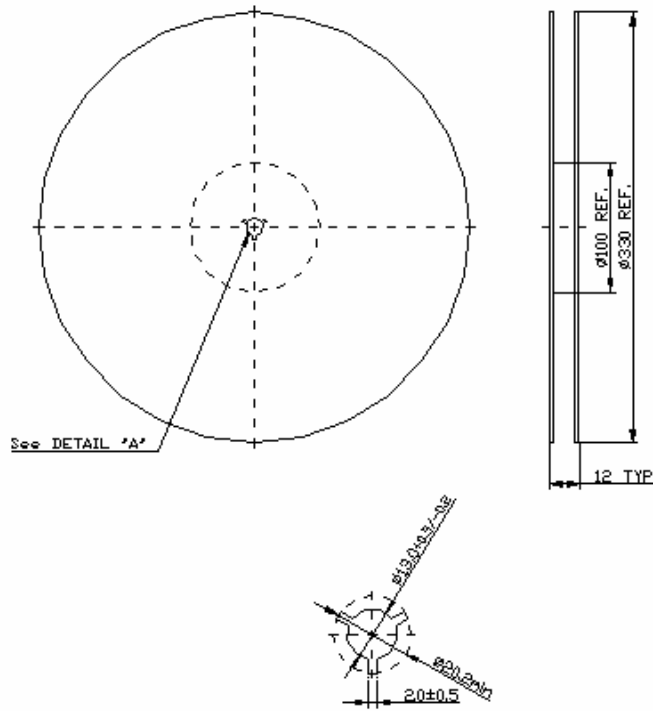


1765.0MHz SAW Filter
Part No: MA09880

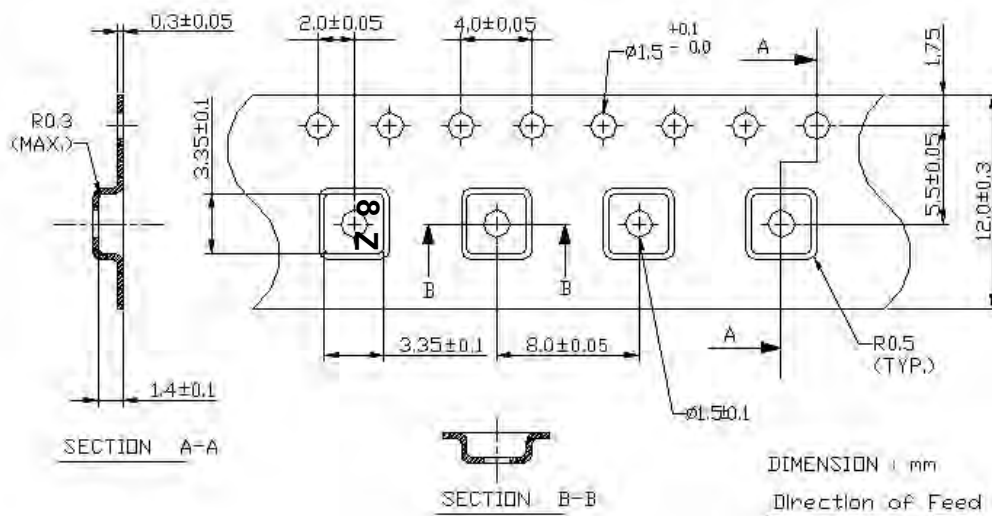
Model: TA0702A
REV NO.: 1

G. PACKING:

1. REEL DIMENSION
 (Reel Count : 7"=1000 ; 13"=3000)



2.TAPE DIMENSION



1765.0MHz SAW Filter

Model: TA0702A

Part No: MA09880

REV NO.: 1

H. RECOMMENDED REFLOW PROFILE :

