

**SAW Filter 240MHz**  
**Part No: MA09923**

**Model: TB0429A**  
**Rev No: 1**

**A. MAXIMUM RATINGS:**

1. Operating Temperature: -20°C to 60°C
2. Storage Temperature: -40°C to 85°C
3. Input Power: 15dBm

**B. ELECTRICAL CHARACTERISTICS:**

Ambient Temperature: 25°C

Characteristics	Value			Note
	Min.	Typ.	Max.	
Center frequency Fc MHz	-	240.0	-	-
Minimum Insertion loss IL (229.75 ~ 250.25MHz) dB	-	11.6	13.0	-
1dB Bandwidth MHz	-	20.6	-	-
3dB Bandwidth MHz	20	23.1	-	-
40dB Bandwidth MHz	-	30.1	32.0	-
Amplitude Ripple (231 ~ 249MHz) dB	-	0.6	1.0	-
Group Delay (229.75 ~ 250.25MHz) nsec	-	55	150	-
Triple transient dB	-	38	-	-
Input VSWR	-	1.4	2.0	-
Absolute delay usec	-	0.54	2.0	-
Phase ripple (PTP) deg	-	18	-	-
Relative Rejection (Reference to Minimum Insertion loss)				
225MHz dB	15	35	-	-
255MHz dB	15	40	-	-
100 ~ 120MHz dB	40	70	-	-
120 ~ 160MHz dB	50	60	-	-
160 ~ 218MHz dB	40	50	-	-
218 ~ 220.5MHz dB	43	50	-	-
260 ~ 400MHz dB	35	42	-	-

**SAW Filter 240MHz**  
**Part No: MA09923**

**Model: TB0429A**  
**Rev No: 1**

**C. FREQUENCY CHARACTERISTICS:**

1. Wide band of Response: (span: 150MHz)

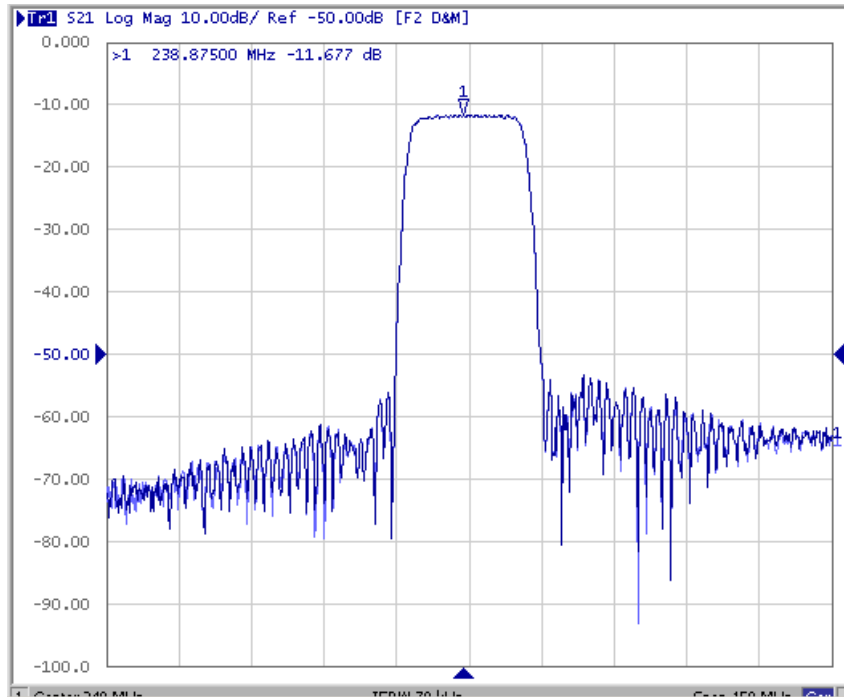


Fig. 1. S21 Response Horizontal: 15MHz/Div Vertical: 10dB/Div

2. Passband of Response: (span: 40MHz)

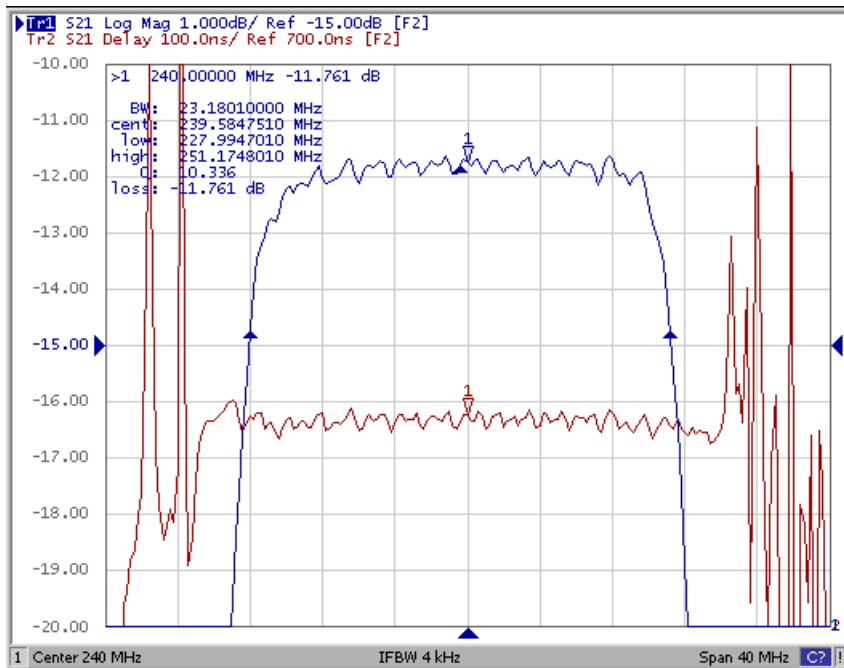


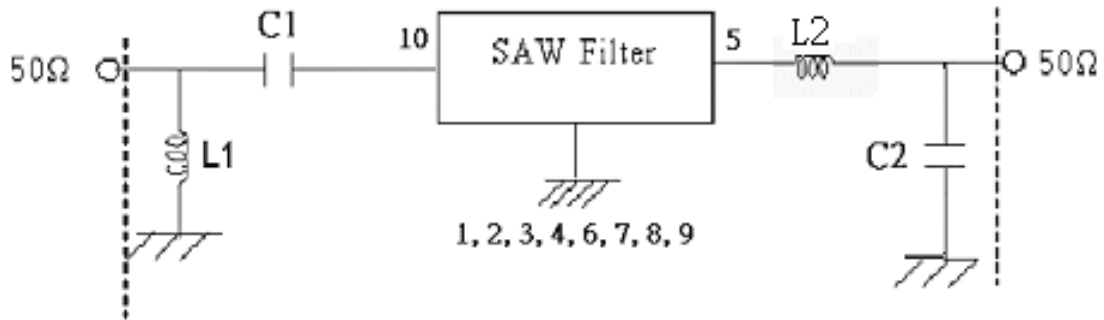
Fig. 2.S21 Response Horizontal: 4MHz/Div Vertical: 1dB/Div

**SAW Filter 240MHz**  
**Part No: MA09923**

**Model: TB0429A**  
**Rev No: 1**

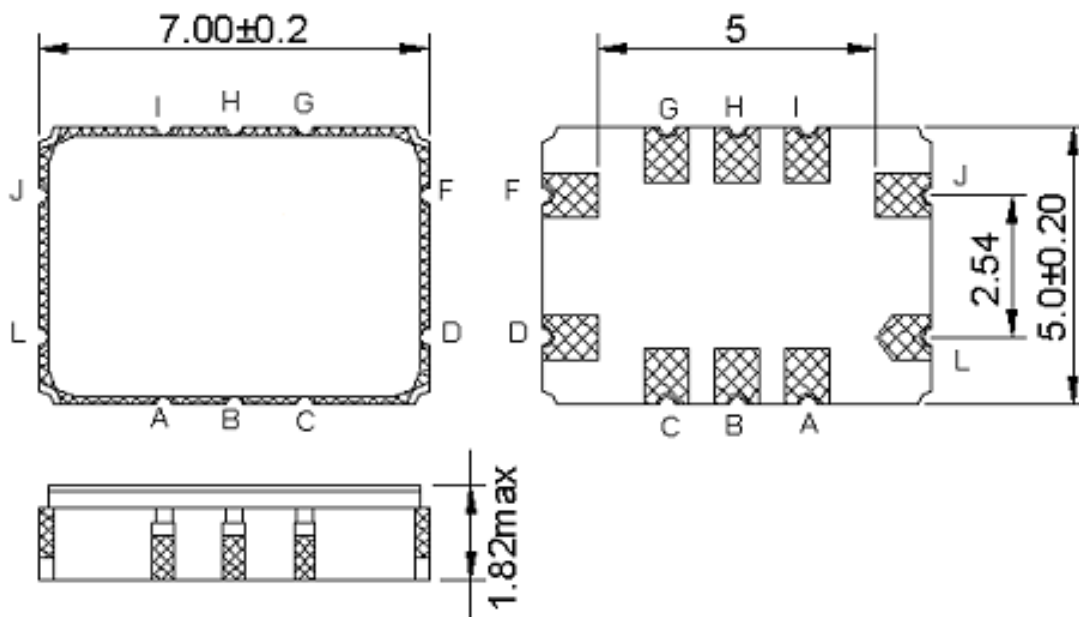
**D. TEST CIRCUIT:**

Network analyzer



$L1 = 15\text{nH}$ ,  $C1 = 45\text{pF}$ ,  $L2 = 3.3\text{nH}$ ,  $C2 = 27\text{pF}$

**E. OUTLINE DRAWING:**



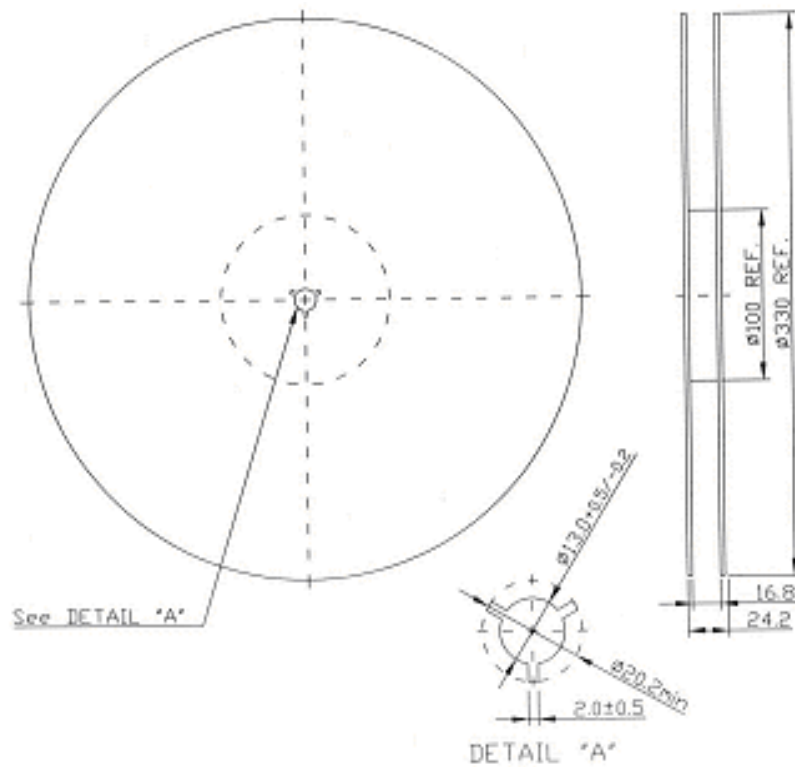
- 10: Unbalanced Input
  - 5: Unbalanced Output
  - 1, 2, 3, 4, 6, 7, 8, 9: To be Ground
- Unit: mm

**SAW Filter 240MHz**  
**Part No: MA09923**

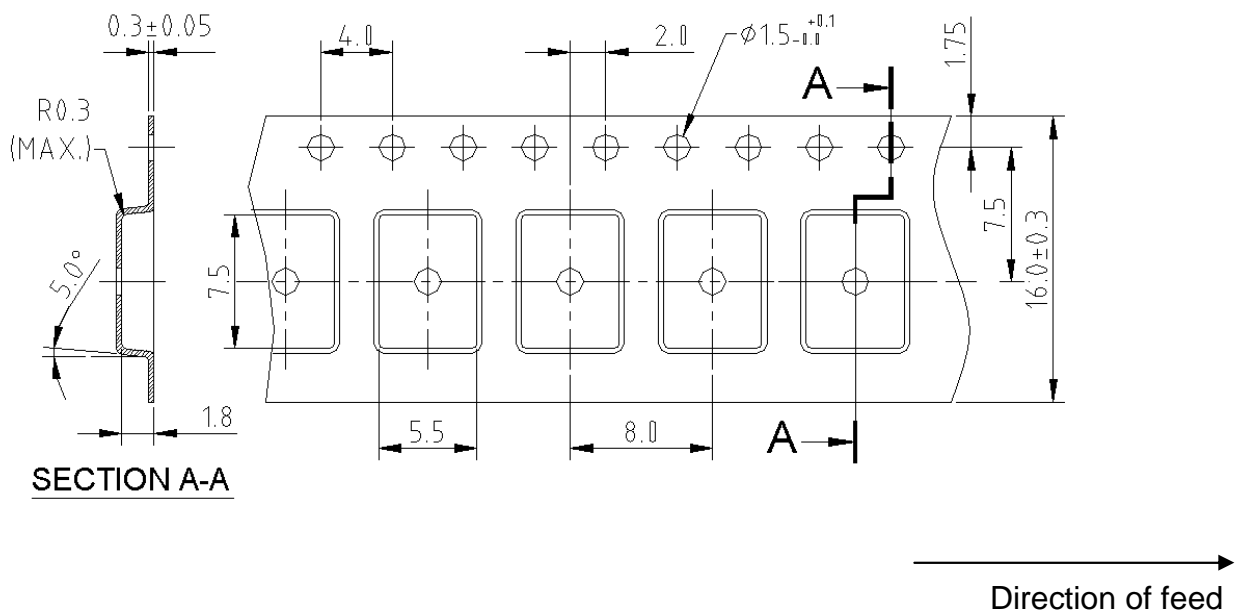
**Model: TB0429A**  
**Rev No: 1**

**F. PACKING:**

**1. REEL DIMENSION**



**2. TAPE DIMENSION**



**SAW Filter 240MHz**  
**Part No: MA09923**

**Model: TB0429A**  
**Rev No: 1**

**G. RECOMMENDED REFLOW PROFILE:**

