
SAW Filter 525.0MHz

Model: TB0651A

Part No: MP01099

REV. NO.: 2

A. MAXIMUM RATING:

1. Storage Temperature: -40°C to 85°C
2. Operating Temperature: -20°C to 70°C

B. CHARACTERISTICS:

Item	Unit	Min.	Type.	Max.
Center frequency, Fc	MHz	-	525	-
Insertion Loss 498 to 552 MHz	dB	-	15.4	16.5
Passband Variation 498 to 552 MHz	MHz	-	1.5	3
Relative Attenuation at 454MHz	dB	20	42	-
Relative Attenuation at 558MHz	dB	-	34	-
Temp Coefficient	ppm/K	-	-76	-

SAW Filter 525.0MHz

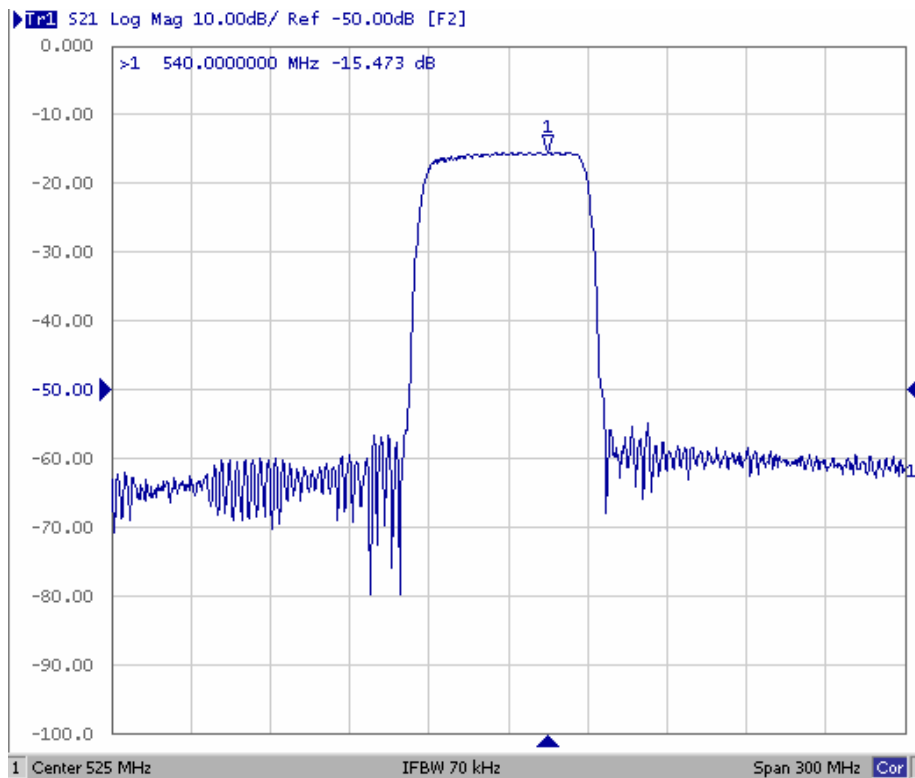
Model: TB0651A

Part No: MP01099

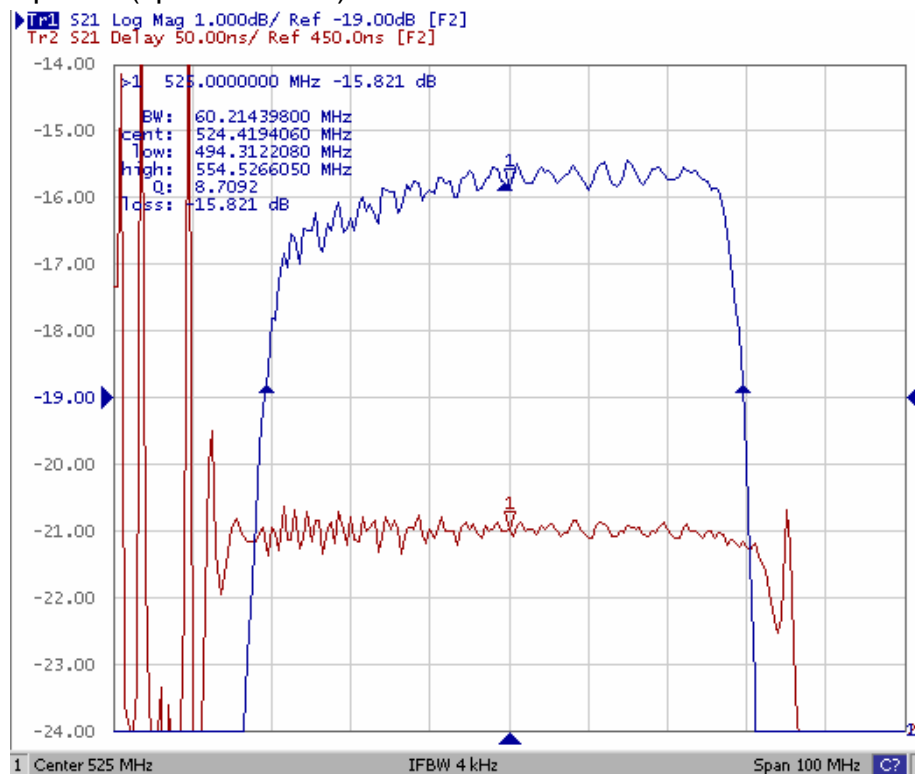
REV. NO.: 2

C. FREQUENCY CHARACTERISTICS:

Wideband Response:(span 300MHz)



Passband Response:(span 100MHz)



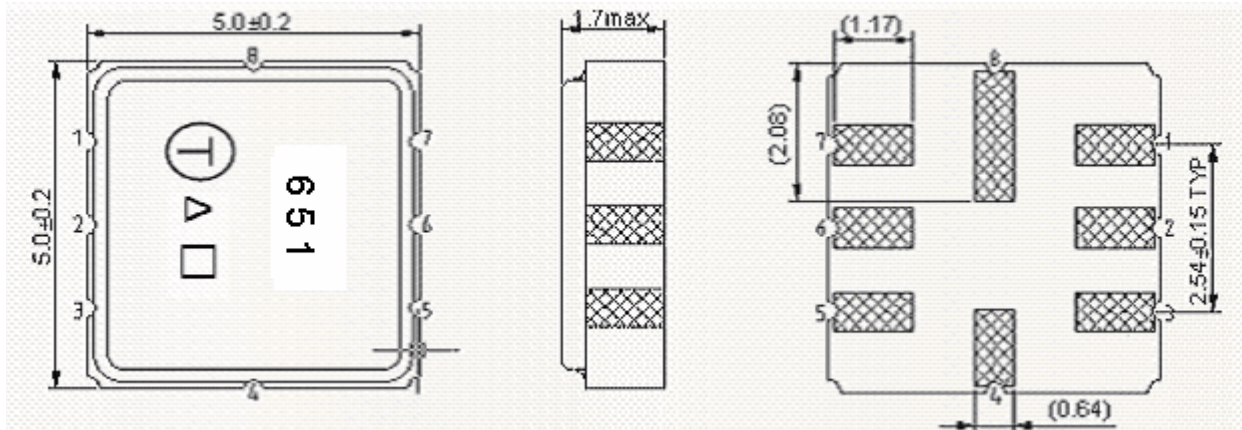
SAW Filter 525.0MHz

Model: TB0651A

Part No: MP01099

REV. NO.: 2

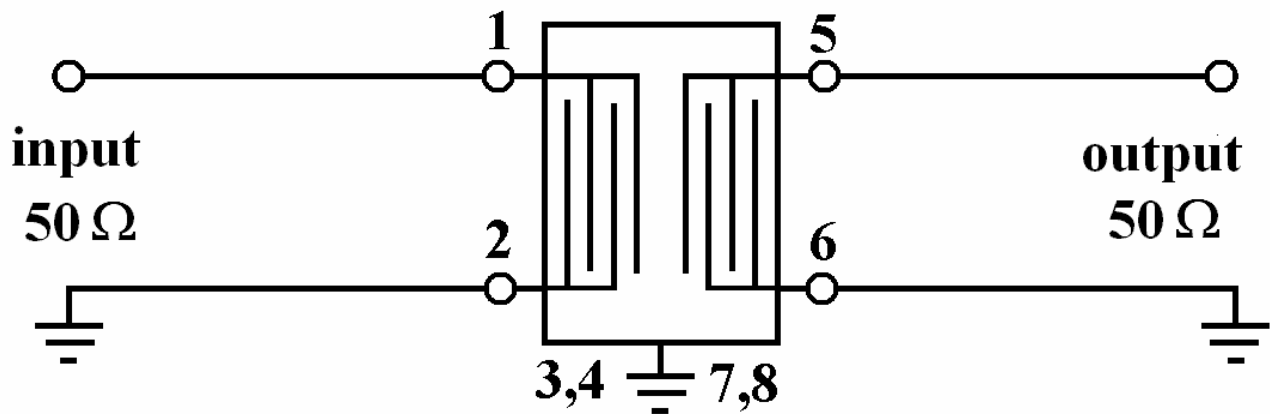
D. OUTLINE DRAWING:



- Pin 1 – Input
- Pin 2 – Input Ground
- Pin 5 – Output
- Pin 6 – Output Ground
- Pin 3,4,7,8 – Ground

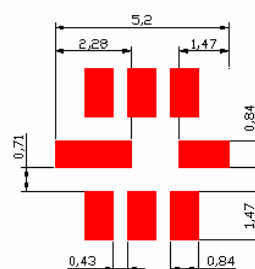
E. MATCHING CIRCUIT:

50 Ohm single ended Input - 50 Ohm single ended Output



$L1=8.2\text{nH}$; $C1=2\text{pF}$; $C2=3\text{pF}$

PCB FOOTPRINT:

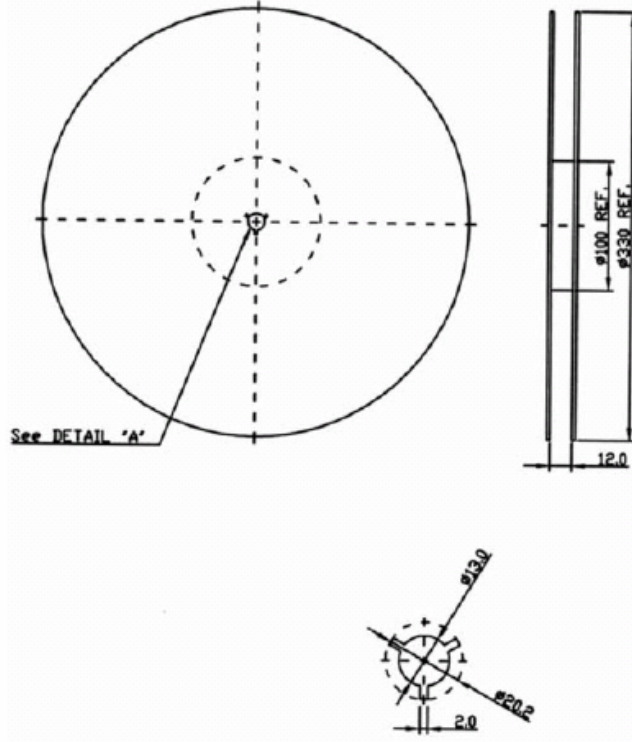


SAW Filter 525.0MHz
Part No: MP01099

Model: TB0651A
REV. NO.: 2

G. PACKING:

1. REEL DIMENSION:



2. TAPE DIMENSION:

