

---

**SAW Filter 81.0MHz**

**Model: TB0646A**

**Part No: MP01100**

**REV. NO.: 1**

---

**A. MAXIMUM RATING:**

1. Storage Temperature: -40°C to 85°C
2. Operating Temperature: -20°C to 70°C

**B. CHARACTERISTICS:**

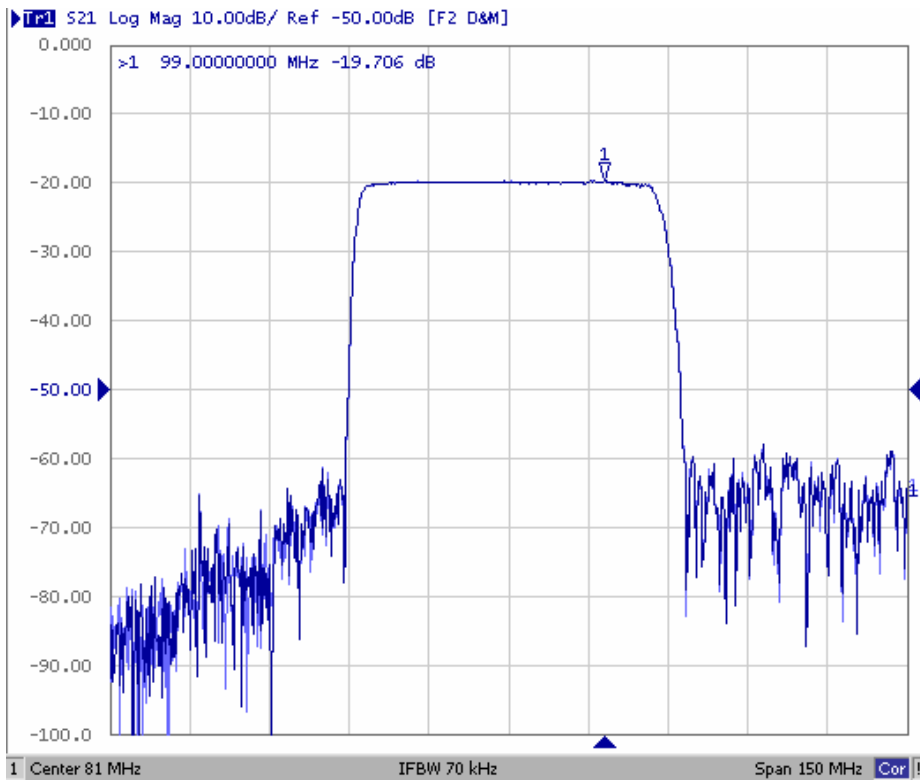
Item	Unit	Min.	Typ.	Max.
Center frequency, Fc	MHz	-	81	-
Insertion Loss 54 to 108 MHz	dB	-	19.7	25
Passband Variation 54 to 108 MHz	MHz	-	1.0	3.0
Relative Attenuation at 42 MHz	dB	10	46	-
Relative Attenuation at 114 MHz	dB	10	40	-
Temp Coefficient	ppm/K	-	-76	-

**SAW Filter 81.0MHz**  
**Part No: MP01100**

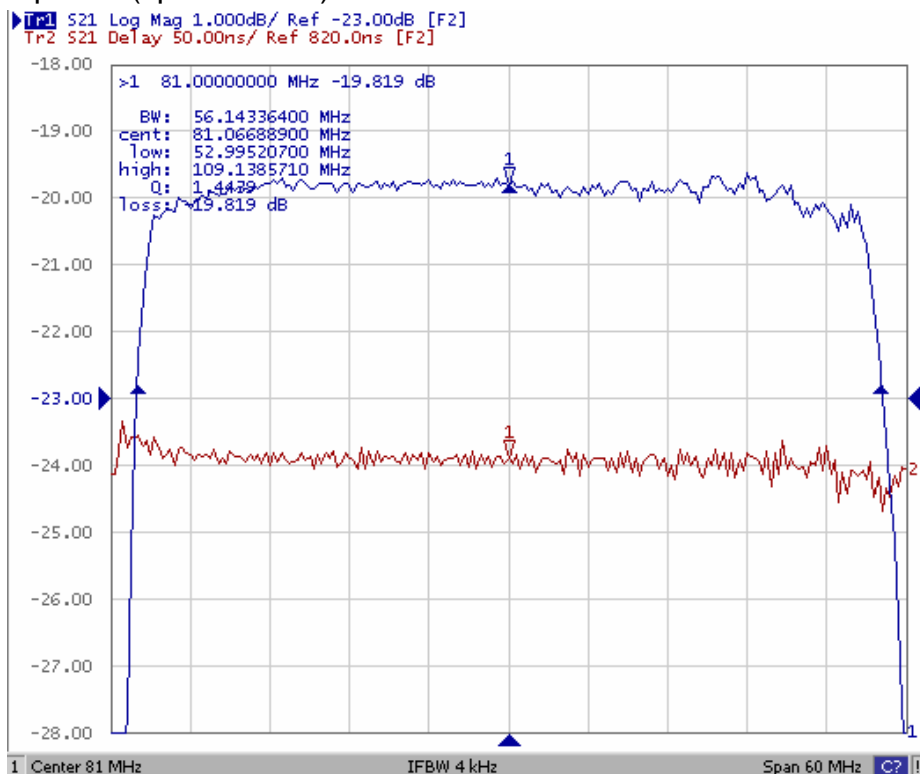
**Model: TB0646A**  
**REV. NO.: 1**

**C. FREQUENCY CHARACTERISTICS:**

Wideband Response (span 150MHz)



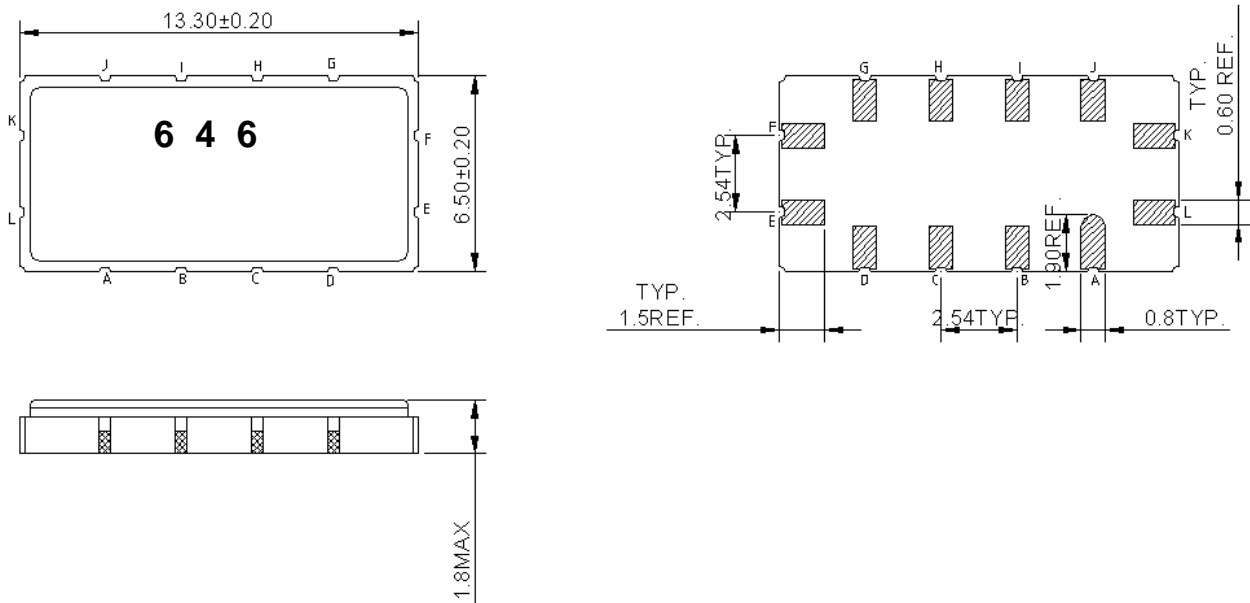
Passband Response (span 60MHz)



**SAW Filter 81.0MHz**  
**Part No: MP01100**

**Model: TB0646A**  
**REV. NO.: 1**

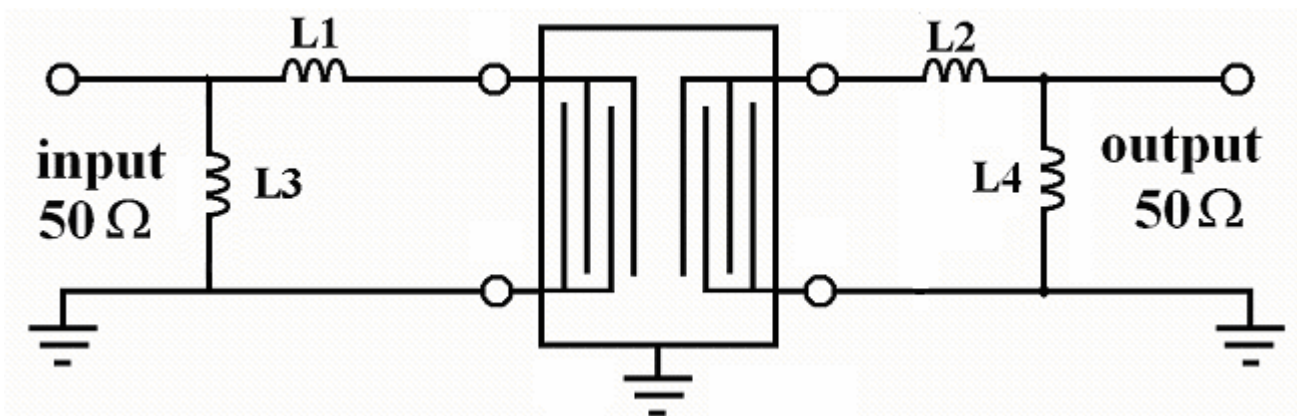
**D. OUTLINE DRAWING:**



- Pin K: RF input
- Pin E: RF output
- Pin A, B, C, D, F, G, H, I, J, L: To be Ground

**E. MATCHING CIRCUIT:**

50 Ohm single ended Input - 50 Ohm single ended Output



L1=27 nH; L2=27nH L3=180 nH; L4=180nH

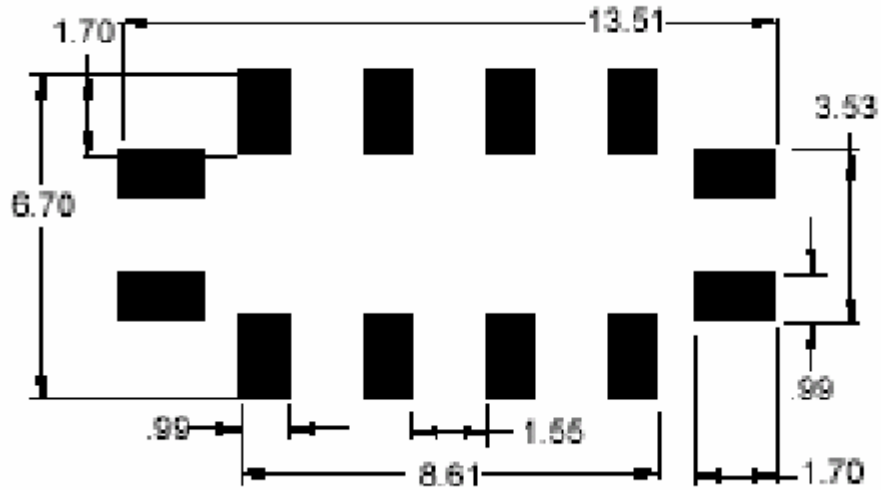
**SAW Filter 81.0MHz**

**Model: TB0646A**

**Part No: MP01100**

**REV. NO.: 1**

**F. PCB FOOTPRINT:**



Unit: mm

