
SAW Filter 159.0MHz

Model: TB0647A

Part No: MP01101

REV. NO.: 1

A. MAXIMUM RATING:

- 1.Storage Temperature: -40°C to 85°C
- 2.Operating Temperature: -20°C to 70°C

B. CHARACTERISTICS:

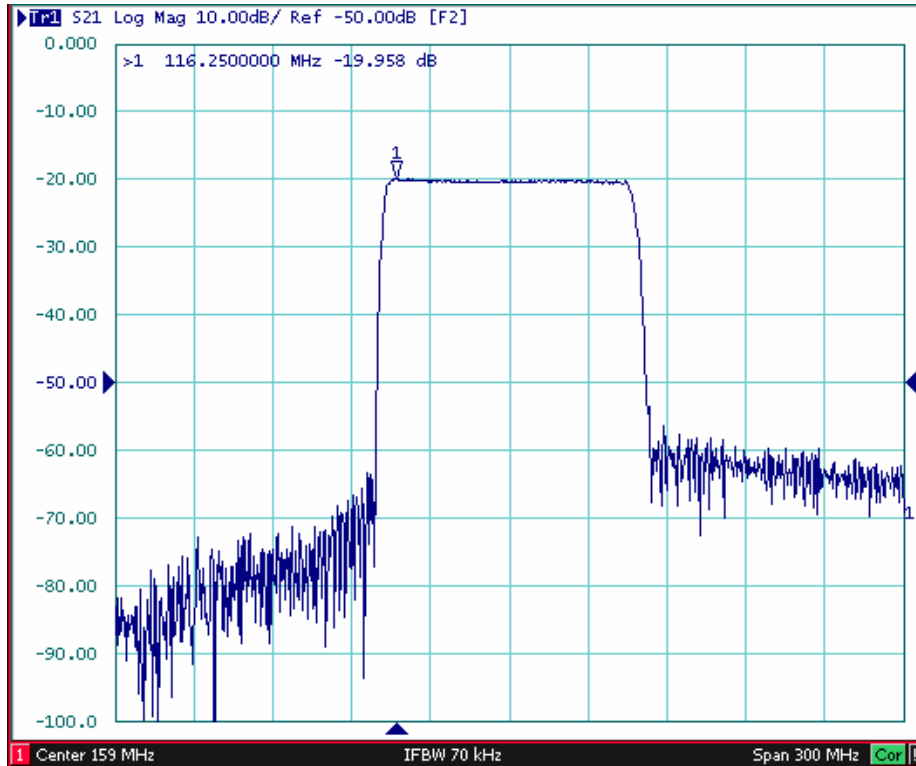
Item	Unit	Min.	Type.	Max.
Center frequency, Fc	MHz	-	159	-
Insertion Loss 114 to 204 MHz	dB	-	20	23
Passband Variation 114 to 204 MHz	MHz	-	0.8	3
Relative Attenuation at 70 MHz	dB	20	50	-
Relative Attenuation at 210 MHz	dB	-	21	-
Temp Coefficient	ppm/K	-	-76	-

SAW Filter 159.0MHz
Part No: MP01101

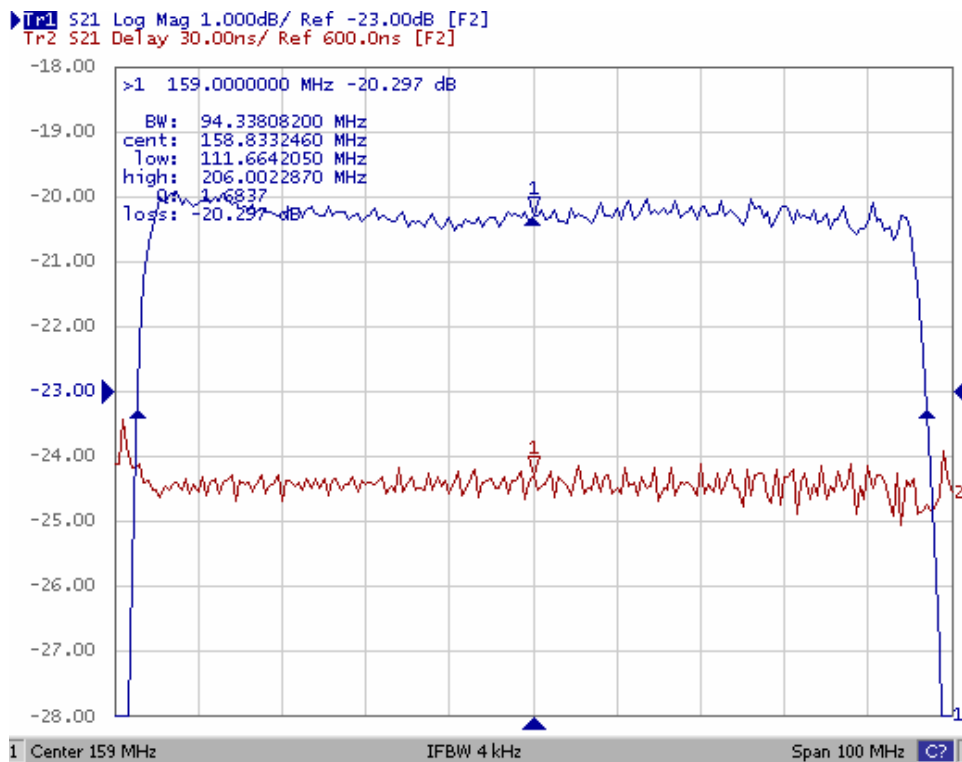
Model: TB0647A
REV. NO.: 1

C. FREQUENCY CHARACTERISTICS:

Wideband Response:(span 300MHz)



Passband Response:(span 100MHz)



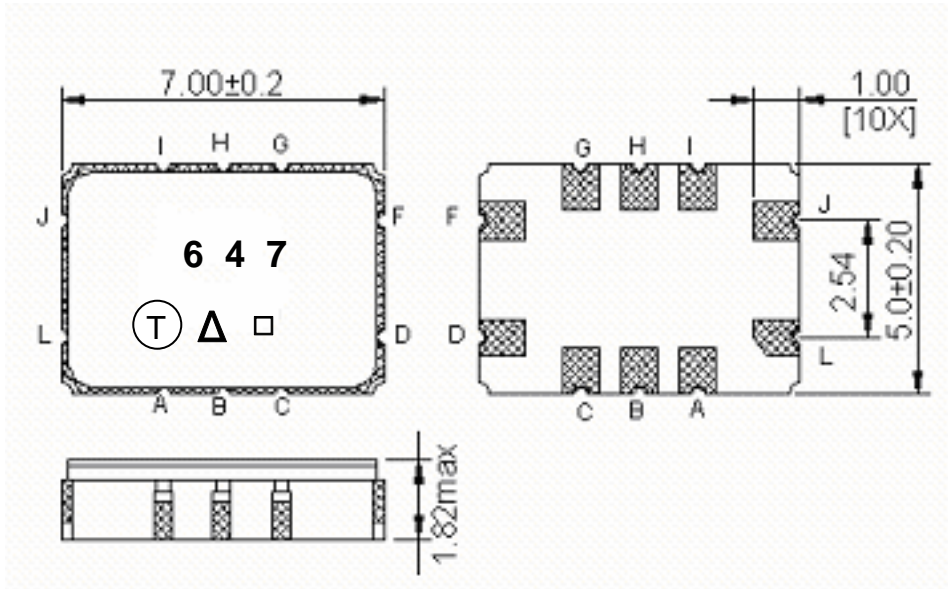
SAW Filter 159.0MHz

Model: TB0647A

Part No: **MP01101**

REV. NO.: 1

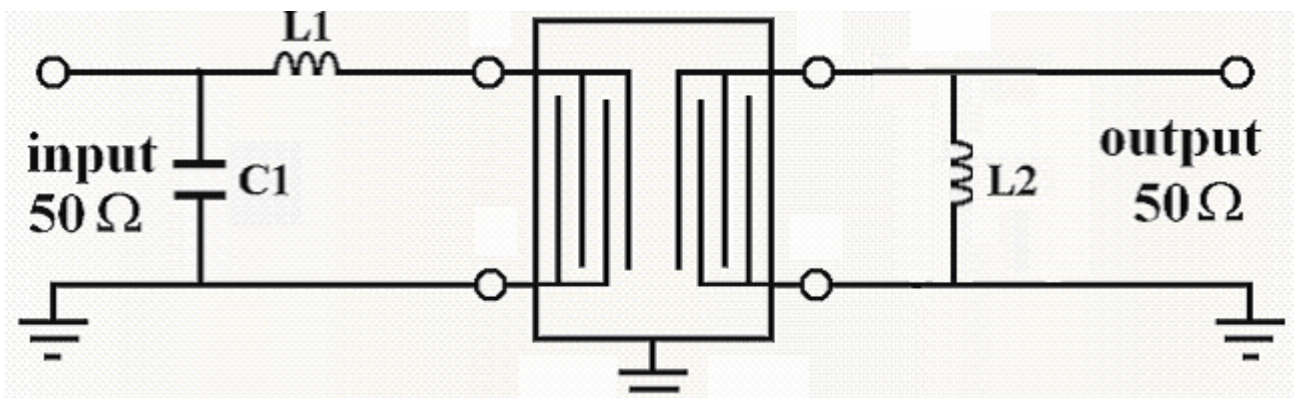
D. OUTLINE DRAWING:



- Pin J –RF input
- Pin D –RF output
- Pin A,B,C,F,G,H,I,L - Ground

E. MATCHING CIRCUIT:

50 Ohm single ended Input - 50 Ohm single ended Output



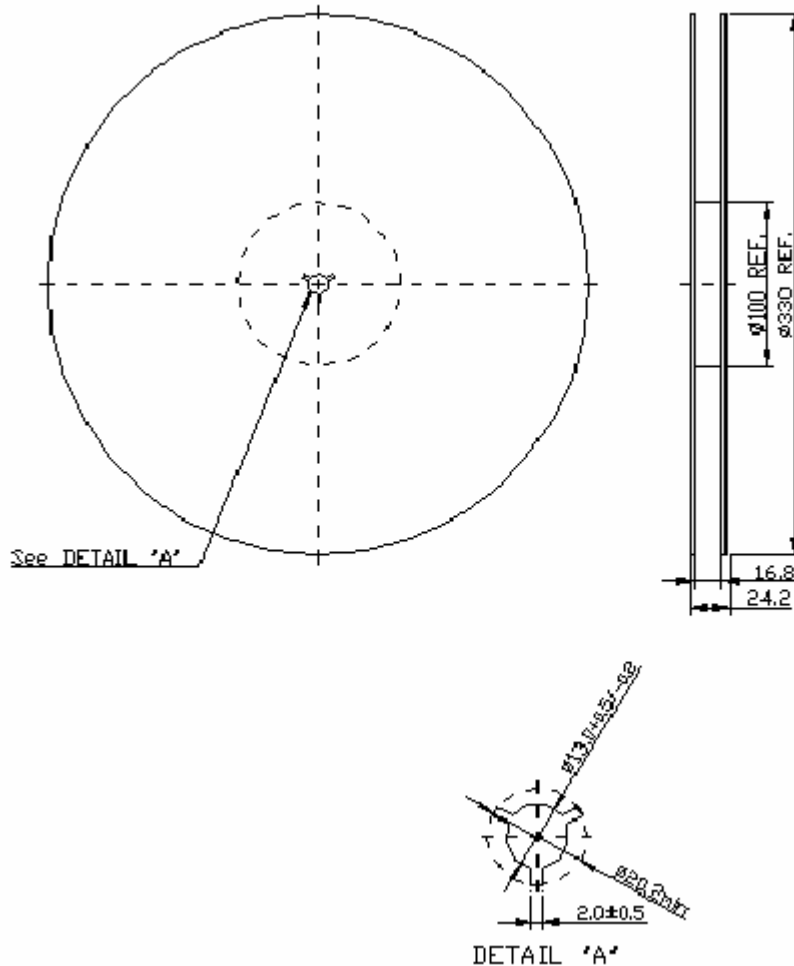
L1=47nH;L2=39nH;C1=39pF

SAW Filter 159.0MHz
Part No: MP01101

Model: TB0647A
 REV. NO.: 1

F. PACKING:

1. REEL DIMENSION



2. TAPE DIMENSION

