
SAW Filter 447.0MHz

Model: TB0650A

Part No: MP01104

REV. NO.:1

A. MAXIMUM RATING:

1. Storage Temperature: -40°C to 85°C
2. Operating Temperature: -20°C to 70°C

B. CHARACTERISTICS:

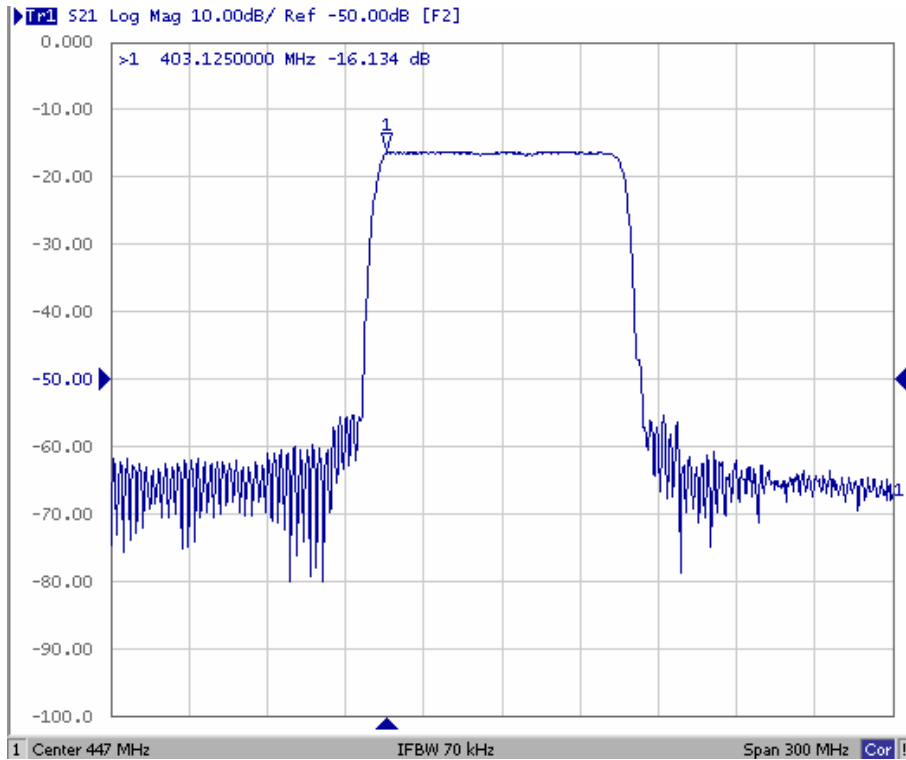
Item	Unit	Min.	Typ.	Max.
Center frequency, Fc	MHz	-	447	-
Insertion Loss 402 to 492 MHz	dB	-	16.1	17
Passband Variation 402 to 492 MHz	MHz	-	1.4	3
Relative Attenuation at 358MHz	dB	20	45	-
Relative Attenuation at 498MHz	dB	-	25	-
Temp Coefficient	ppm/K	-	-76	-

SAW Filter 447.0MHz
Part No: MP01104

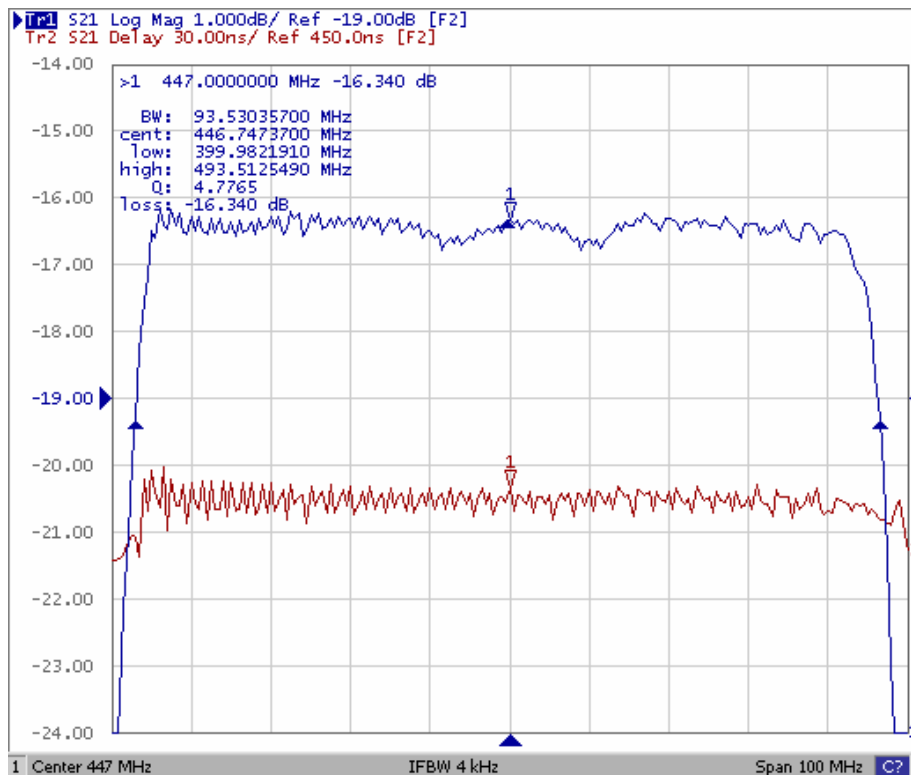
Model: TB0650A
REV. NO.:1

C. FREQUENCY CHARACTERISTICS:

Wideband Response:(span 300MHz)



Passband Response:(span 100MHz)



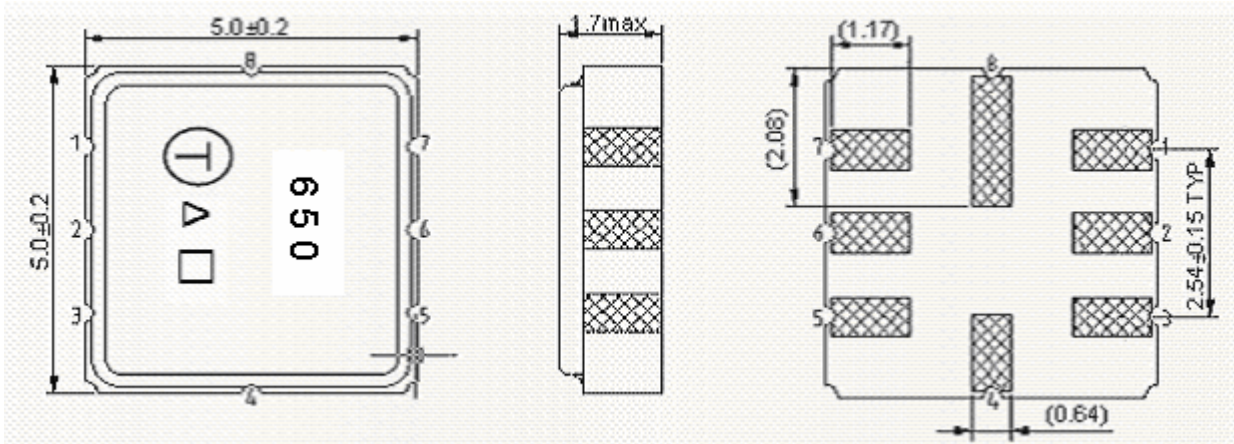
SAW Filter 447.0MHz

Model: TB0650A

Part No: MP01104

REV. NO.:1

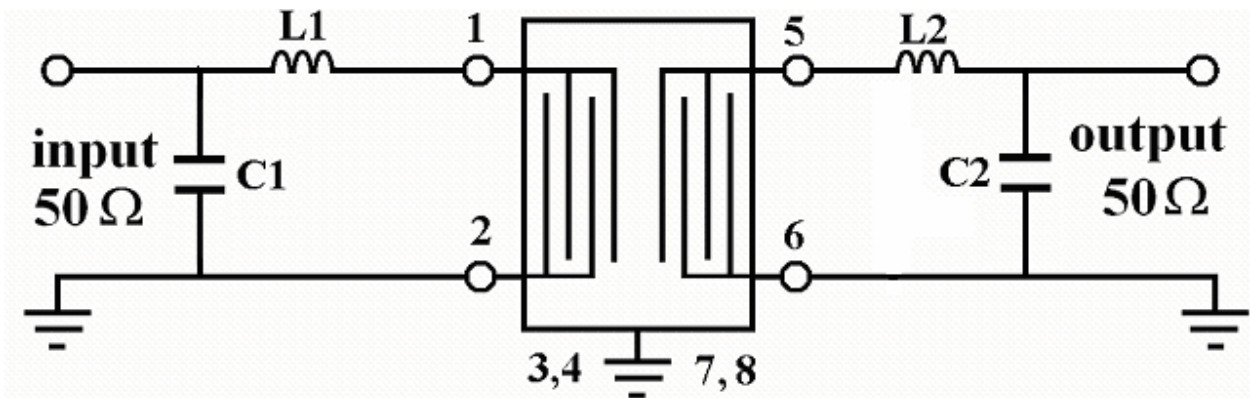
D. OUTLINE DRAWING:



- | | |
|----------------------|-----------------------|
| Pin 1 – Input | Pin 6 – Output Ground |
| Pin 2 – Input Ground | Pin 3,4,7,8 – Ground |
| Pin 5 – Output | |

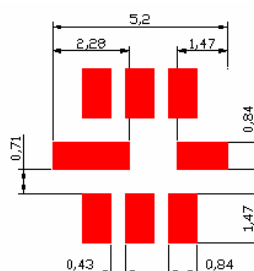
E. MATCHING CIRCUIT:

50 Ohm single ended Input - 50 Ohm single ended Output



L1=18nH; L2=18nH; C1=6pF; C2=4.7pF

F. PCB FOOTPRINT:

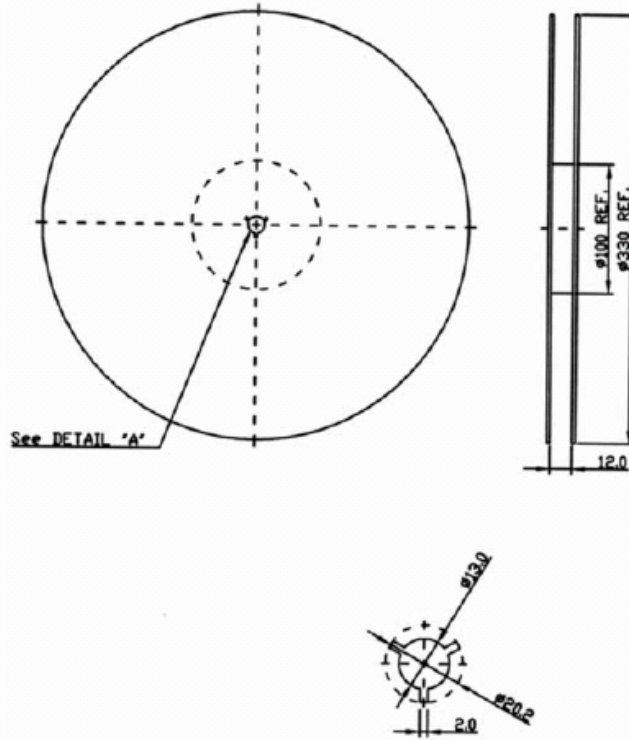


SAW Filter 447.0MHz
Part No: MP01104

Model: TB0650A
 REV. NO.:1

G. PACKING:

1. REEL DIMENSION:



2. TAPE DIMENSION:

