

SAW Filter 201.02MHz

Model: TB0592A

Part No: MP01168

REV NO.: 2

A. MAXIMUM RATING:

1. Operating Temperature: 0°C to 70°C
2. Storage Temperature: -40°C to 85°C
3. Input power Level: 10dBm

B. CHARACTERISTICS:

1. Ambient Temperature : 25°C
2. Terminating Source Impedance: Single ended 50 ohm or Balanced 200 ohm
3. Terminating Load Impedance: Single ended 50 ohm or Balanced 200 ohm

Item	Unit	Min.	Typ.	Max.
Center frequency, Fc	MHz	-	201.02	-
Insertion Loss, IL	dB	-	4.3	6.0
3 dB Bandwidth	kHz	-	358	-
Passband Ripple (Fc ± 80kHz)	dB	-	±0.36	±1.0
Absolute group delay	µS	-	2.30	-
Group Delay Variation (Fc ± 80kHz)	µS	-	1.08	1.50
Attenuation:(Reference level from minimum insertion loss)		dB		
Fc ±200kHz ... Fc ±300kHz	dB	3.0	6.2	-
Fc ±300kHz ... Fc ±400kHz	dB	13	26	-
Fc ±400kHz ... Fc ±700kHz	dB	20	33	-
Fc ±700kHz ... Fc ±1600kHz	dB	27	40	-
Fc ±1600kHz ... Fc ±3000kHz	dB	30	38	-
Fc ±3000kHz ... Fc ±6000kHz	dB	33	48	-
Fc ±6000kHz ... Fc ±35000kHz	dB	40	48	-

SAW Filter 201.02MHz

Model: TB0592A

Part No: MP01168

REV NO.: 2

C. FREQUENCY CHARACTERISTICS:

(1) S21 Response:

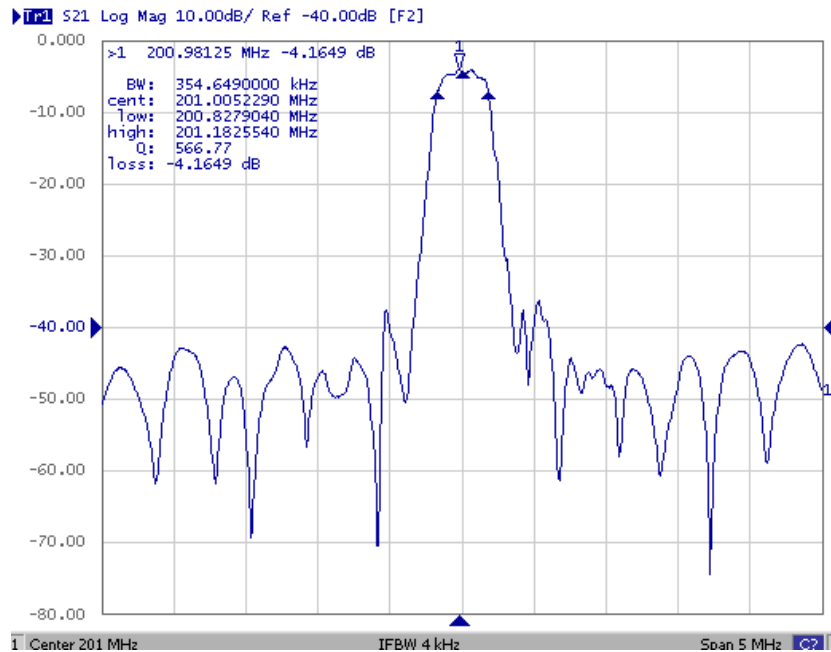


Fig1. Horizontal: 0.5MHz/Div Vertical: 10dB/Div

(2) Passband Response:

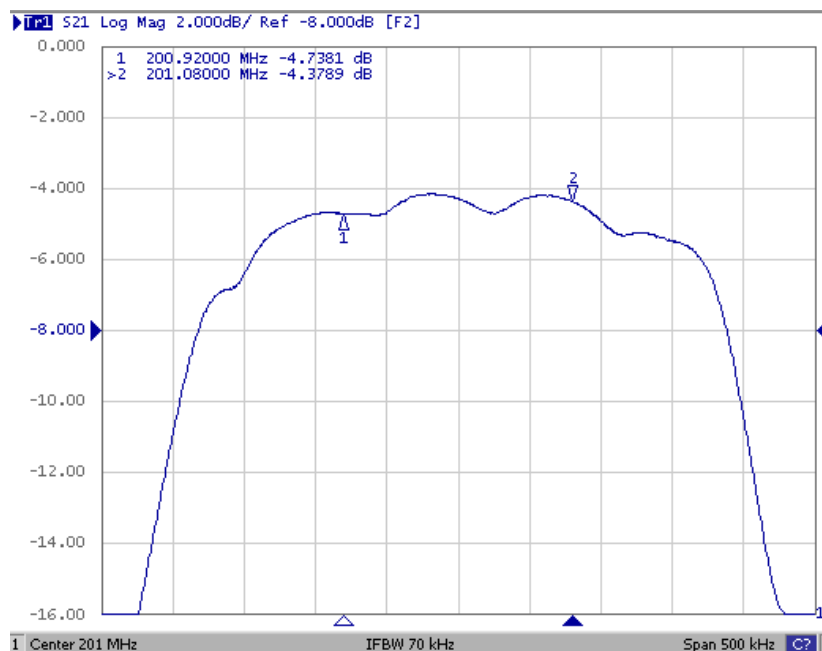


Fig2. Horizontal: 0.05MHz/Div Vertical: 2dB/Div

SAW Filter 201.02MHz
Part No: MP01168

Model: TB0592A
REV NO.: 2

(3) Group Delay response

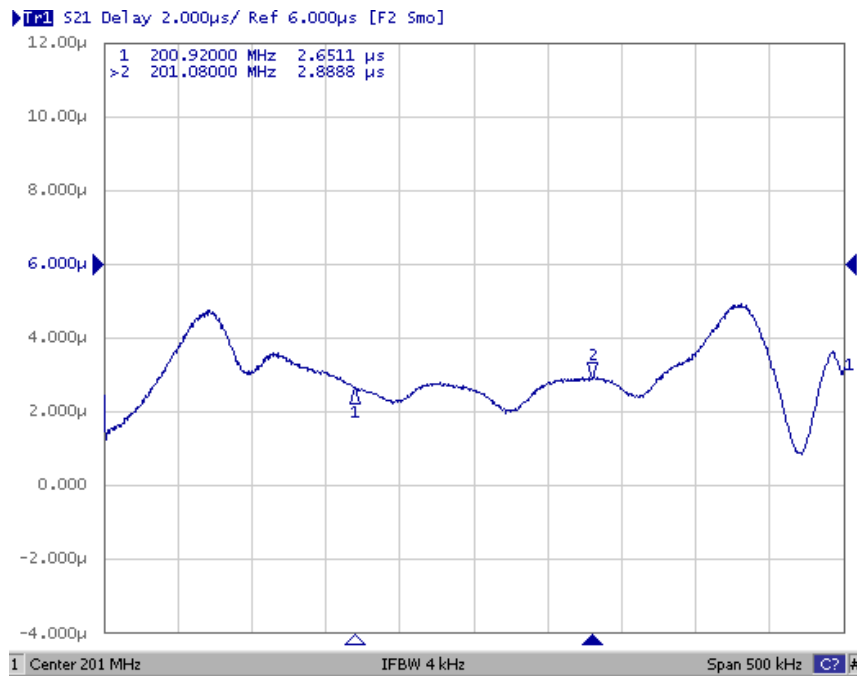


Fig3. Horizontal: 0.05MHz/Div Vertical: 2μs/Div

(4) Wide Band response

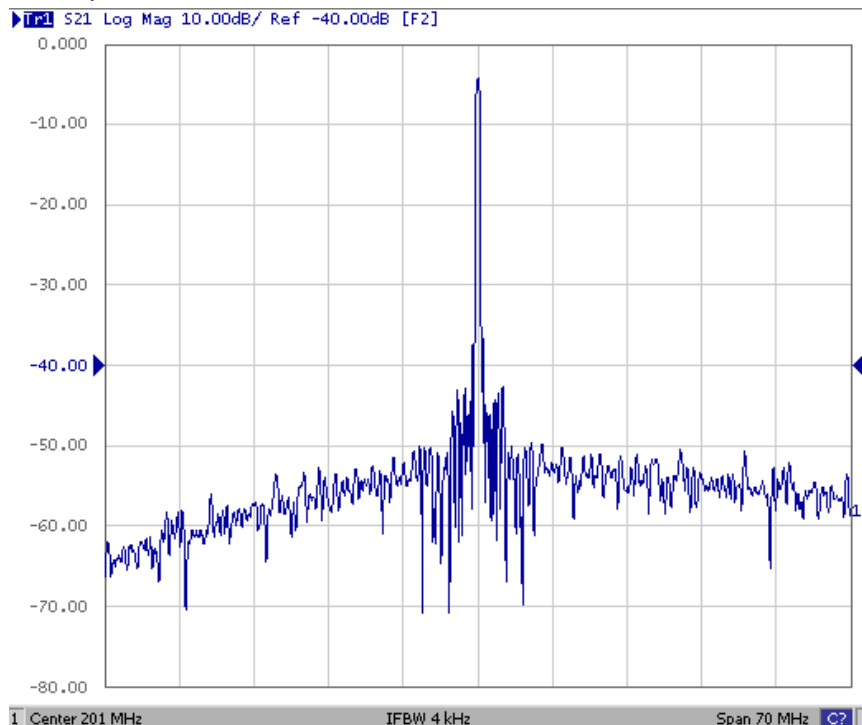


Fig4. Horizontal: 7MHz/Div Vertical: 10dB/Div

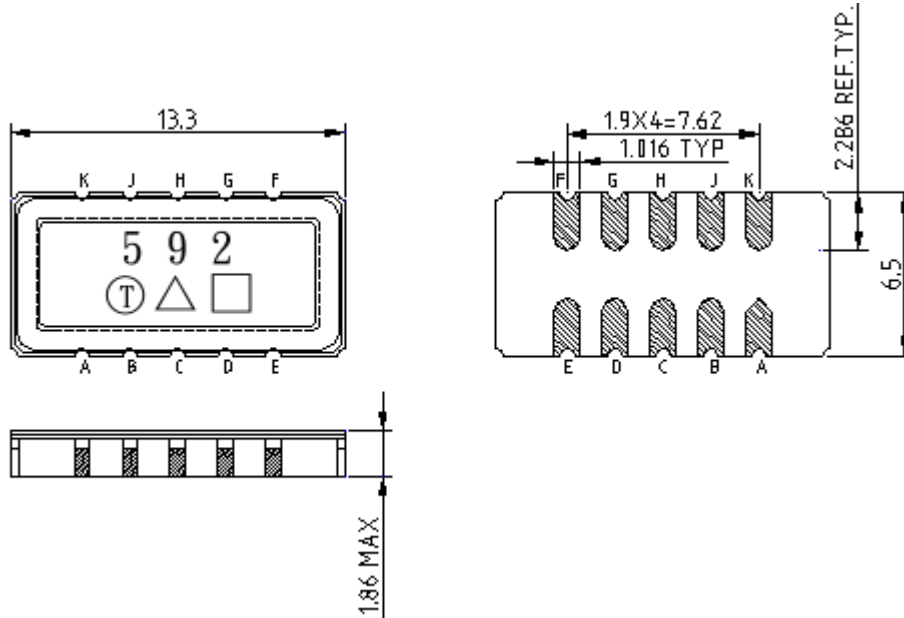
SAW Filter 201.02MHz

Model: TB0592A

Part No: MP01168

REV NO.: 2

D. OUTLINE DRAWING:



- Pin K : RF Input or Balanced input +
 - Pin A : RF Input Ground or Balanced input -
 - Pin E : RF Output or Balanced output +
 - Pin F : RF Output Ground or Balanced output -
 - Pin B,C,D,G,H,J : Ground
- Unit : mm

SAW Filter 201.02MHz

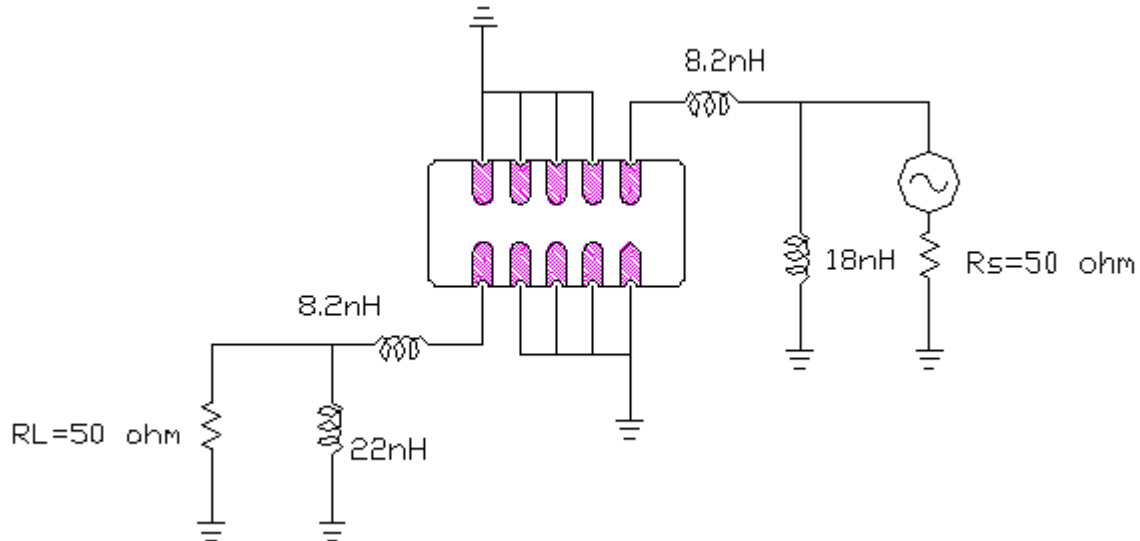
Model: TB0592A

Part No: MP01168

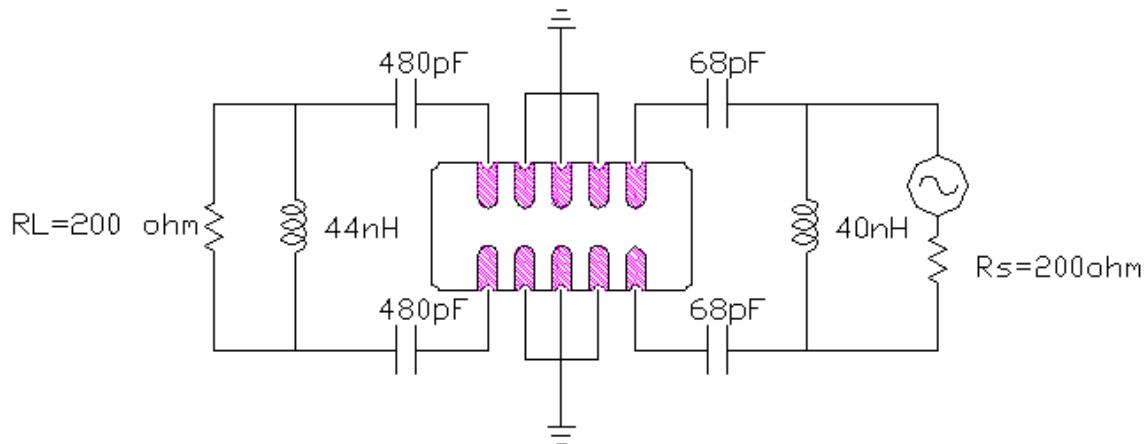
REV NO.: 2

E. MATCHING CIRCUIT:

(1) Single ended input 50 ohm to Single ended output 50 ohm



(2) Balanced input 200 ohm to Balanced output 200 ohm



Note: The matching structure will change according to different test fixture.

SAW Filter 201.02MHz

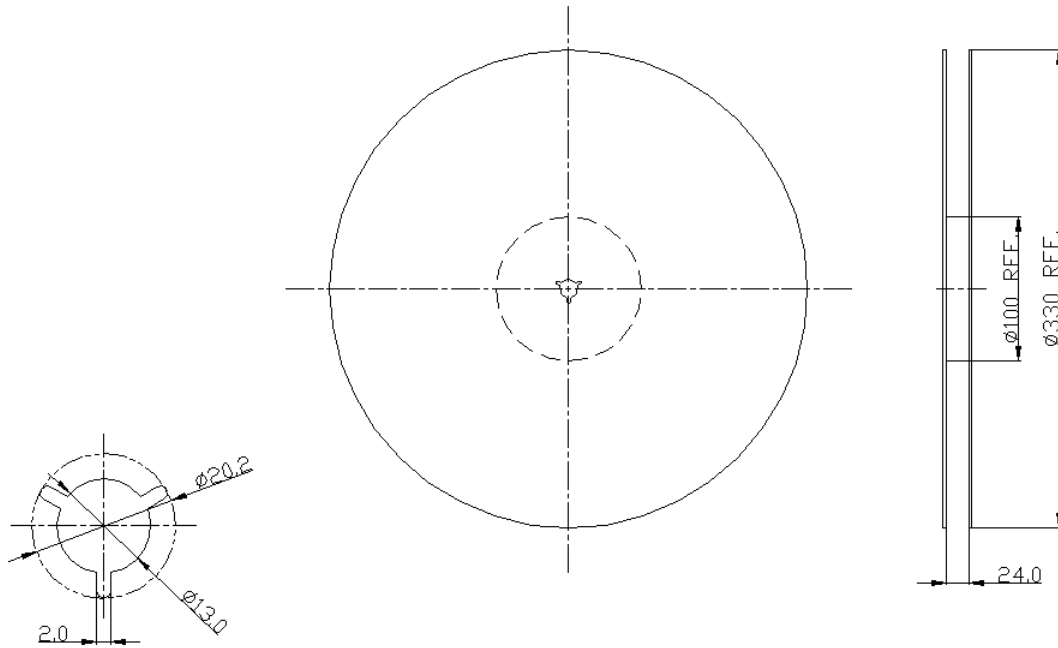
Model: TB0592A

Part No: MP01168

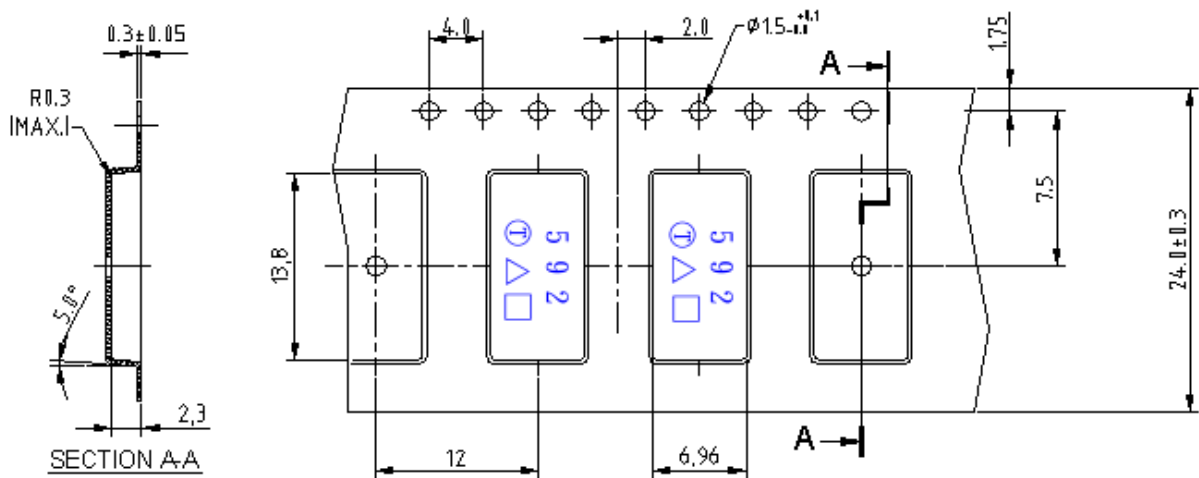
REV NO.: 2

F. PACKING:

(1). REEL DIMENSION



(2). TAPE DIMENSION



SAW Filter 201.02MHz

Model: TB0592A

Part No: MP01168

REV NO.: 2

G. RECOMMENDED REFLOW PROFILE:

