

SAW Filter 1575.420MHz

Model: TA0664A

Part No: MP01198

REV NO.:1

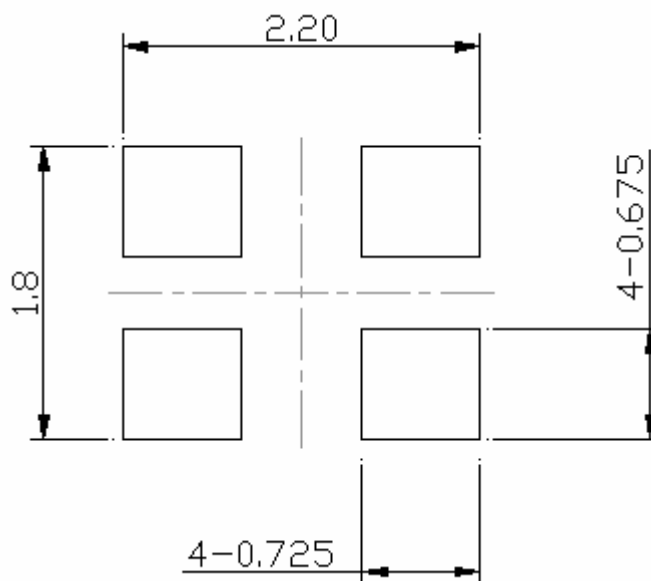
A. MAXIMUM RATING:

1. Input Power Level: 10 dBm (1574.42 ~ 1576.42 MHz)
2. DC voltage: 7.5 V
3. Operating Temperature: -40°C to +85°C
4. Storage Temperature: -40°C to +95°C

B. ELECTRICAL CHARACTERISTICS:

Item	Min.	Typ.	Max.
Center frequency Fc (MHz)	-	1575.42	-
Insertion loss (1574.42~1576.42 MHz) IL (dB)	-	2.8	3.5
Amplitude ripple (1574.42~1576.42 MHz) (dB)	-	0.5	1.5
Attenuation (Reference level from 0 dB)			
1475.42 MHz (dB)	35	55	-
1535.42 MHz (dB)	30	52	-
1615.42 MHz (dB)	30	35	-
1675.42 MHz (dB)	40	64	-
VSWR (1574.42~1576.42 MHz)	-	1.5	2.5
Source impedance Zs (Ω)	-	50	-
Load impedance ZL (Ω)	-	50	-

C. PCB FOOTPRINT:



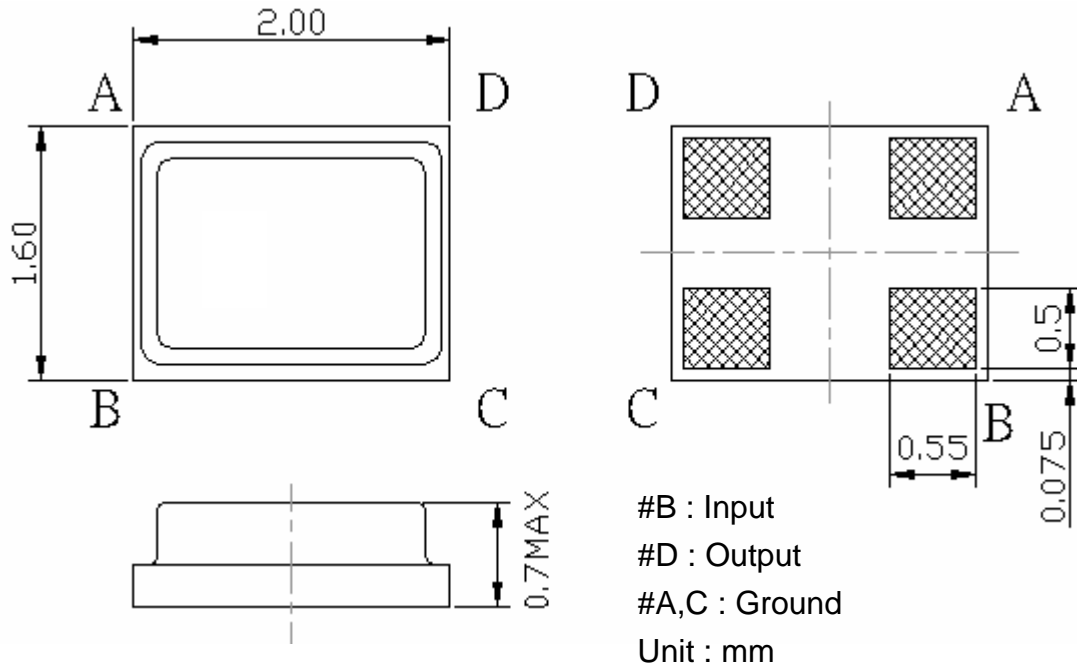
SAW Filter 1575.420MHz

Model: TA0664A

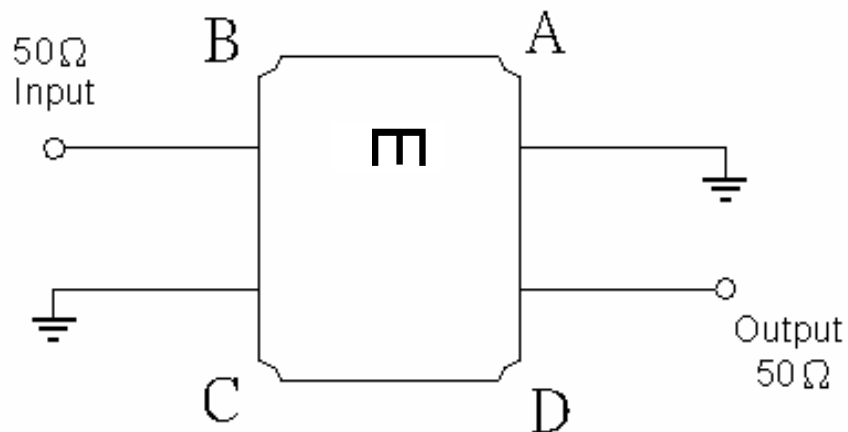
Part No: MP01198

REV NO.:1

D. OUTLINE DRAWING:



E. MEASUREMENT CIRCUIT:

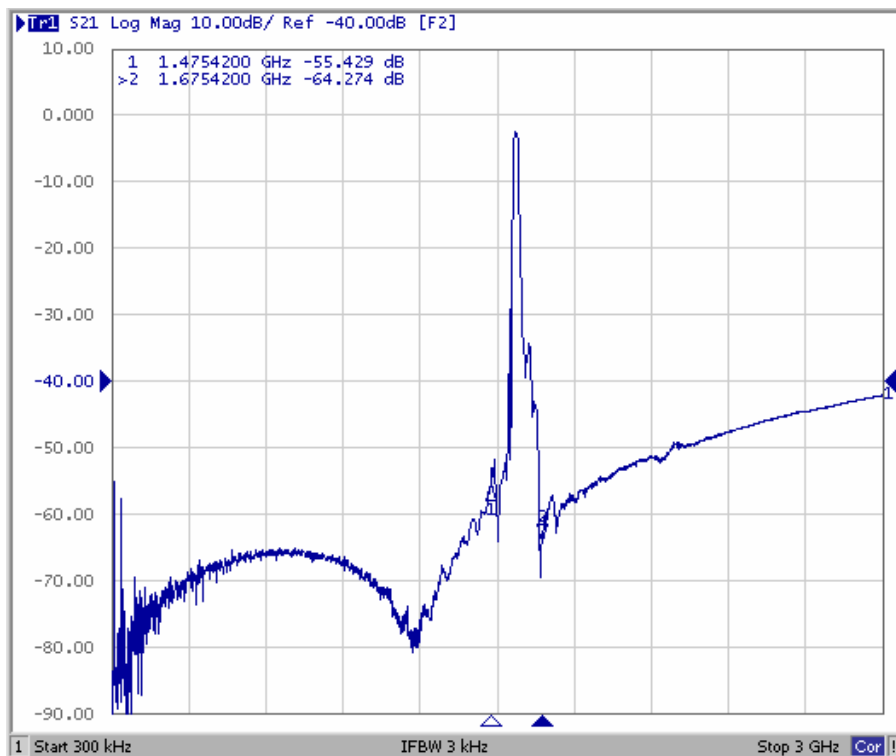
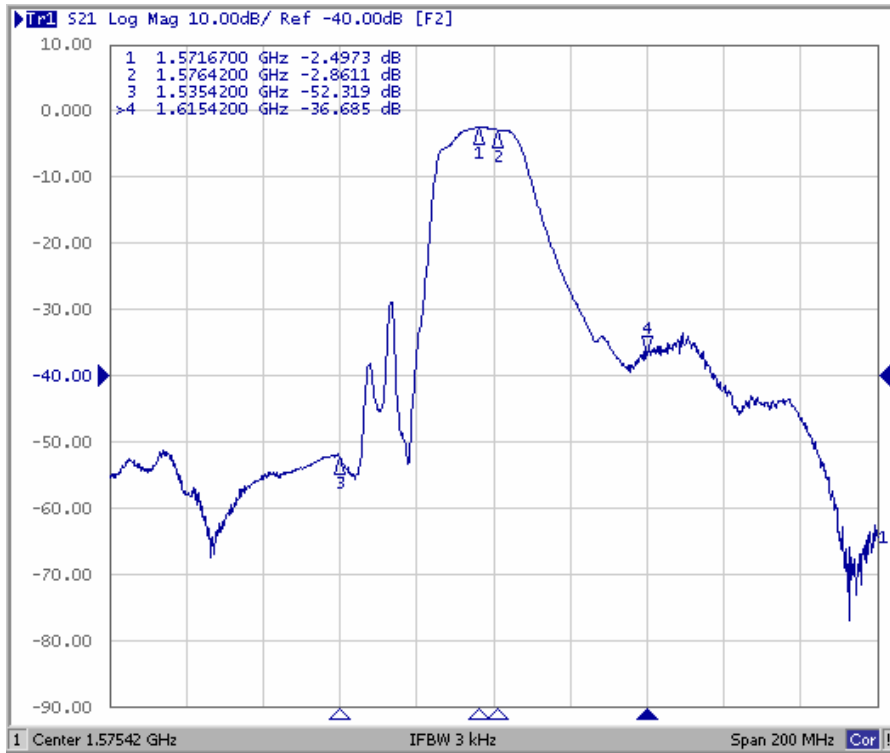


SAW Filter 1575.420MHz
Part No: MP01198

Model: TA0664A
REV NO.:1

F. FREQUENCY CHARACTERISTICS:

Transfer function

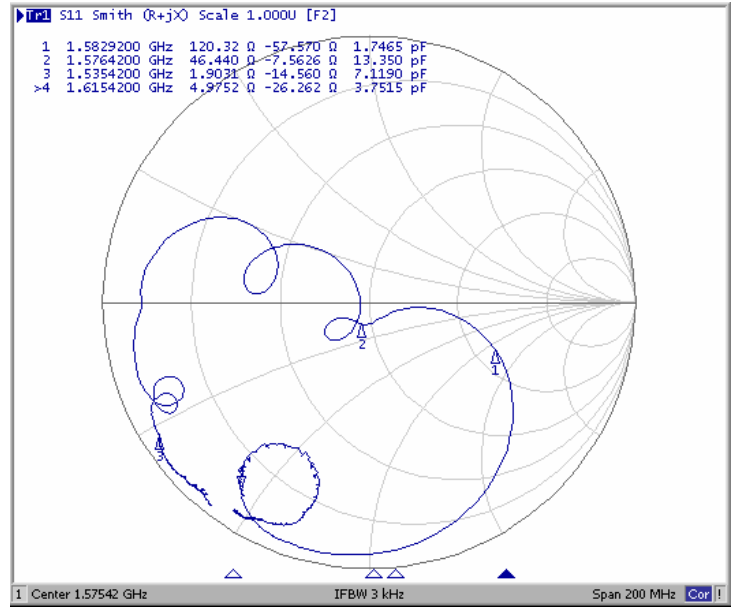
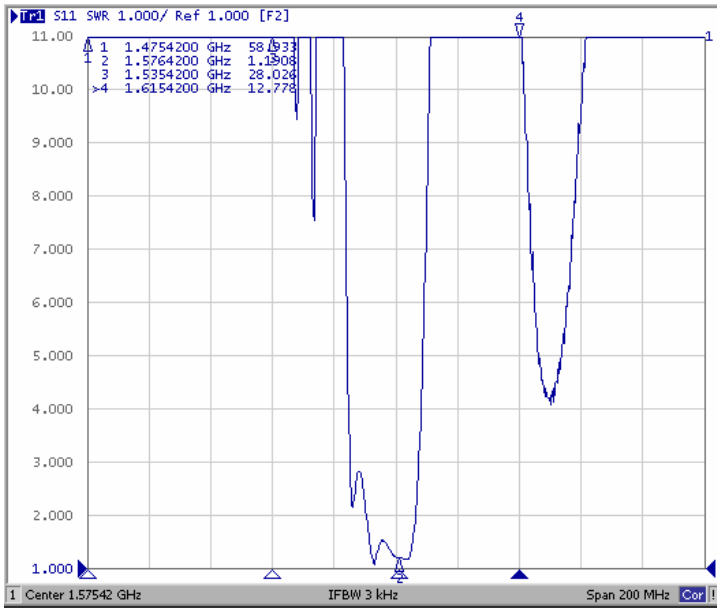


SAW Filter 1575.420MHz
Part No: MP01198

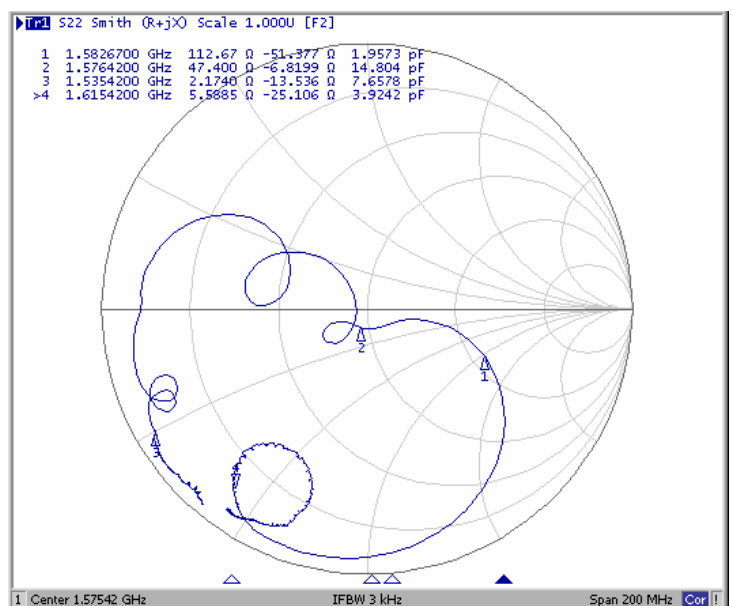
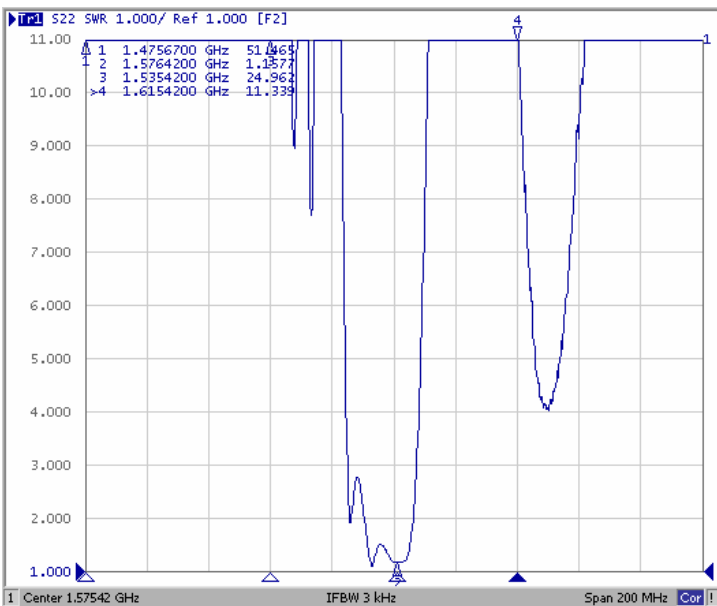
Model: TA0664A
REV NO.:1

Reflections Functions:

S11 VSWR



S22 VSWR



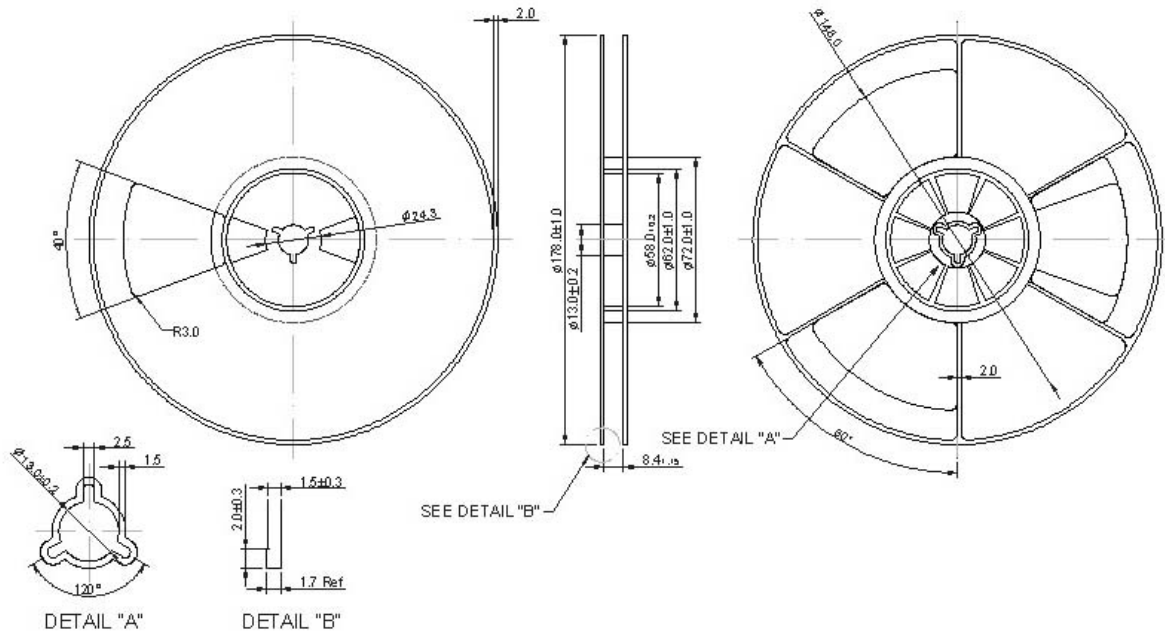
SAW Filter 1575.420MHz
Part No: MP01198

Model: TA0664A
REV NO.:1

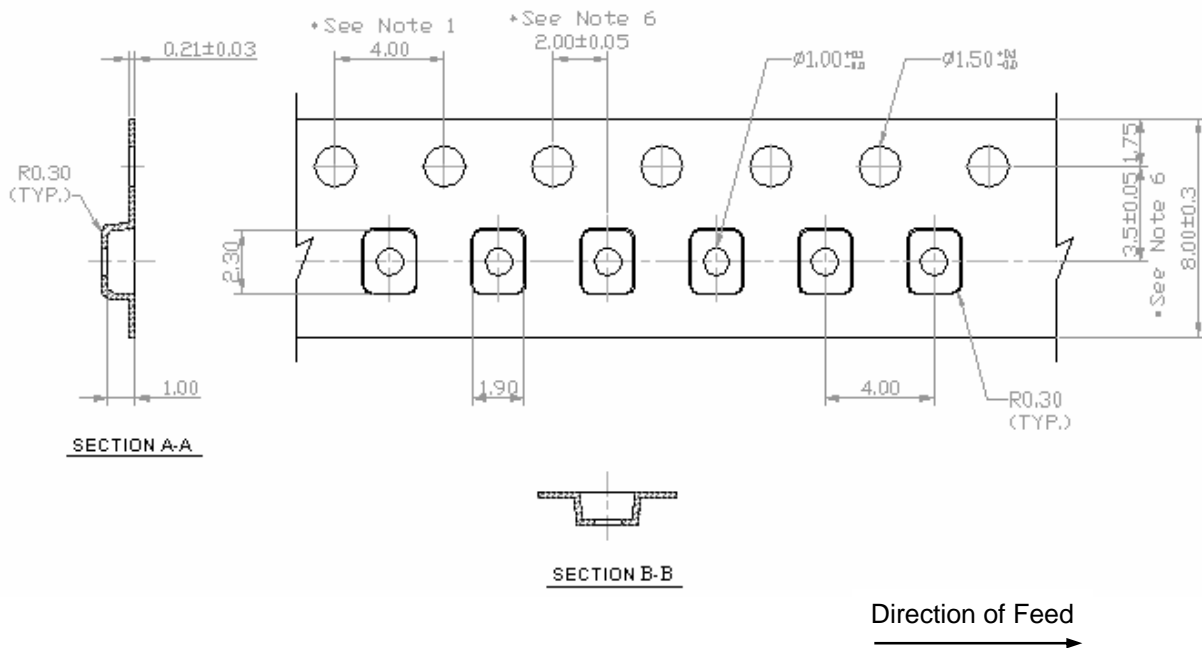
G. PACKING:

1. REEL DIMENSION

(Reel Count : 7"=2000 typ. ; 13"=10000 typ.)



2. TAPE DIMENSION



SAW Filter 1575.420MHz

Model: TA0664A

Part No: MP01198

REV NO.:1

H. RECOMMENDED REFLOW PROFILE:

