

SAW Filter 1486.50MHz
Part No: MP01335

Model: TA0720A
Rev. NO: 2

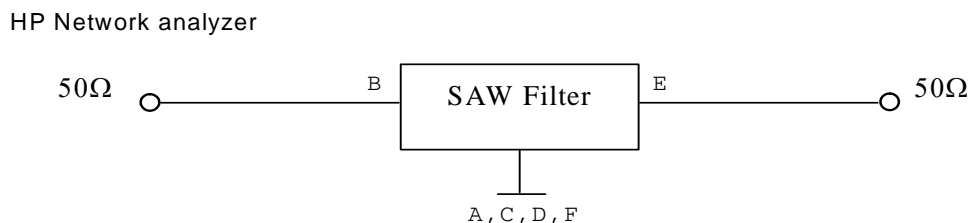
A. MAXIMUM RATING:

1. Input Power Level: 10dBm
2. DC Voltage: 3V
3. Operating Temperature: 0°C to +50°C
4. Storage Temperature: -40°C to +85°C

B. ELECTRICAL CHARACTERISTICS:

| Item | Unit | Min. | Typ. | Max. | Note |
|--|------|------|--------|------|------|
| Center Frequency Fc | MHz | - | 1486.5 | - | - |
| Insertion Loss (1484 ~ 1489MHz) IL | dB | - | 3 | 4 | - |
| Amplitude Ripple (1484 ~ 1489MHz) | dB | - | 0.2 | 1 | - |
| VSWR (1484 ~ 1489MHz) | | - | 1.6 | 2 | - |
| Attenuation (Reference level from 0dB) | | | | | |
| DC ~ 100MHz | dB | 60 | 69 | - | - |
| 1395 ~ 1400MHz | dB | 20 | 48 | - | - |
| 1573 ~ 1578MHz | dB | 20 | 52 | - | - |
| 2881.5 ~ 2886.5MHz | dB | 40 | 43 | - | - |
| 3059.5 ~ 3064.5MHz | dB | 40 | 42 | - | - |

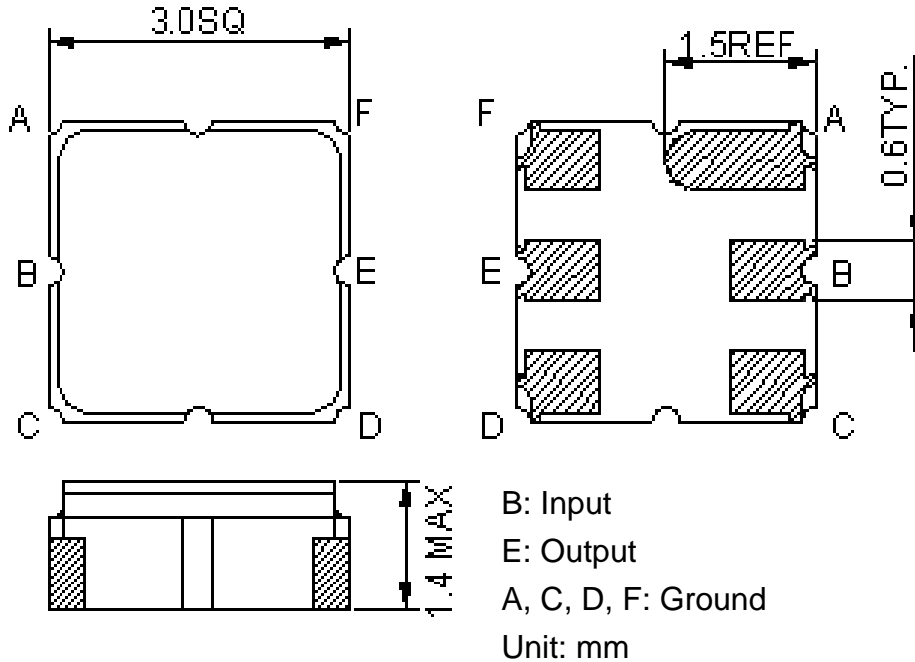
C. MEASUREMENT CIRCUIT:



SAW Filter 1486.50MHz
Part No: MP01335

Model: TA0720A
Rev. NO: 2

D. OUTLINE DRAWING:



Note:

The base material is ceramic with Au over Ni plating.

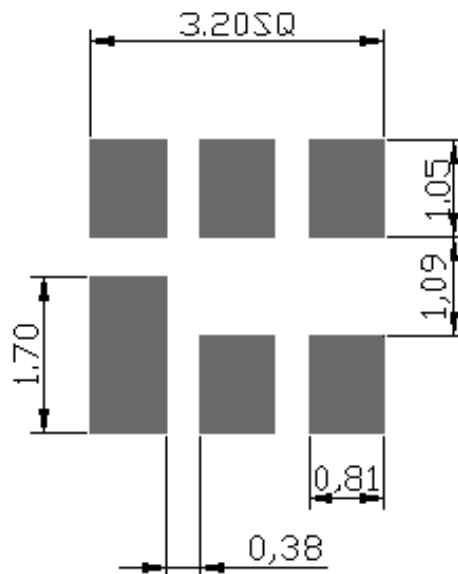
The plating thicknesses are:

Electro Ni: 1.27 ~ 8.89µm.

Electro Au: 0.3 ~ 1.0µm (solder pads only).

0.3µm Min. (Others).

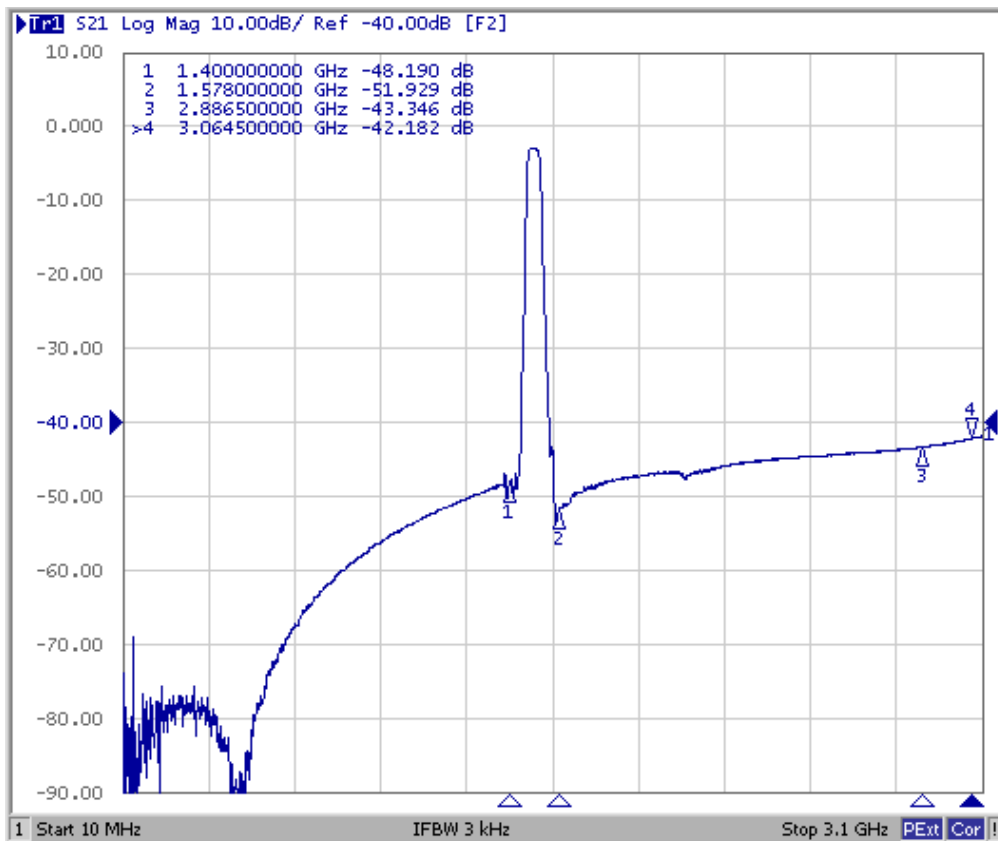
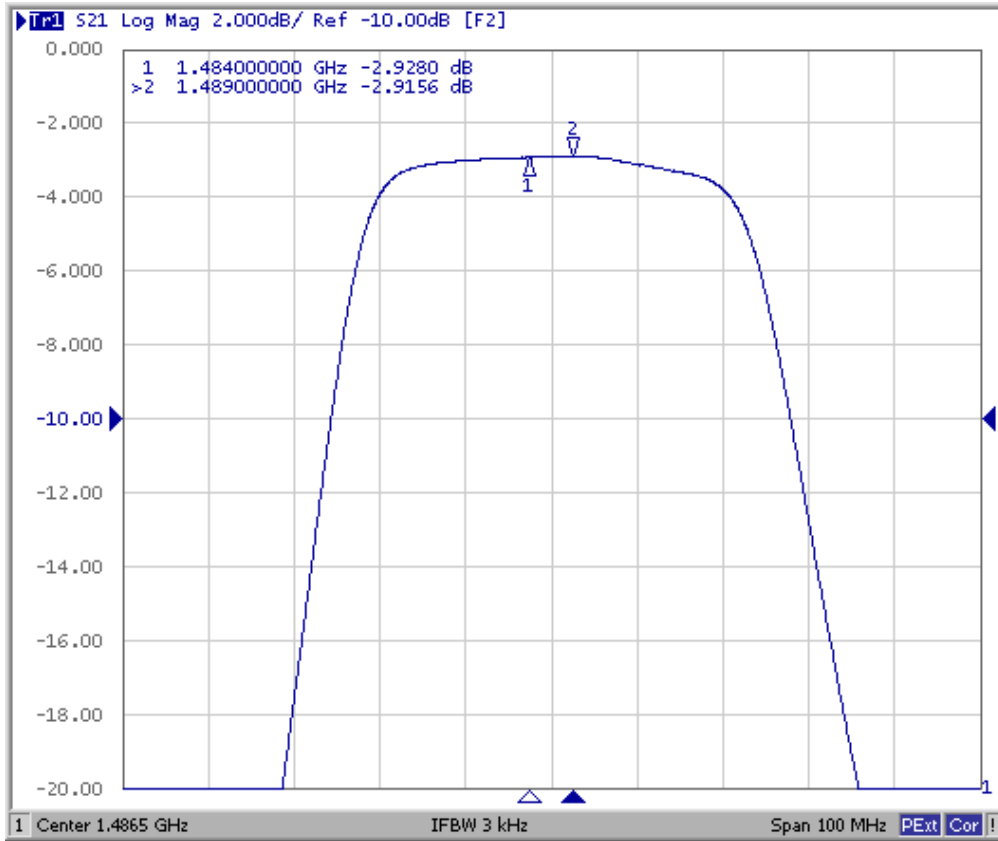
E. PCB FOOTPRINT:



SAW Filter 1486.50MHz
Part No: MP01335

Model: TA0720A
Rev. NO: 2

F. FREQUENCY CHARACTERISTICS:

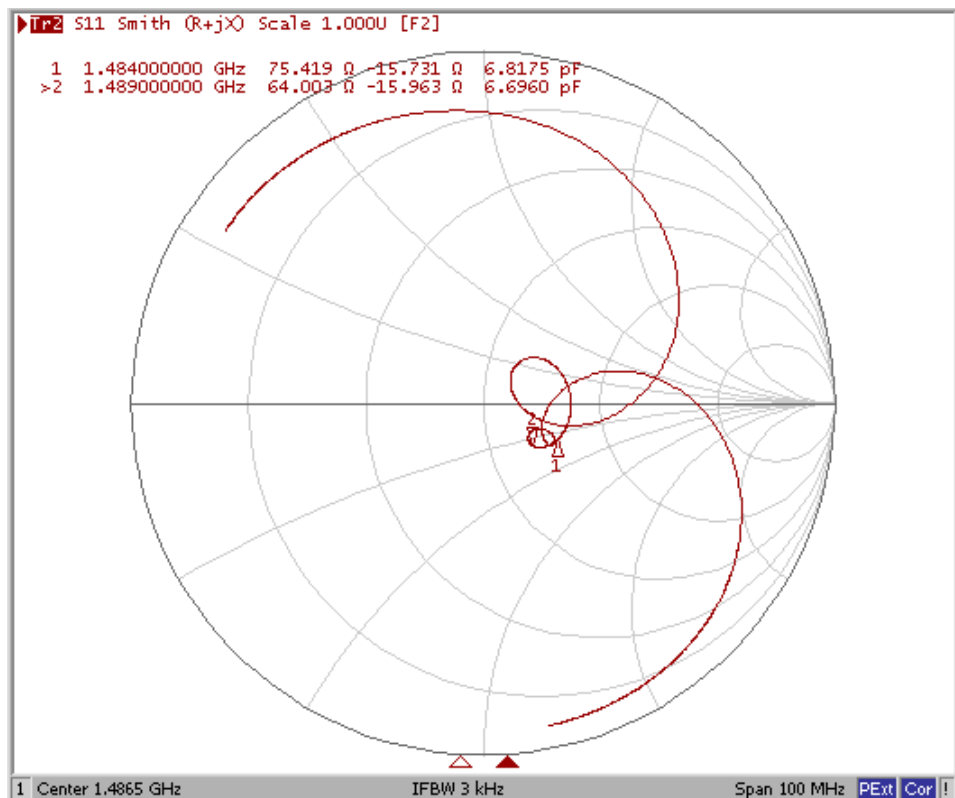
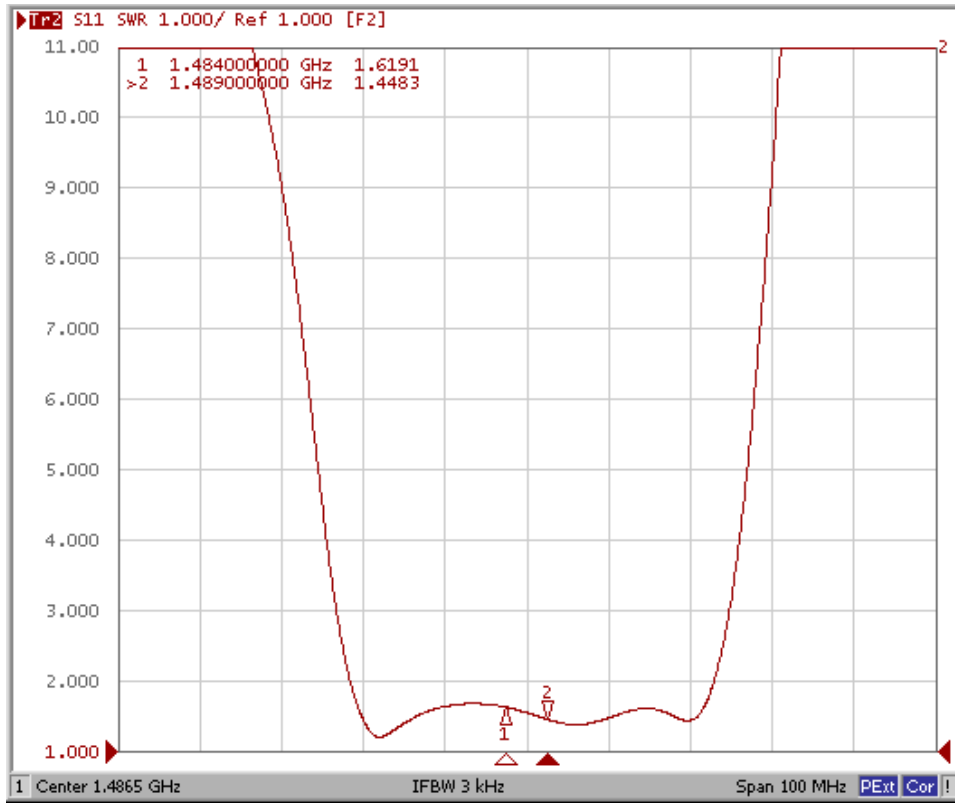


SAW Filter 1486.50MHz
Part No: MP01335

Model: TA0720A
Rev. NO: 2

Reflection Functions

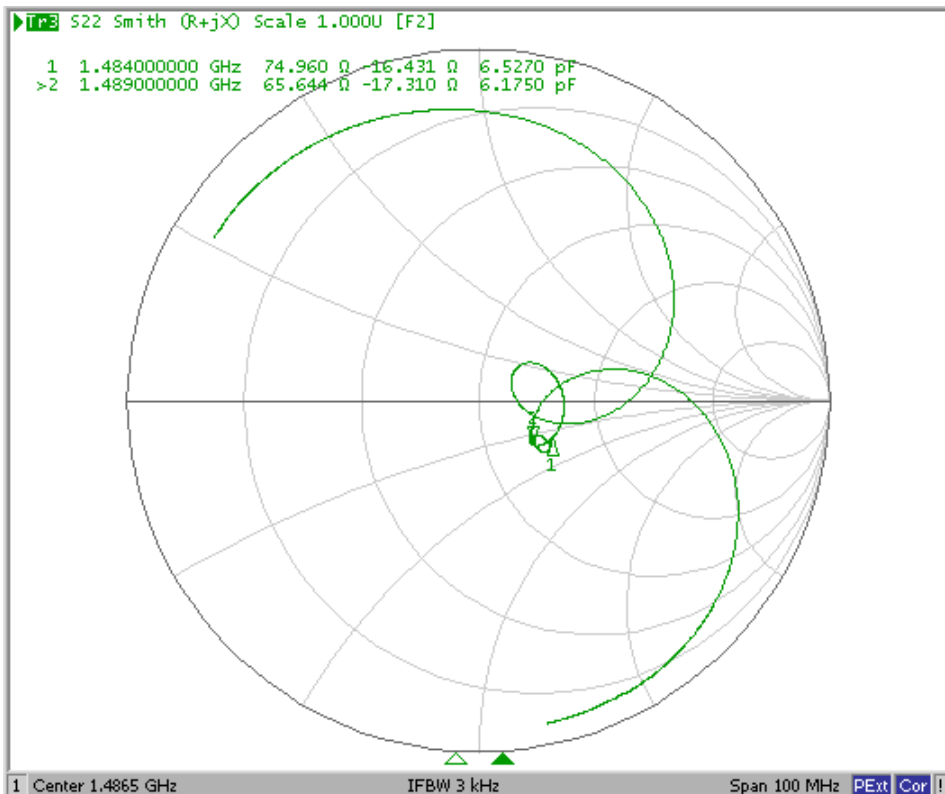
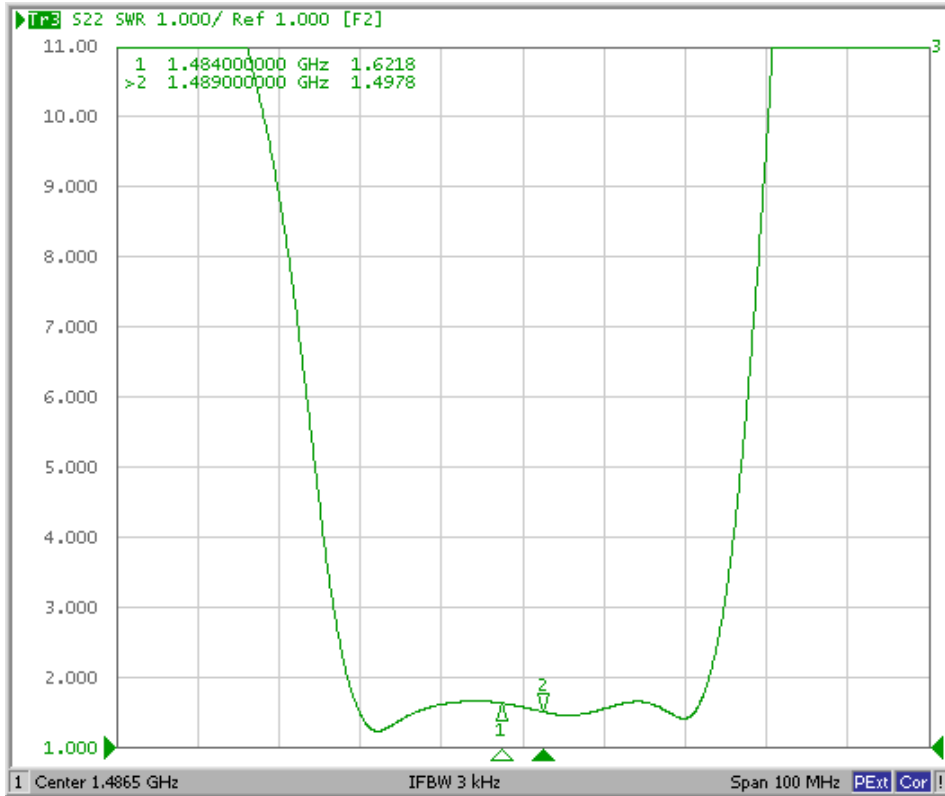
S11



SAW Filter 1486.50MHz
Part No: MP01335

Model: TA0720A
Rev. NO: 2

S22

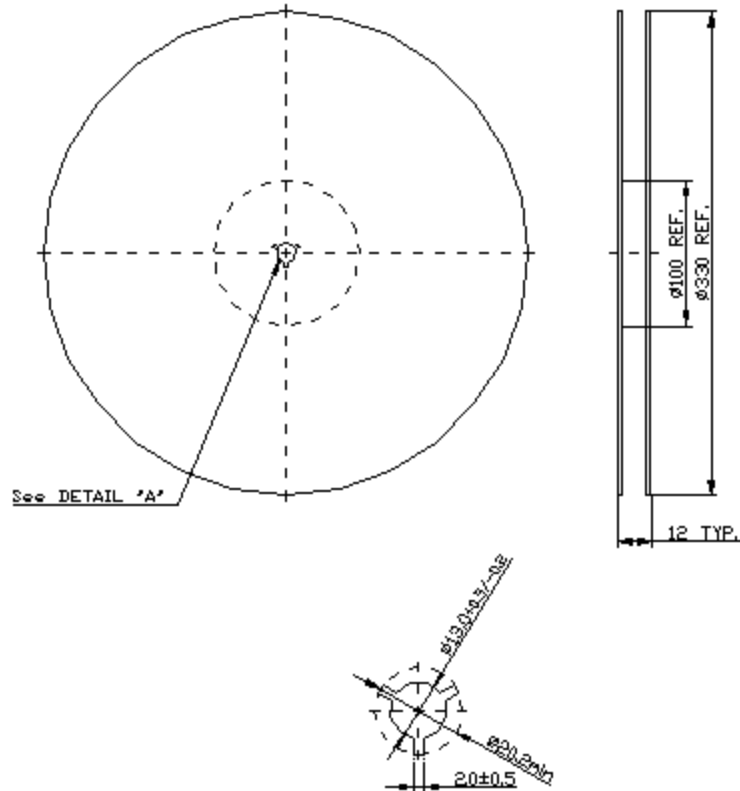


SAW Filter 1486.50MHz
Part No: MP01335

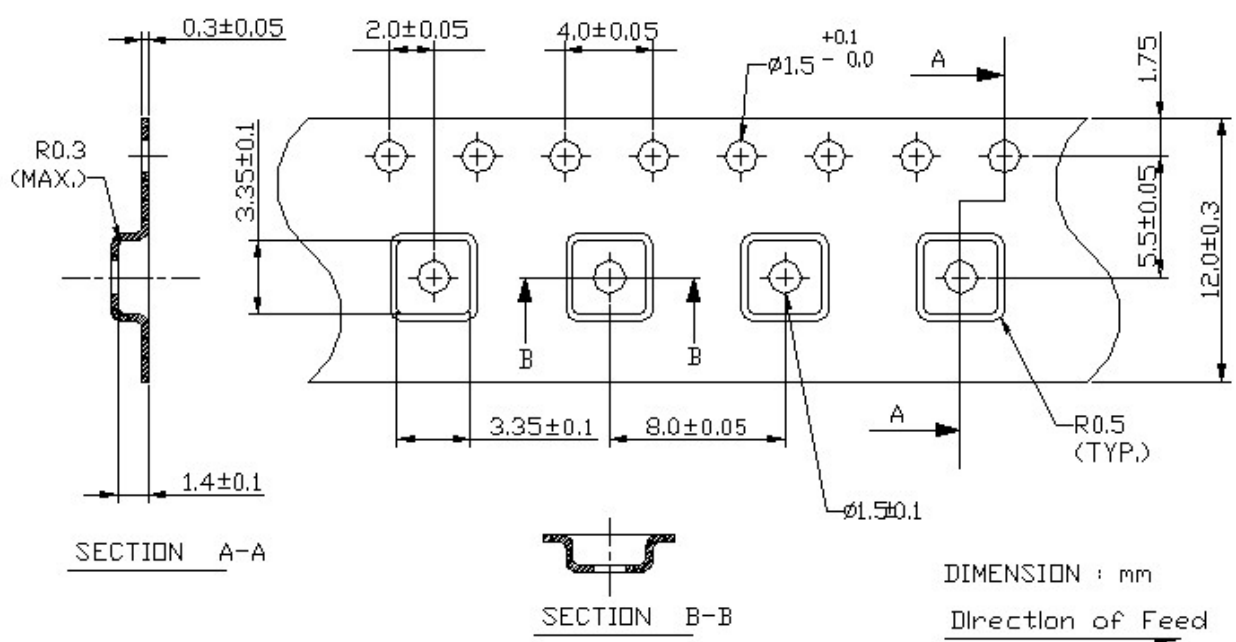
Model: TA0720A
Rev. NO: 2

G. PACKING:

1. Reel Dimension (Reel Count: 7" = 1000; 13" = 3000)



2. Tape Dimension



SAW Filter 1486.50MHz
Part No: MP01335

Model: TA0720A
Rev. NO: 2

H. RECOMMENDED REFLOW PROFILE:

